

[54] **COMPARTMENTED TRAY FOR DRAFTING SUPPLIES**

[76] Inventor: **Richard W. Chatham**, P.O. Box 6361,
Greensboro, N.C. 27405

[**] Term: **14 Years**

[21] Appl. No.: **277,938**

[22] Filed: **Jun. 26, 1981**

[51] Int. Cl. **D19-02**

[52] U.S. Cl. **D19/77; D3/74;**
D9/347; D19/78; D19/79; D19/85

[58] Field of Search **D19/75, 77-80,**
D19/82-86, 90, 92; 206/214, 216, 224, 371;
D9/347; D3/30.1, 74

[56]

References Cited

U.S. PATENT DOCUMENTS

D. 201,716	7/1965	Franklin	D19/92
D. 213,933	4/1969	Folkman	D9/347
D. 241,226	8/1976	Chatham	D9/347
D. 262,977	2/1982	Ferris	D19/75
D. 264,225	5/1982	Hermes	D19/77

Primary Examiner—George P. Word
Attorney, Agent, or Firm—Charles R. Rhodes; Judith G. Smith

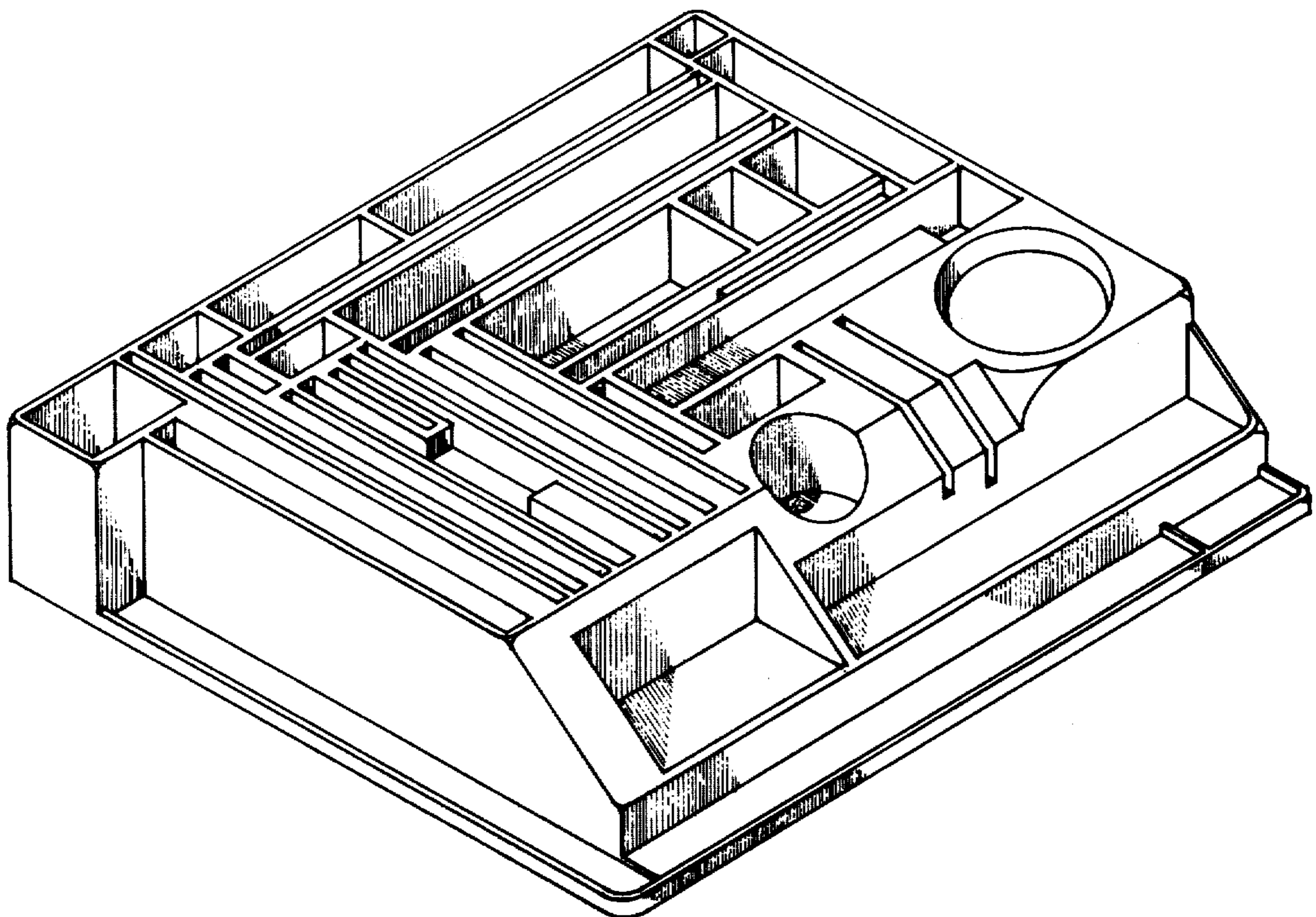
[57]

CLAIM

The ornamental design for a compartmented tray for drafting supplies, as shown and described.

DESCRIPTION

The sole FIGURE is a perspective view of a compartmented tray for drafting supplies showing my new design, the opposite side wall, rear wall and bottom being plain and unornamented.



U.S. Patent

Jul. 19, 1983

Des. 269,791

