

- [54] **BAG FILLING DEVICE**
[75] Inventor: **Jerry W. Cramer**, Upland, Calif.
[73] Assignee: **Sunkist Growers, Inc.**, Sherman Oaks, Calif.
[**] Term: **14 Years**
[21] Appl. No.: **230,734**
[22] Filed: **Feb. 2, 1981**
[51] Int. Cl. **D15—99**
[52] U.S. Cl. **D15/145**
[58] Field of Search **D15/145; 53/385, 570-572, 53/390**

- 3,468,100 9/1969 Rubel 53/572
3,727,374 4/1973 Williams 53/572
3,864,894 2/1975 Sheetz et al. 53/385
4,322,932 4/1982 McGregor D15/199

Primary Examiner—B. J. Bullock
Attorney, Agent, or Firm—Paul A. Weilein

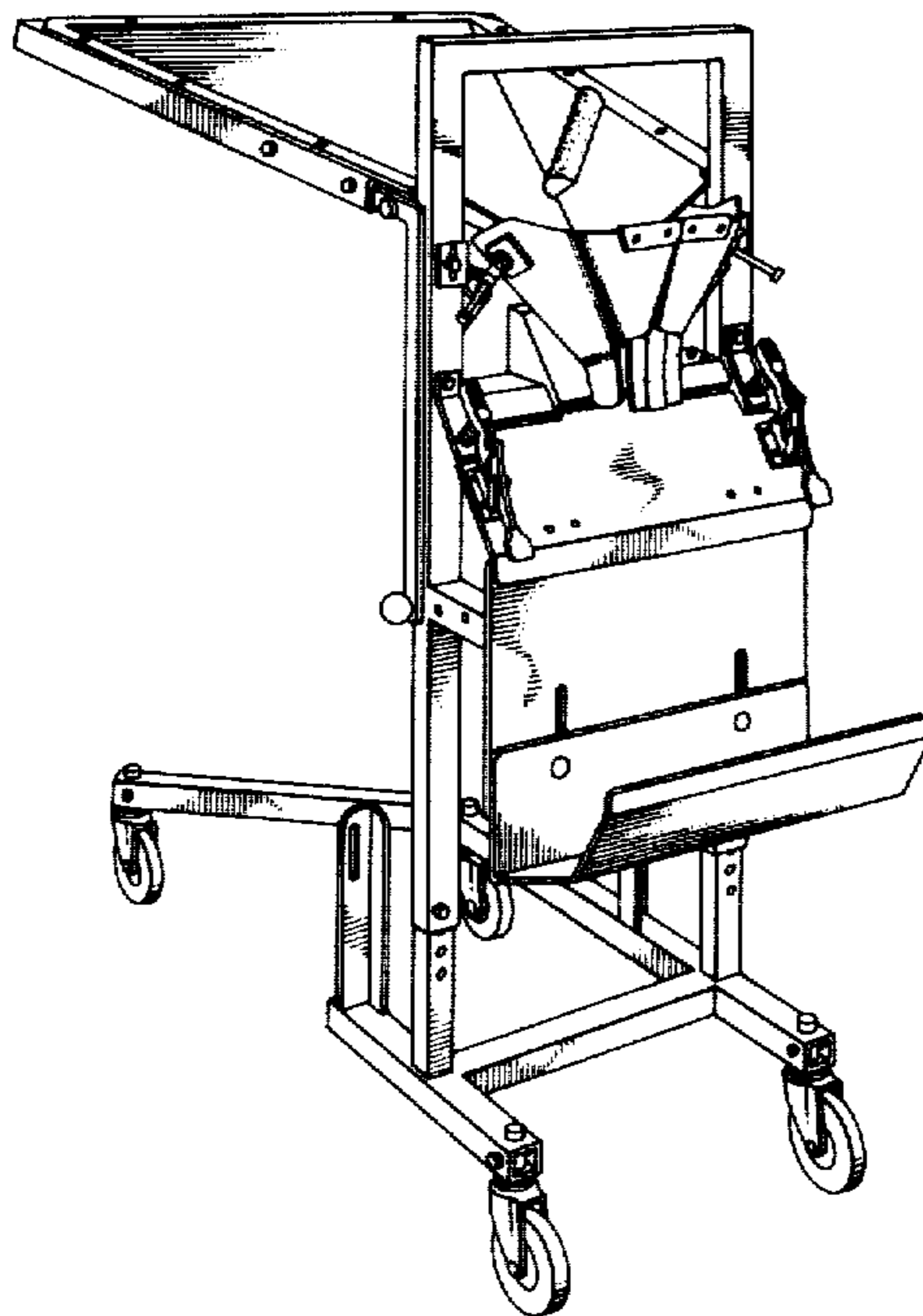
[57] **CLAIM**

The ornamental design for a bag filling device, as shown.

DESCRIPTION

FIG. 1 is a perspective view showing my new design for a bag filling device, as seen from the left side; FIG. 2 is a front elevational view; FIG. 3 is an elevational view taken from the right of FIG. 1; FIG. 4 is a rear elevational view. FIG. 5 is a top plan view; and FIG. 6 is a bottom plan view.

- [56] **References Cited**
U.S. PATENT DOCUMENTS
2,830,687 4/1958 Baker 53/390



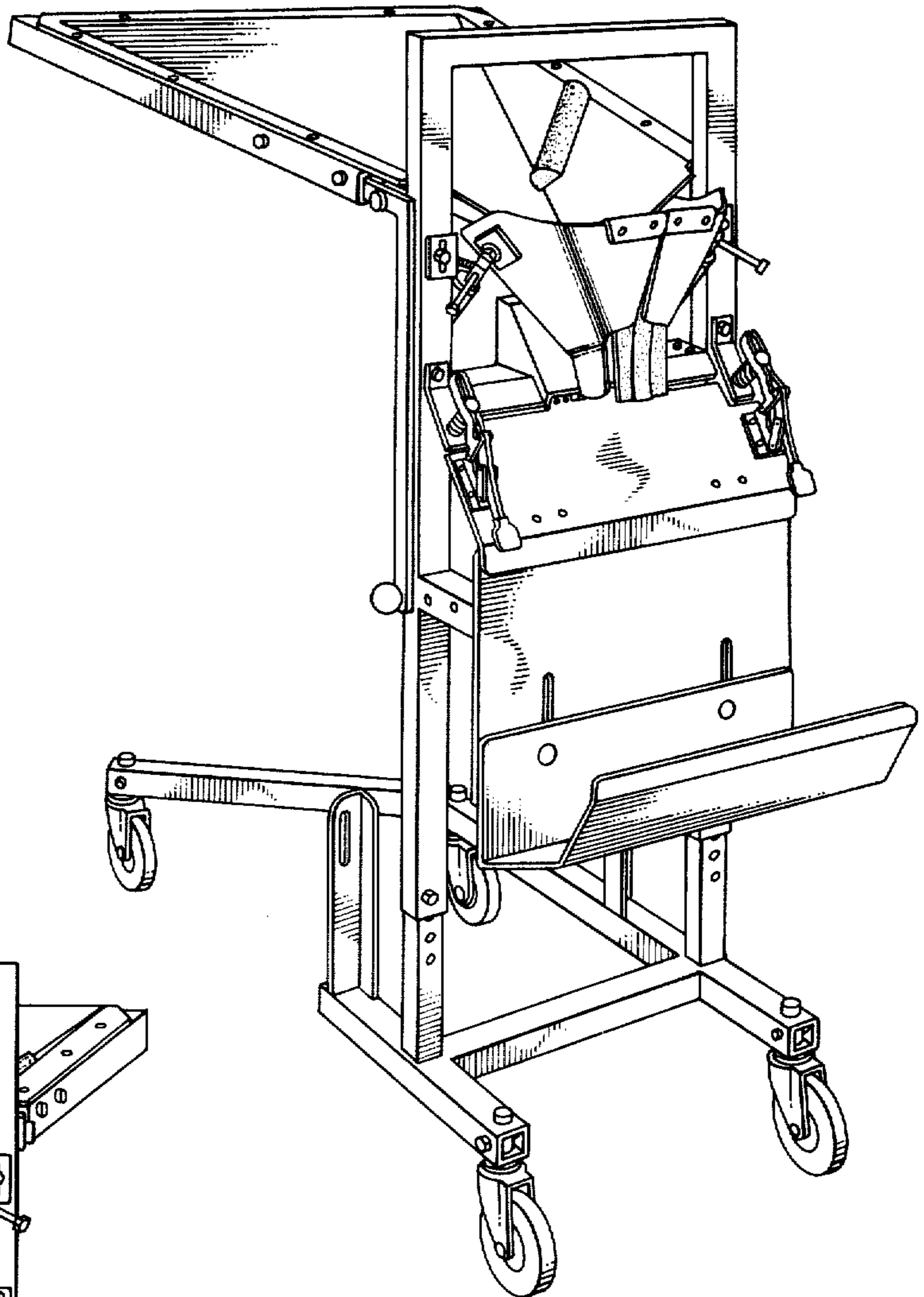


FIG. 1.

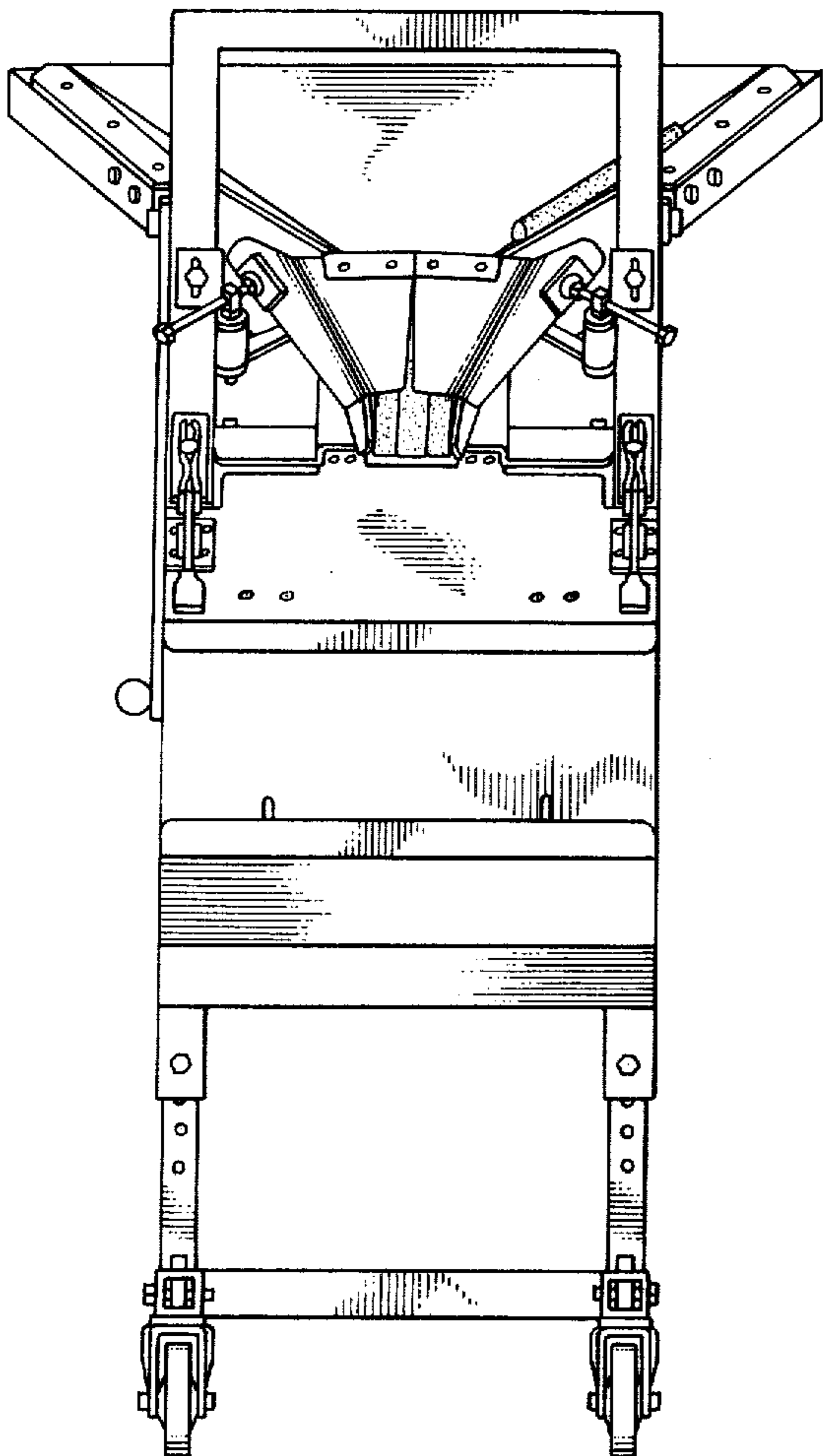


FIG. 2.

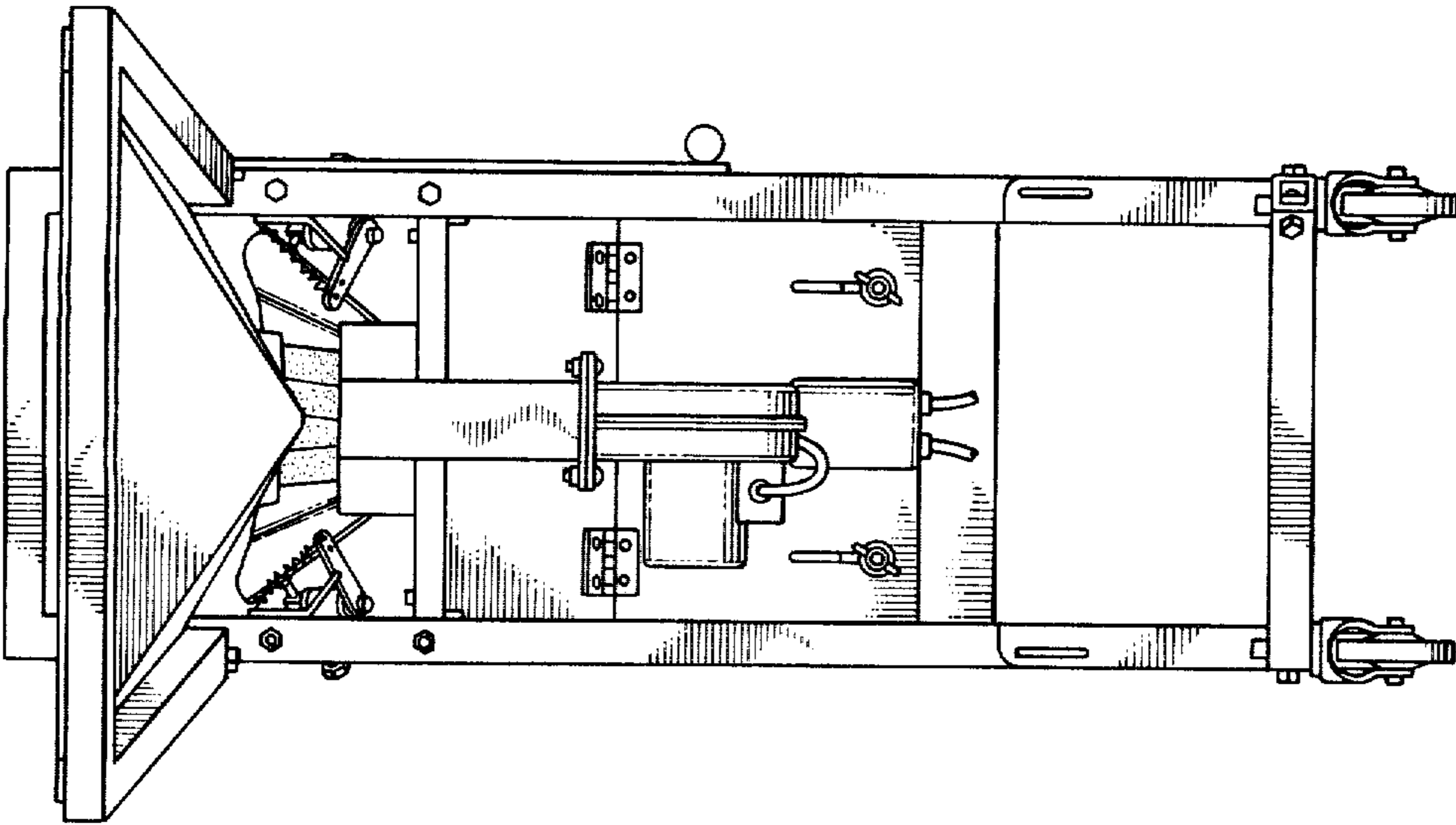


FIG. 4.

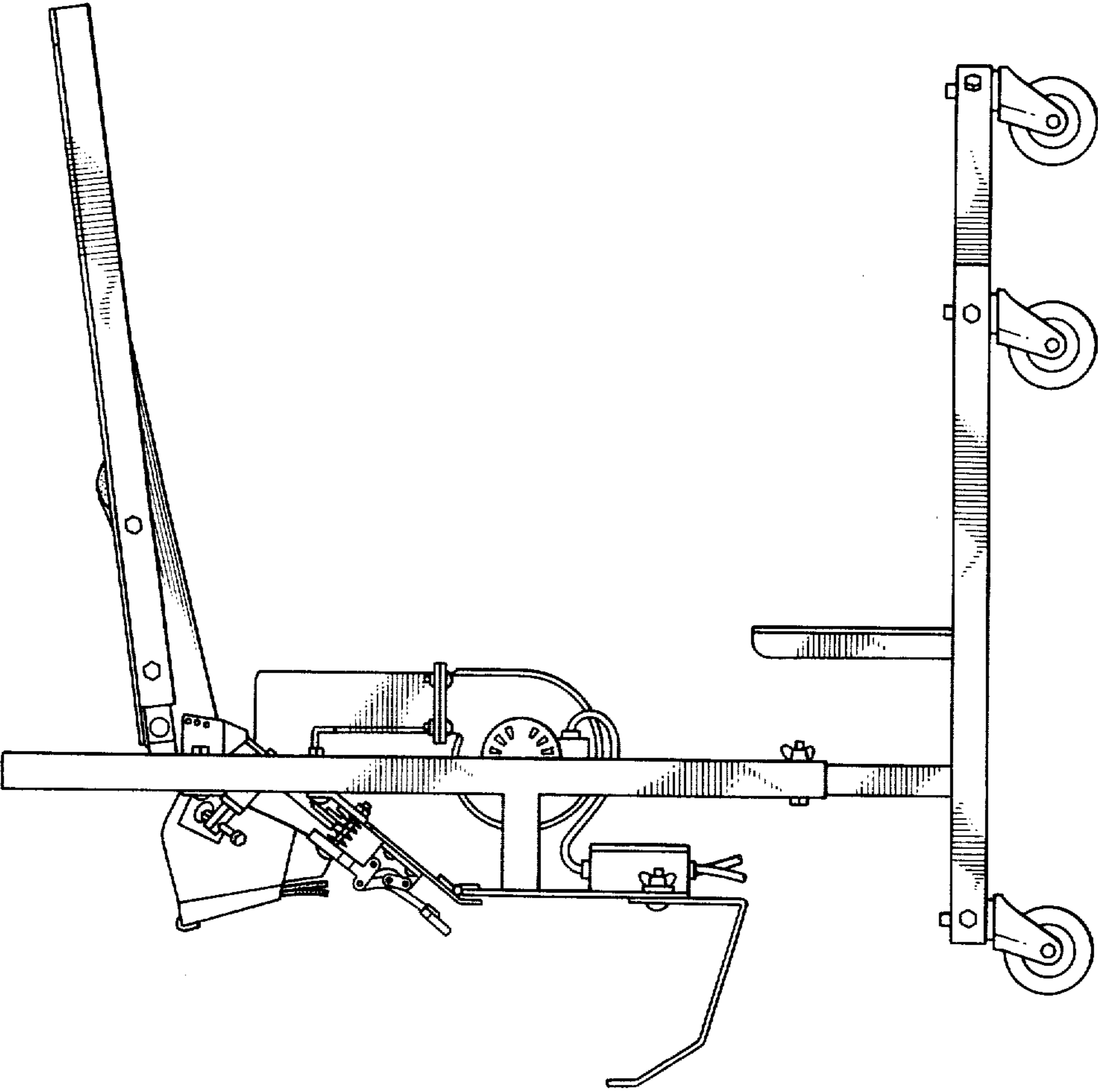


FIG. 3.

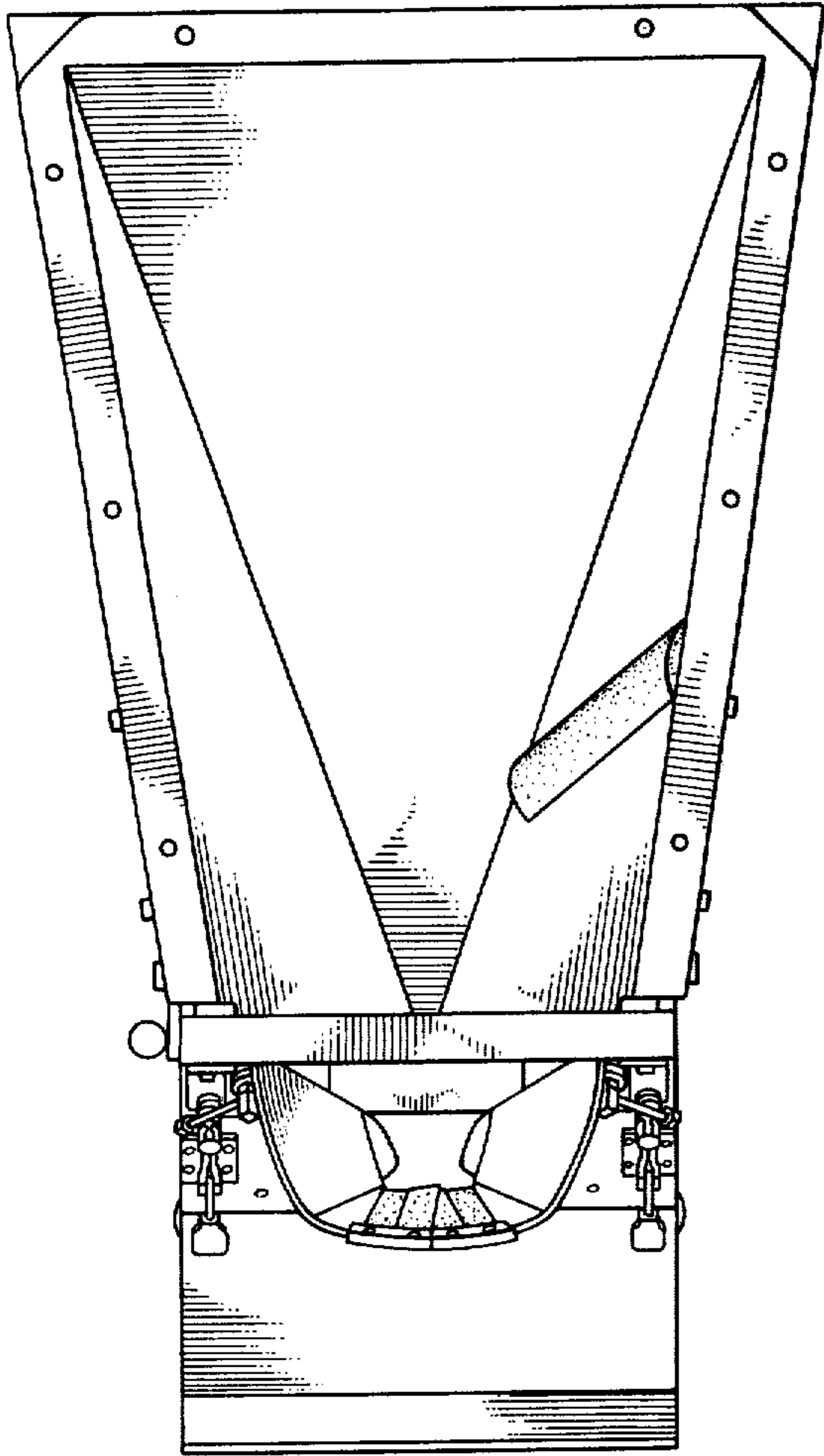


FIG. 5.

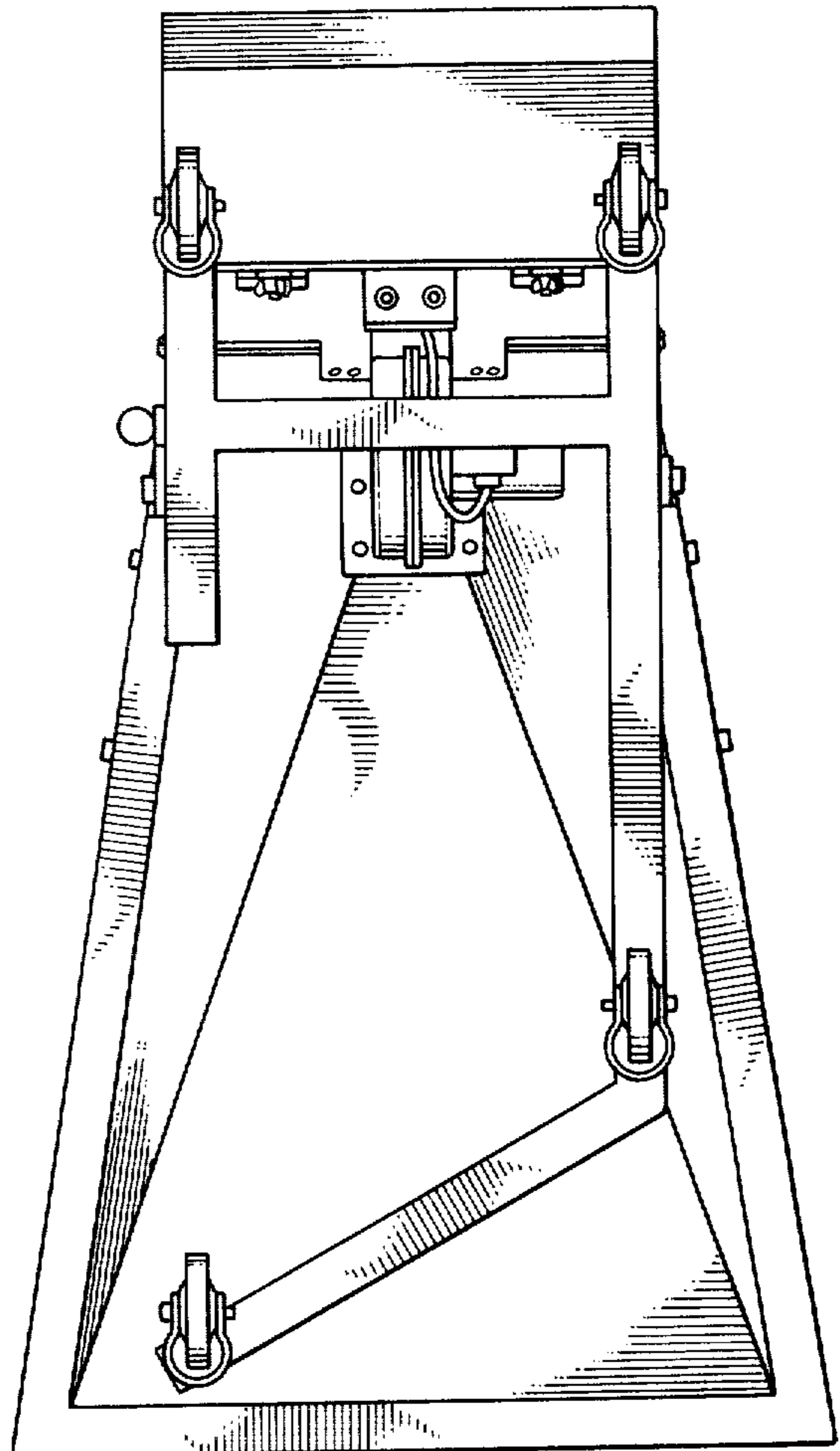


FIG. 6.