

[54] **BEARING HOUSING**

[75] **Inventor:** Sture Ostling, Katrineholm, Sweden

[73] **Assignee:** AB SKF, Gothenburg, Sweden

[**] **Term:** 14 Years

[21] **Appl. No.:** 225,852

[22] **Filed:** Jan. 16, 1981

[51] **Int. Cl.** D15-99

[52] **U.S. Cl.** D15/143

[58] **Field of Search** D15/143; 384/266, 267,
384/434

[56]

References Cited

U.S. PATENT DOCUMENTS

D. 32,591 4/1900 Pessano D15/143

D. 32,813 6/1900 Pessano D15/143
752,349 2/1904 Martin et al. 384/434
3,476,450 11/1969 Grange et al. 384/434
3,989,323 11/1976 Lambert 384/434

Primary Examiner—B. J. Bullock

Attorney, Agent, or Firm—Eugene E. Renz, Jr.

[57] **CLAIM**

The ornamental design for bearing housing, substantially as shown and described.

DESCRIPTION

FIG. 1 is a end elevational view of my design for a bearing housing;

FIG. 2 is a top plan view thereof;

FIG. 3 is a bottom plan view thereof;

FIG. 4 is a side elevational view thereof; and

FIG. 5 is a perspective view thereof.

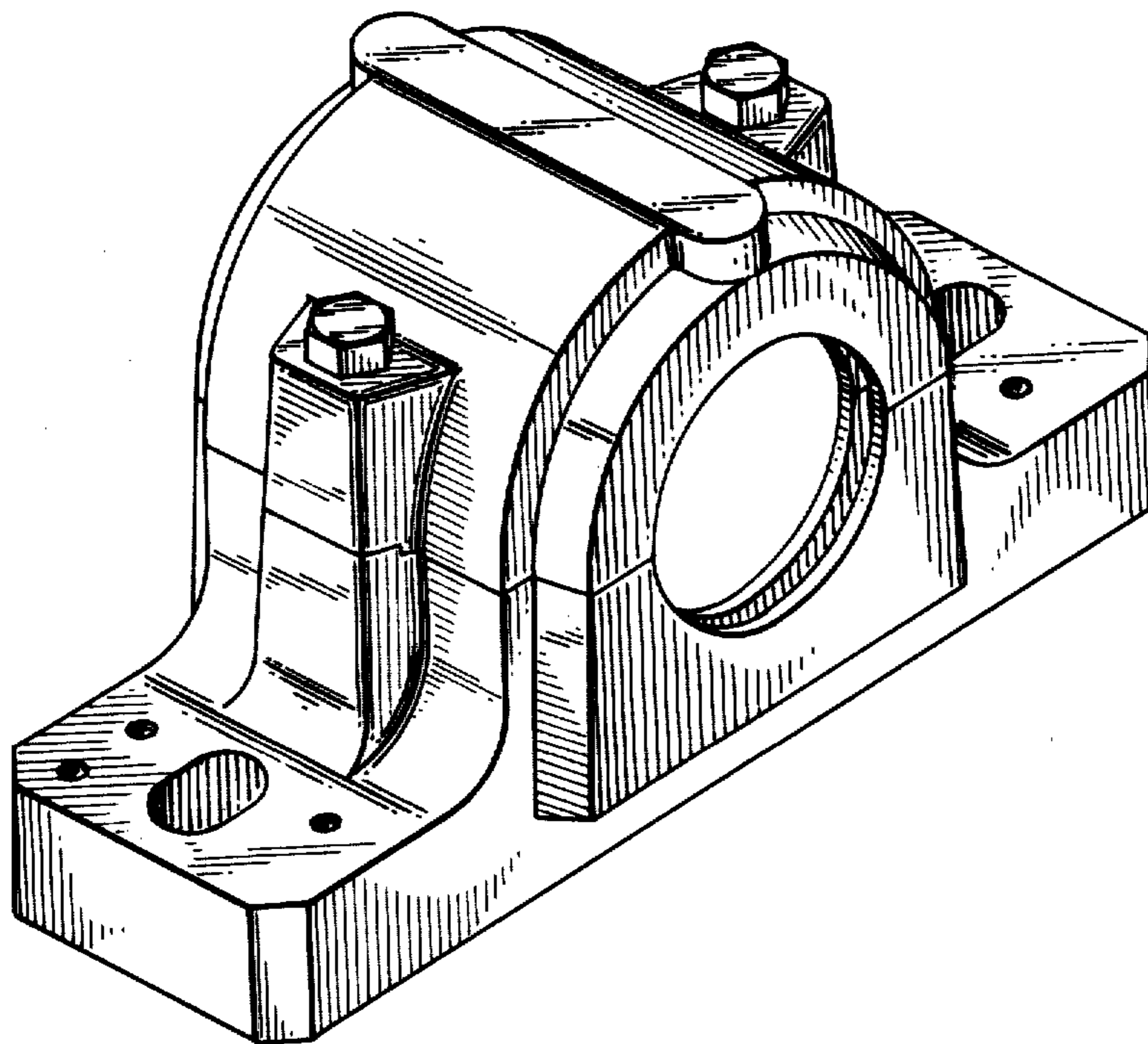


Fig. 2.

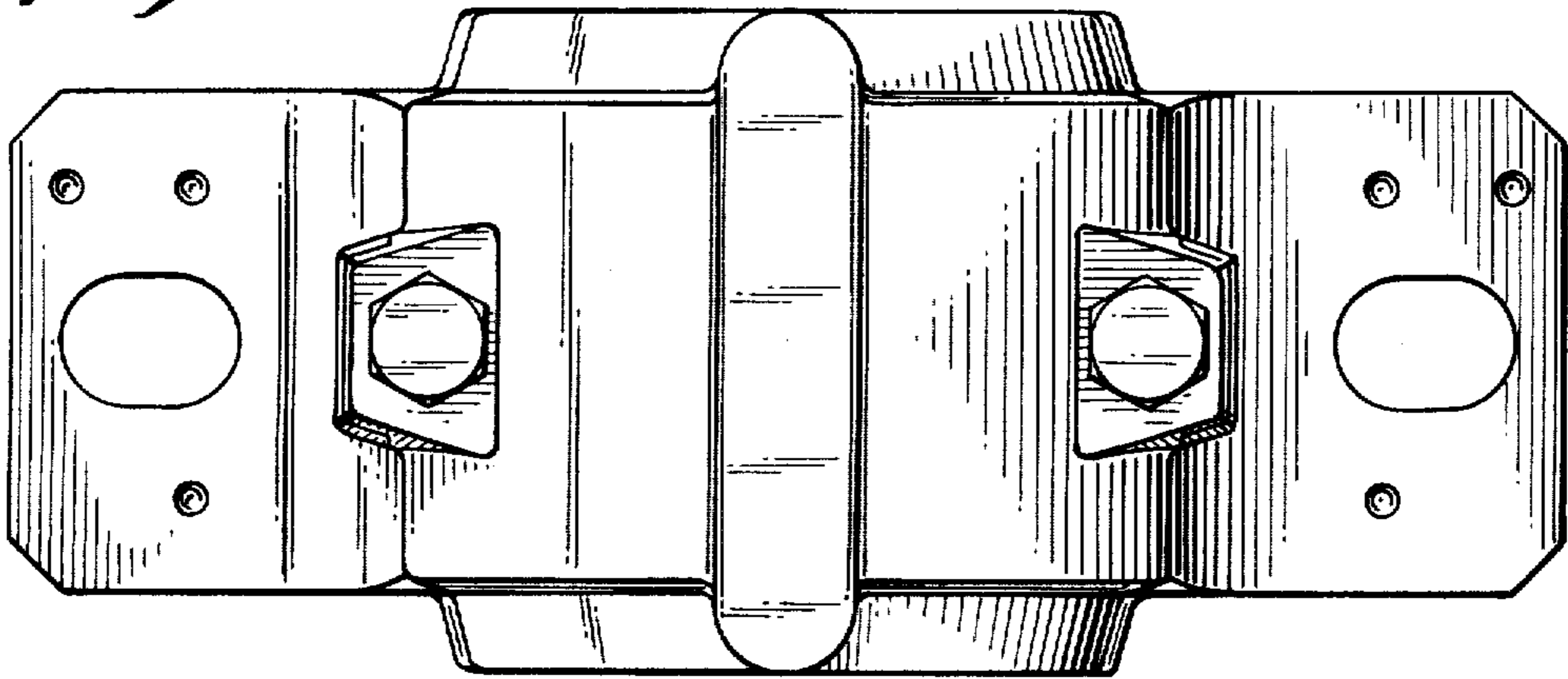


Fig. 1.

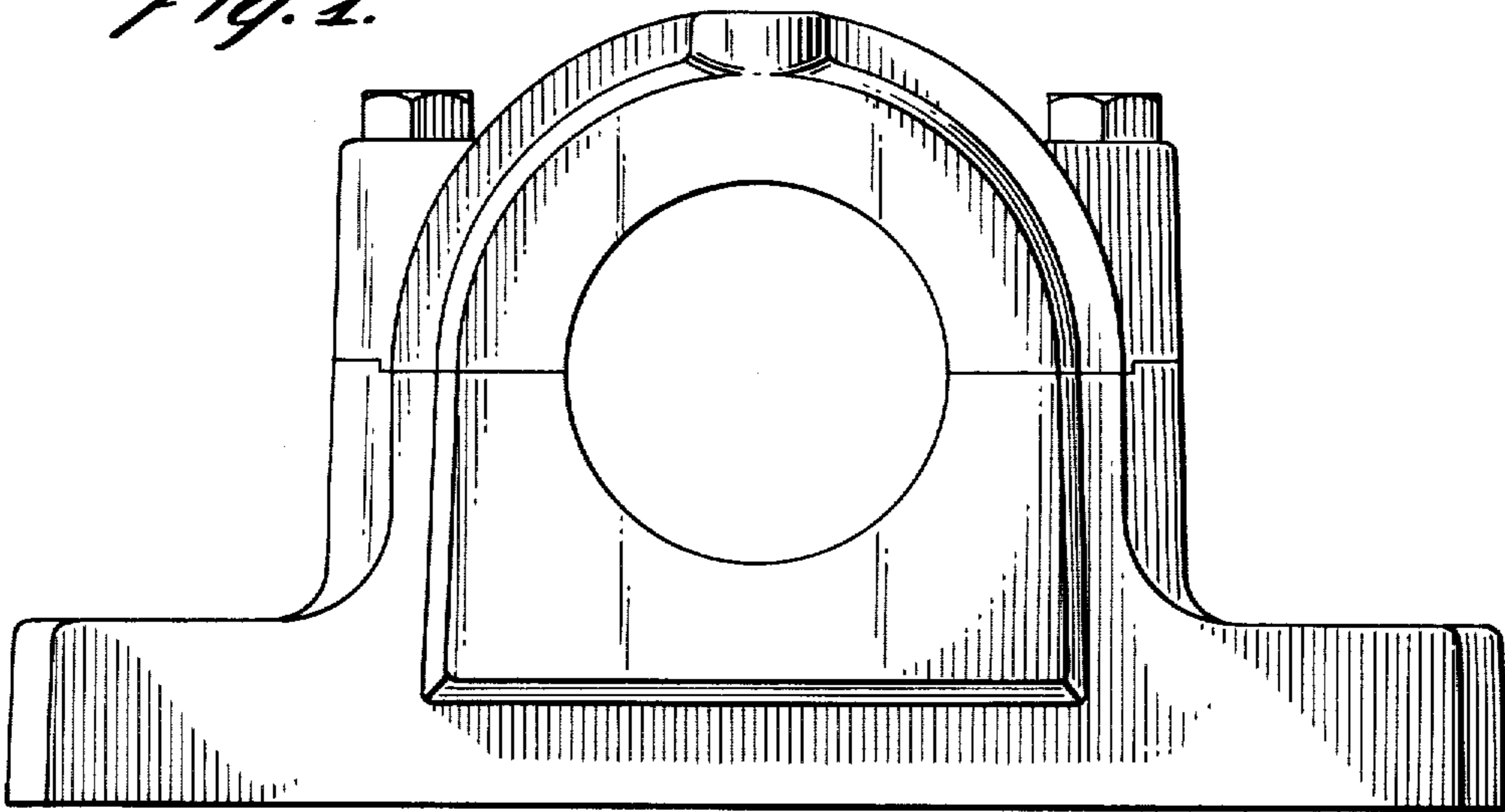


Fig. 3.

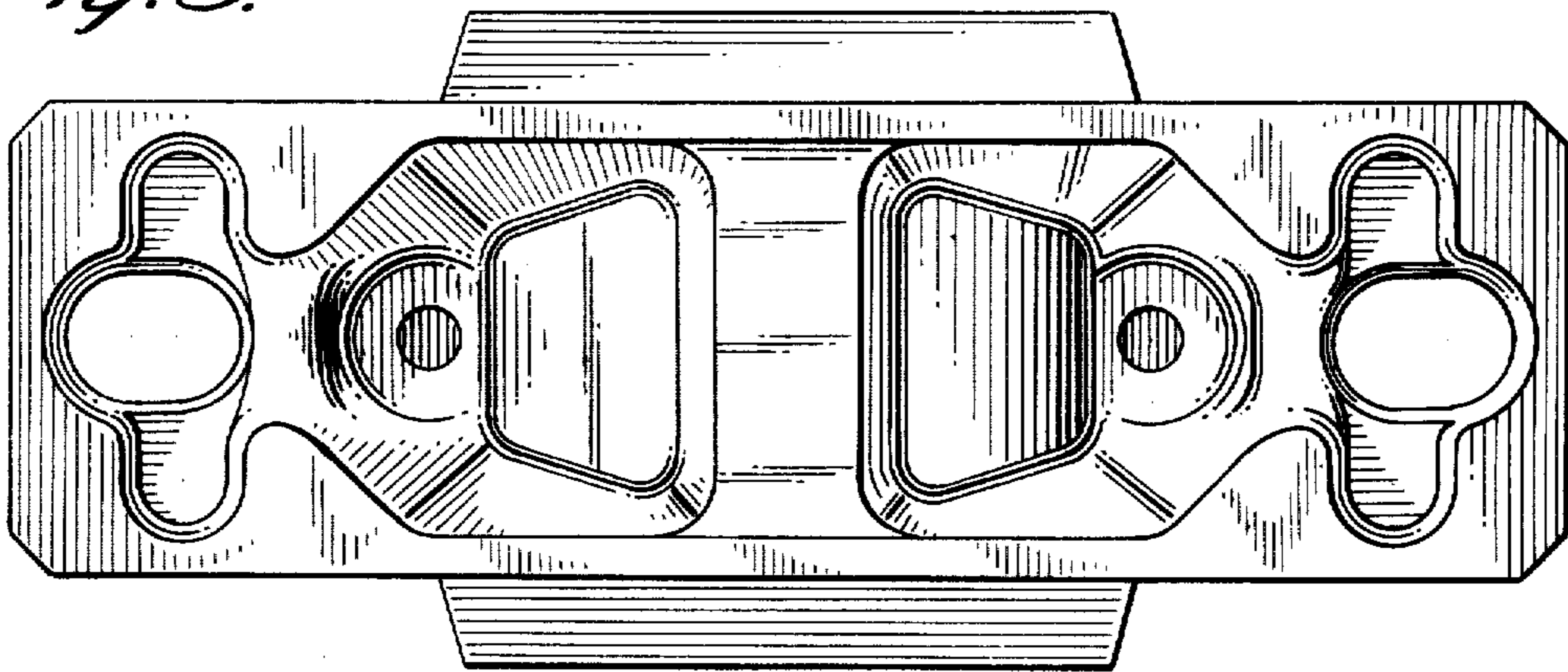


Fig. 5.

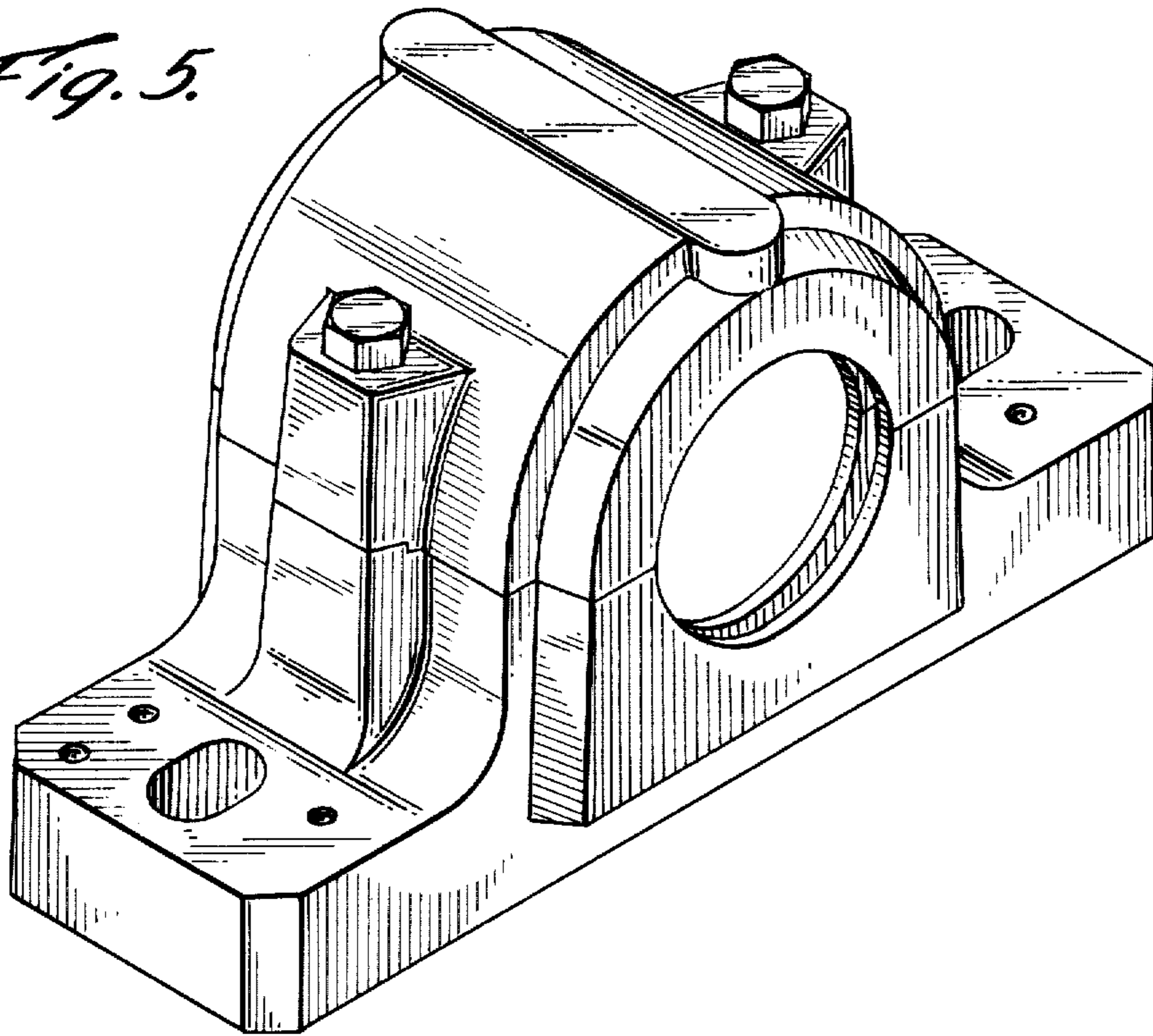


Fig. 4.

