

[54] **AGRICULTURAL TILLER**

[75] Inventor: **Philip D. Stark, Kankakee, Ill.**  
[73] Assignee: **Roper Corporation, Kankakee, Ill.**  
[\*\*] Term: **14 Years**  
[21] Appl. No.: **188,138**  
[22] Filed: **Sep. 17, 1980**

[51] Int. Cl. .... **D15-03**  
[52] U.S. Cl. .... **D15/12**  
[58] Field of Search ..... **D15/12, 14, 15, 16;**  
**172/42, 43**

[56] **References Cited**  
**U.S. PATENT DOCUMENTS**  
D. 156,466 12/1949 Smithburn ..... **D15/12**

**OTHER PUBLICATIONS**

Gravely Convertible 7.6 Brochure, front cover, Convertible 7.6 Tractor Mower.

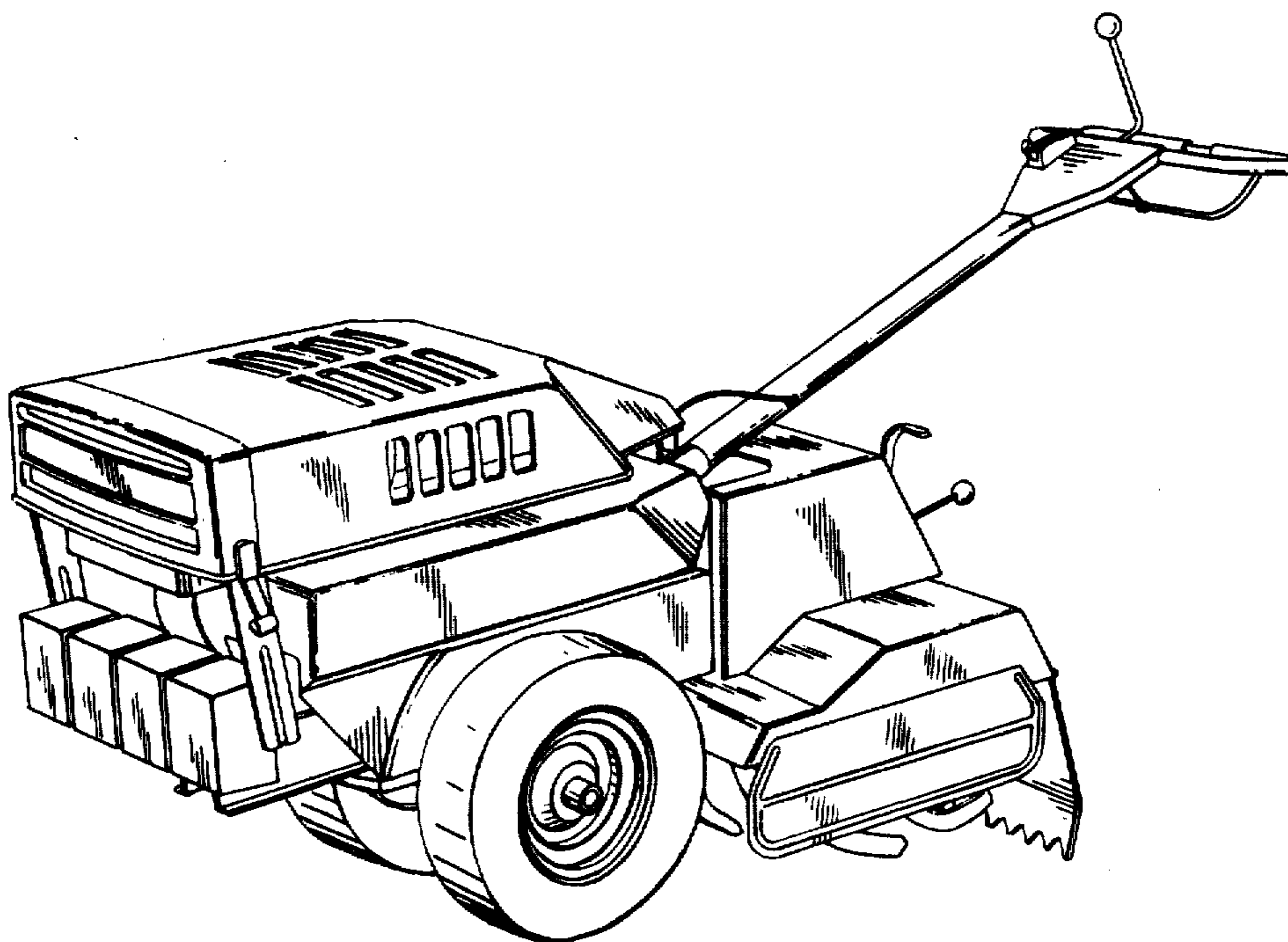
*Primary Examiner*—James M. Gandy  
*Attorney, Agent, or Firm*—C. Frederick Leydig; Dennis R. Schlemmer; David J. Richter

[57] **CLAIM**

The ornamental design for an agricultural tiller, as shown.

**DESCRIPTION**

FIG. 1 is a left, front perspective view of an agricultural tiller showing my new design;  
FIG. 2 is a left side perspective view thereof;  
FIG. 3 is a right side perspective view thereof;  
FIG. 4 is a top plan view thereof;  
FIG. 5 is a front perspective view thereof; and  
FIG. 6 is a rear perspective view thereof.



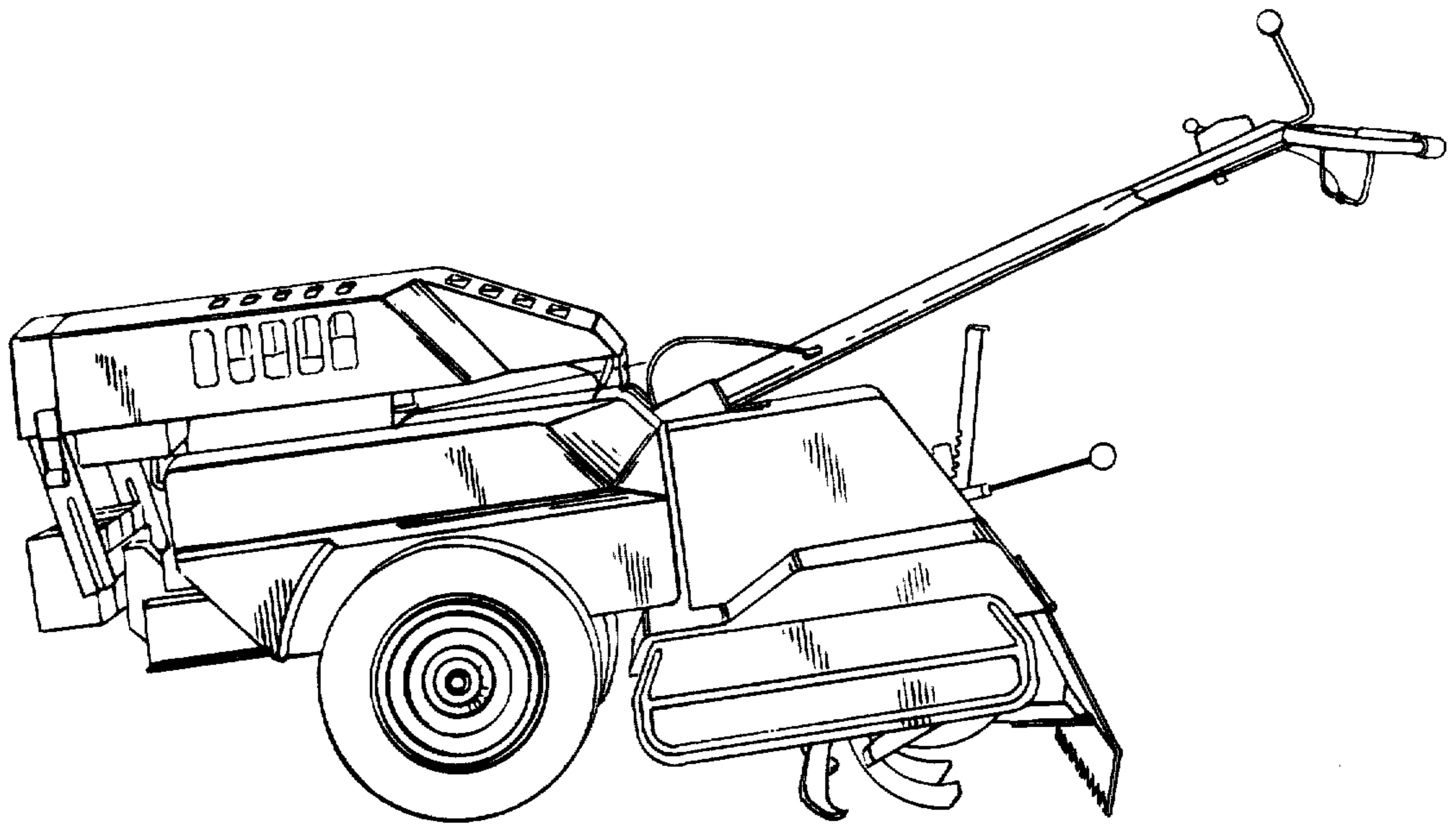
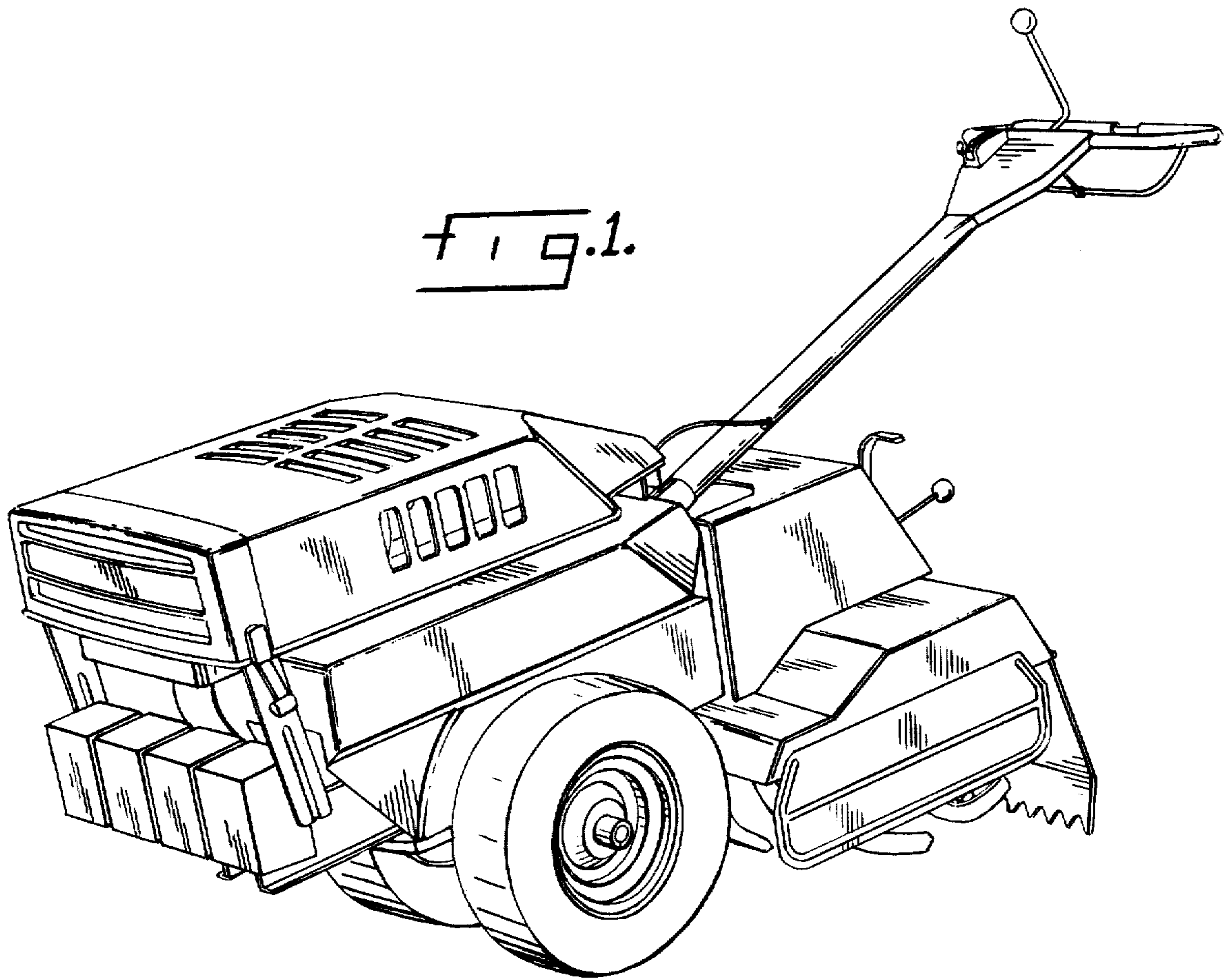


Fig. 2.

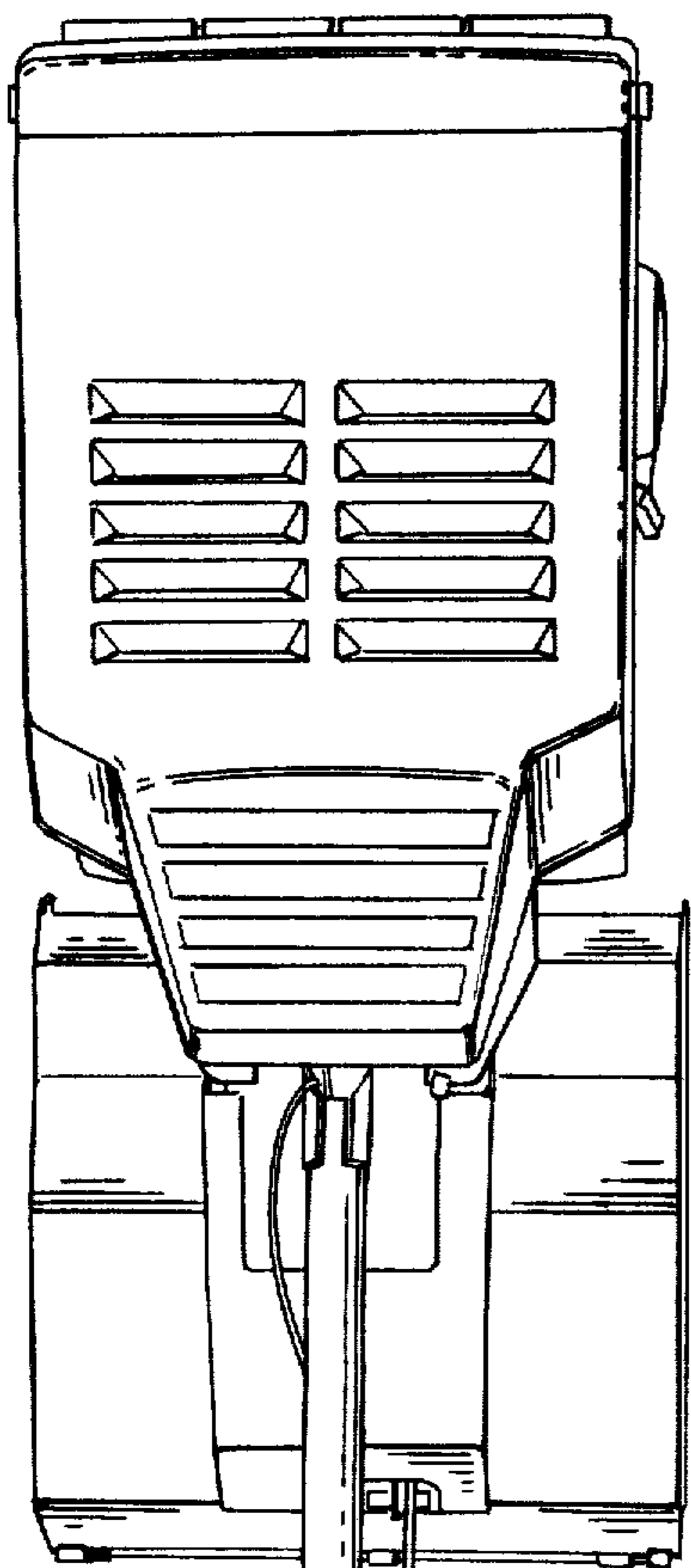


fig. 4.

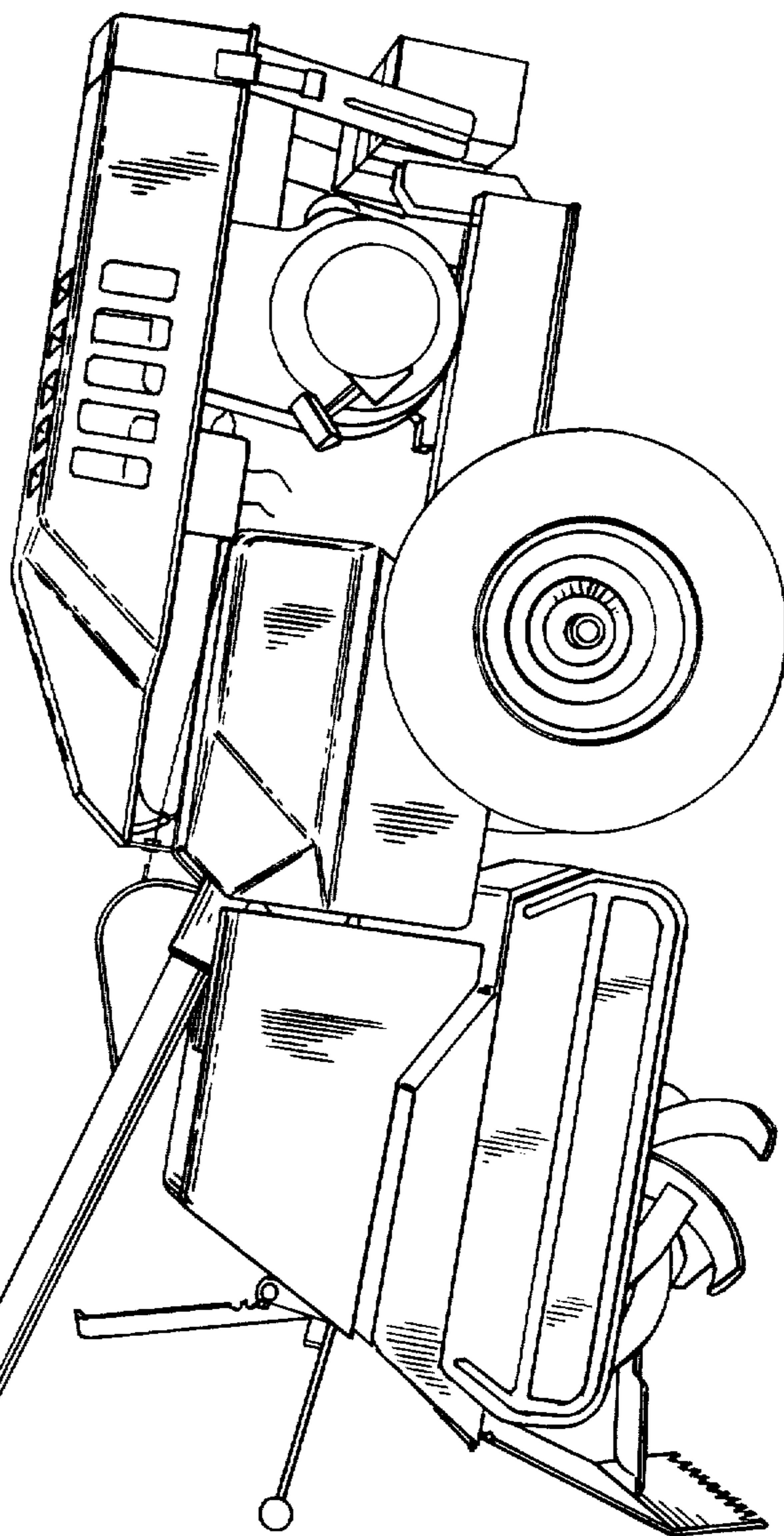
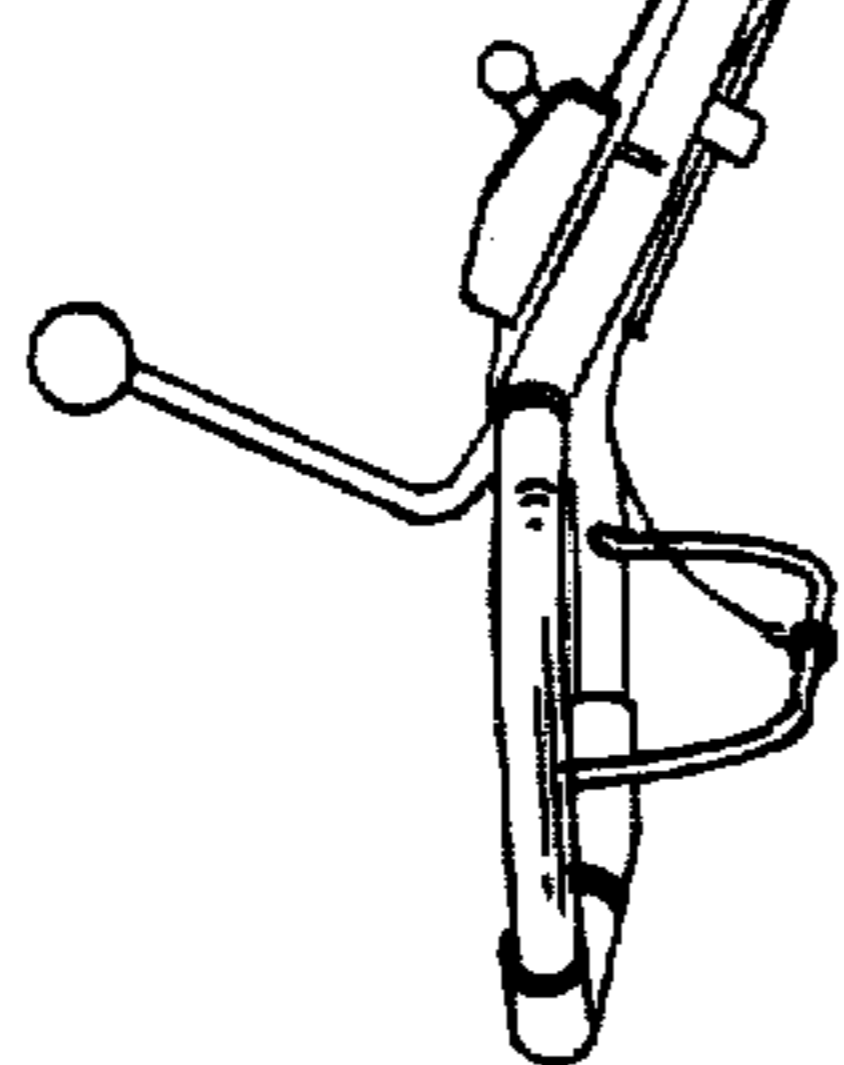


fig. 3.



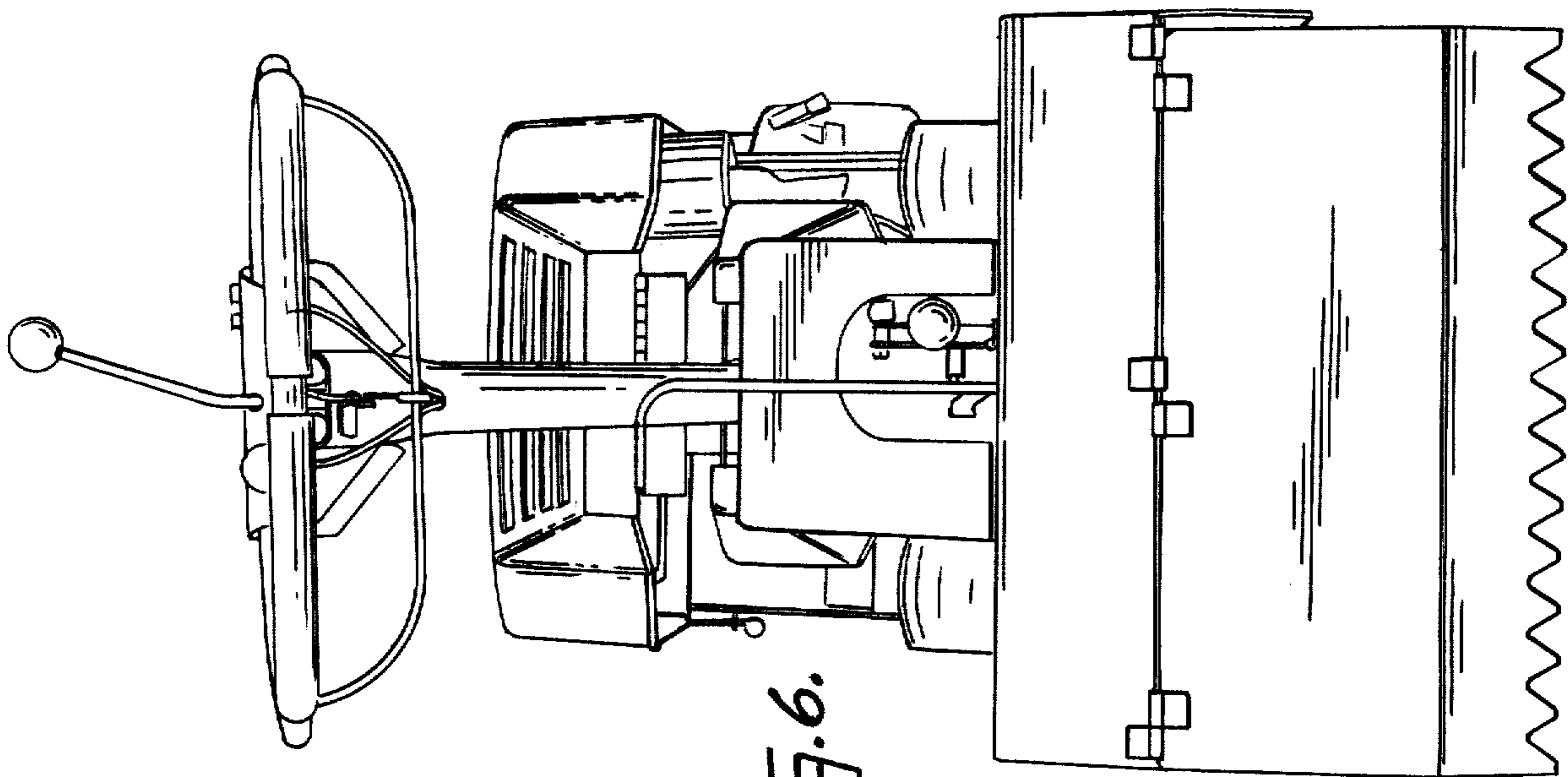


FIG. 6.

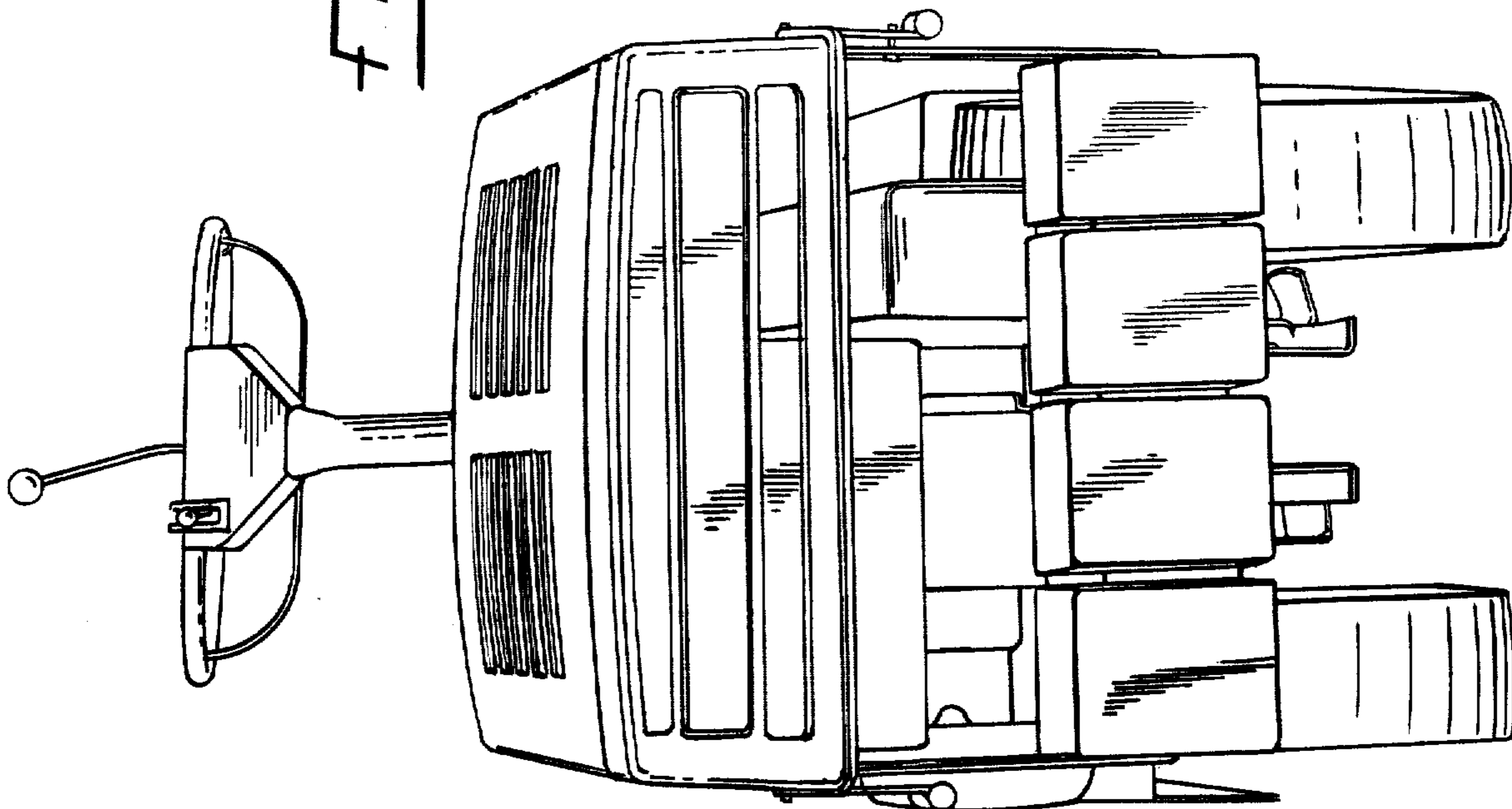


FIG. 5.