

[54] **PRINTER**

[75] Inventors: **Daniel Canning**, Dublin; **James B. Jordan**, Berkeley, both of Calif.

[73] Assignee: **Qume Corporation**, San Jose, Calif.

[\*\*] Term: **14 Years**

[21] Appl. No.: **203,522**

[22] Filed: **Nov. 3, 1980**

[51] Int. Cl. .... **D14—02; D18—02**

[52] U.S. Cl. .... **D14/111; D18/13**

[58] Field of Search ..... **D14/100, 101, 102, 103, D14/105, 106, 107, 111, 113, 114; D18/13; 364/900; 400/61, 62**

[56] **References Cited**

**U.S. PATENT DOCUMENTS**

D. 249,347 9/1978 Zierhut ..... D14/111

**OTHER PUBLICATIONS**

Computer Design, 5/78, p. 105, Qume Printer (left).

M1<sup>2</sup> Corporation Brochure, 2/78, Design 2400 Matrix Printer.

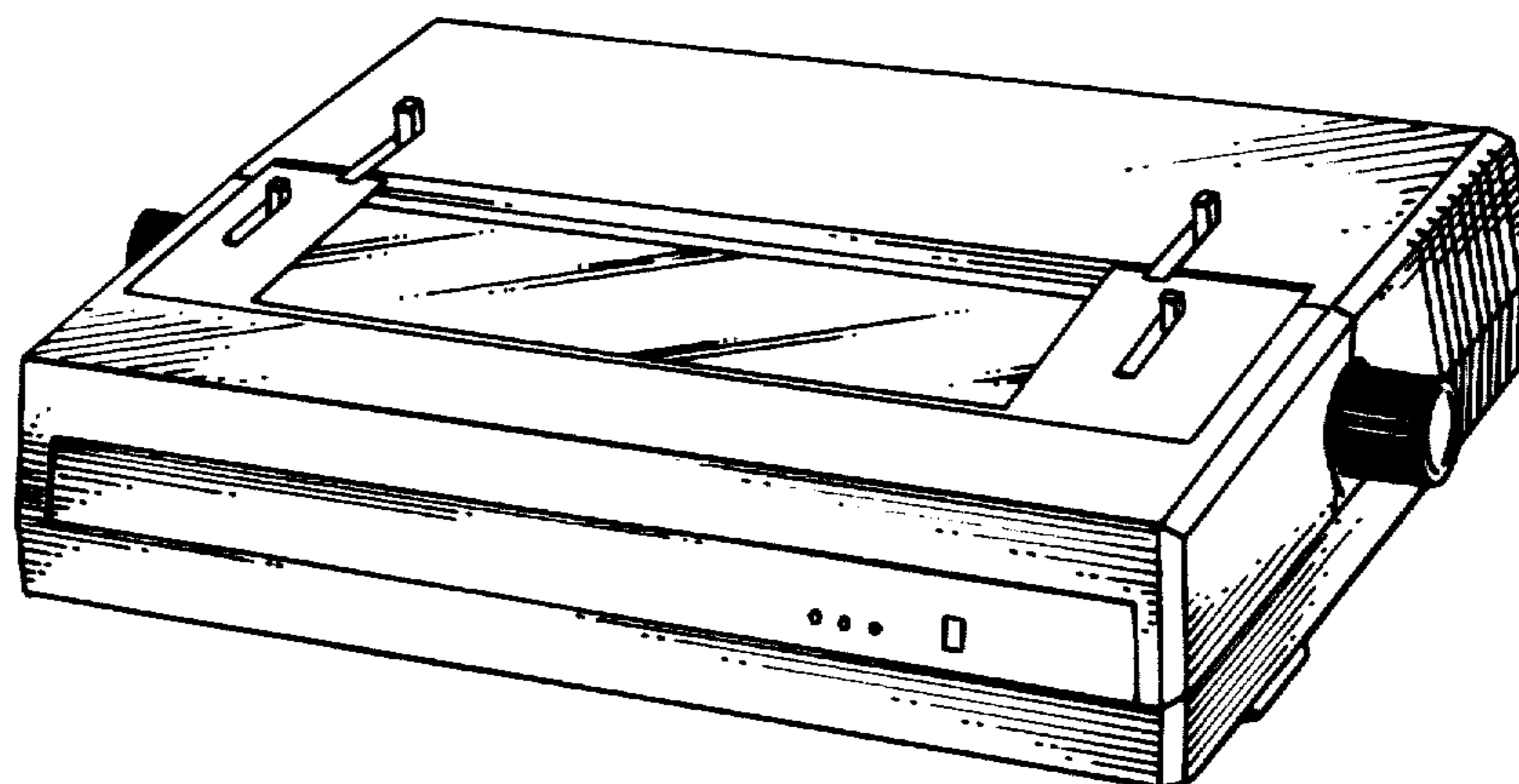
*Primary Examiner*—Susan J. Lucas  
*Attorney, Agent, or Firm*—T. E. Kristofferson; A. D. Stolzy

[57] **CLAIM**

The ornamental design for a printer, substantially as shown and described.

**DESCRIPTION**

FIG. 1 is a perspective view of the printer of the present invention;  
FIG. 2 is a top plan view thereof on an enlarged scale;  
FIG. 3 is a front elevational view thereof on an enlarged scale;  
FIG. 4 is an elevational view of one end of the printer;  
FIG. 5 is an elevational view of the other end of the printer on an enlarged scale;  
FIG. 6 is a rear elevational view thereof on an enlarged scale; and  
FIG. 7 is a bottom plan view thereof on an enlarged scale.



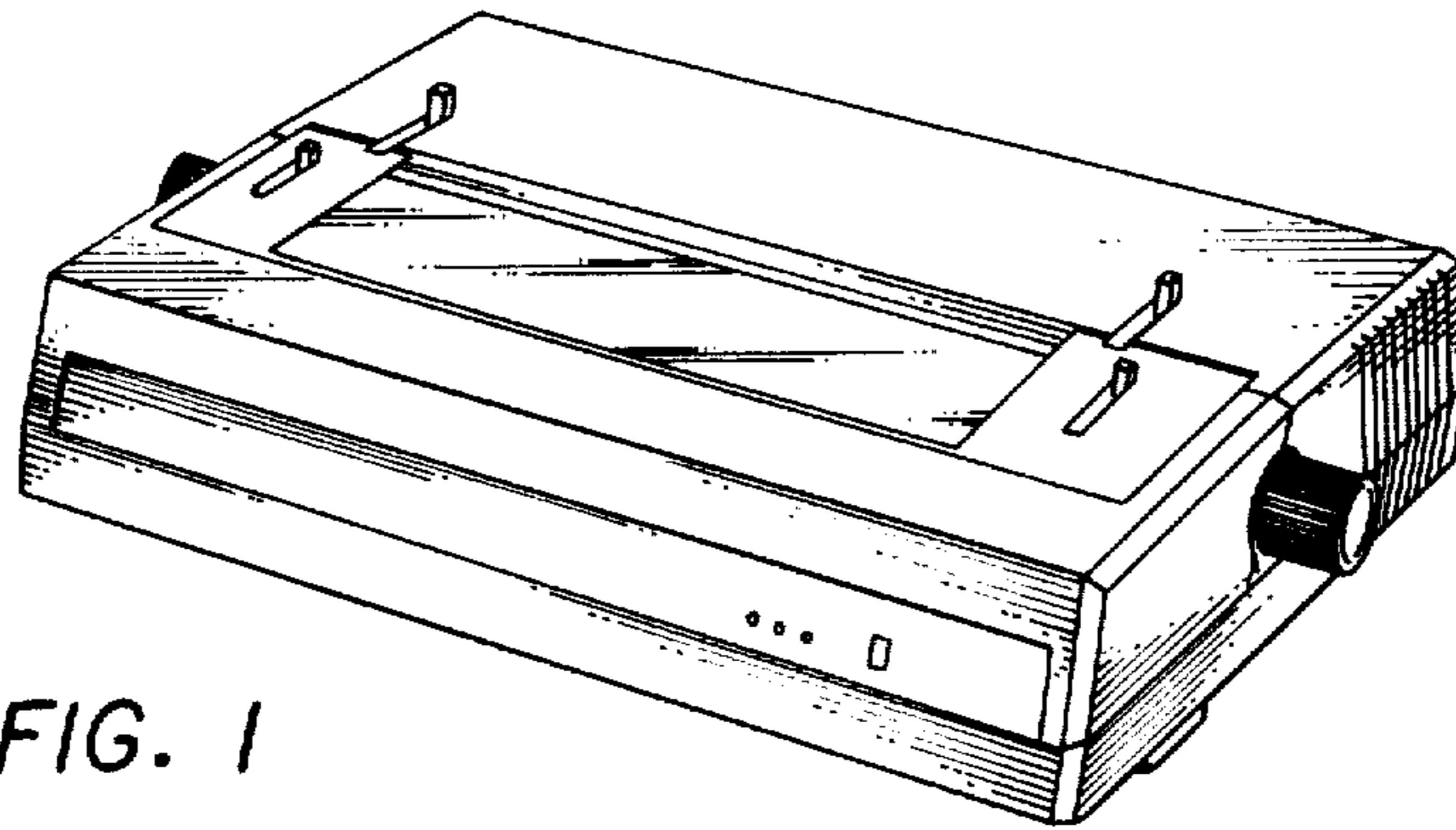


FIG. 1

FIG. 2

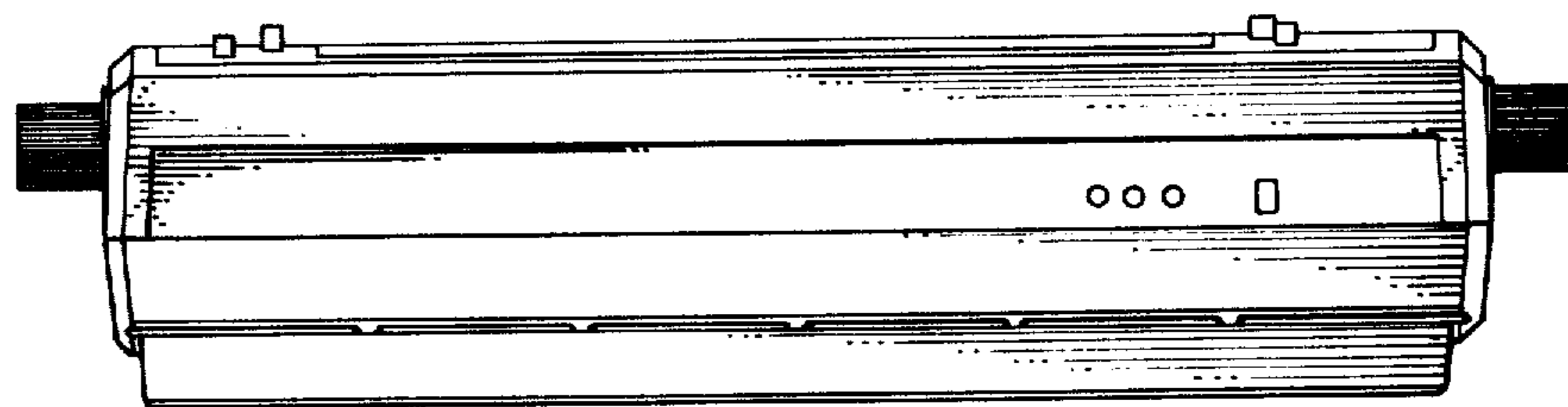
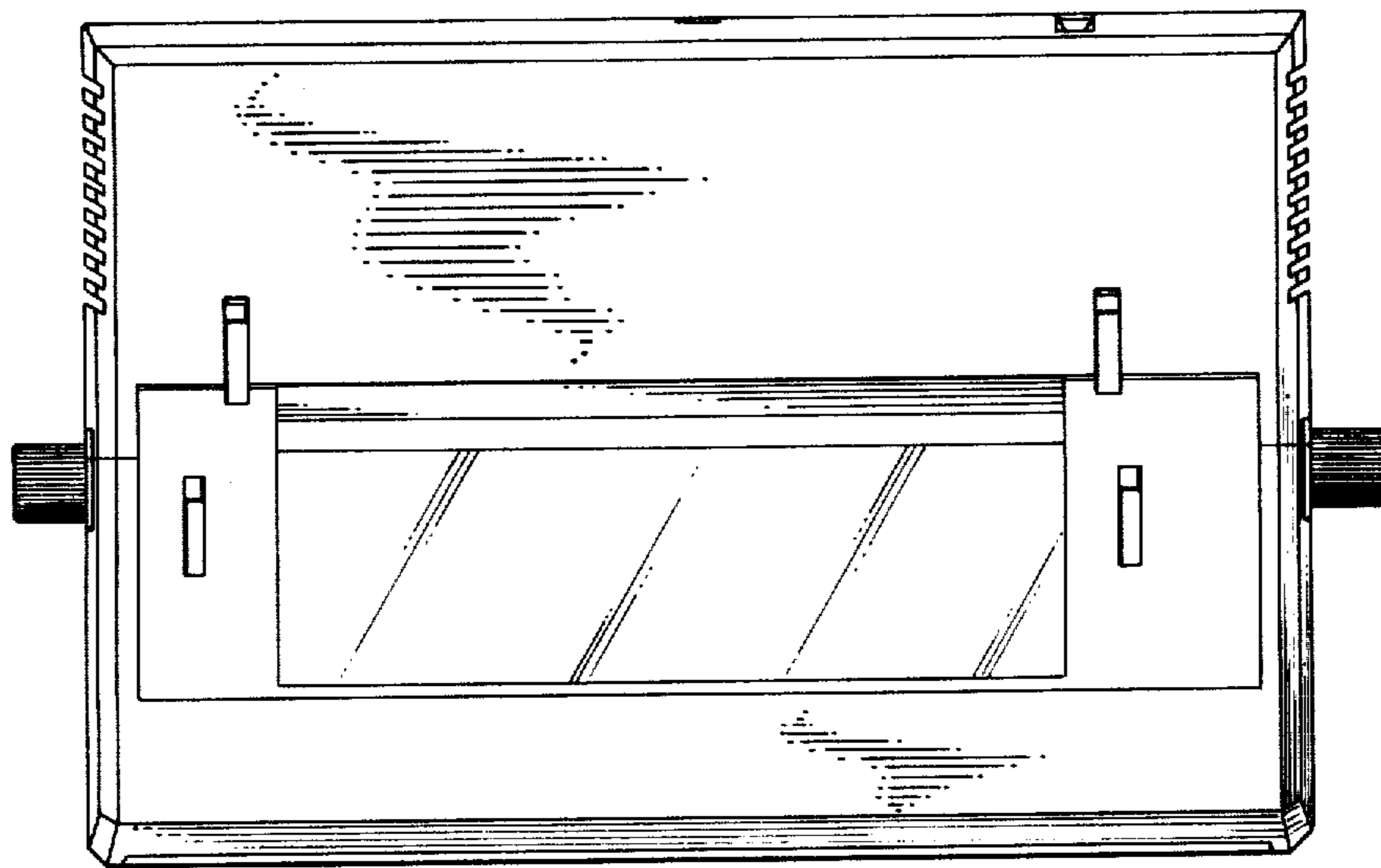


FIG. 3

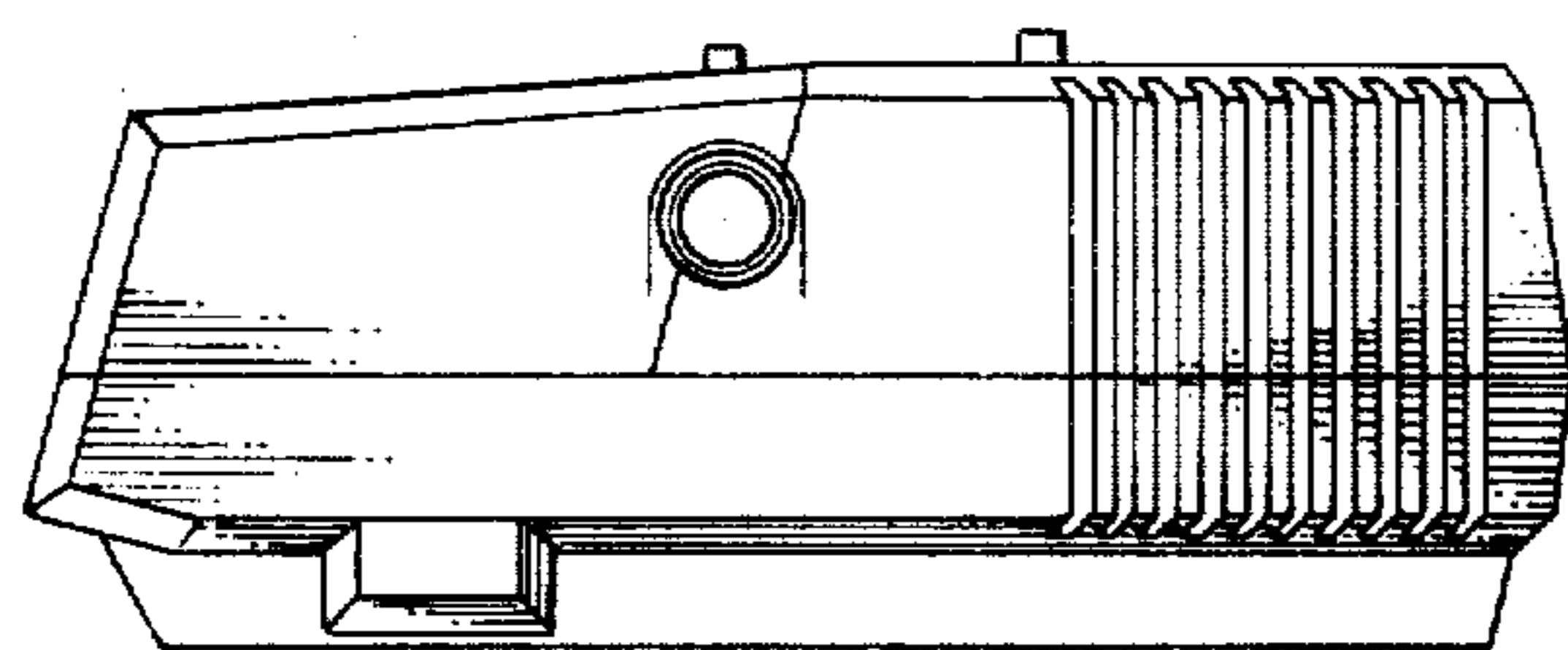


FIG. 4

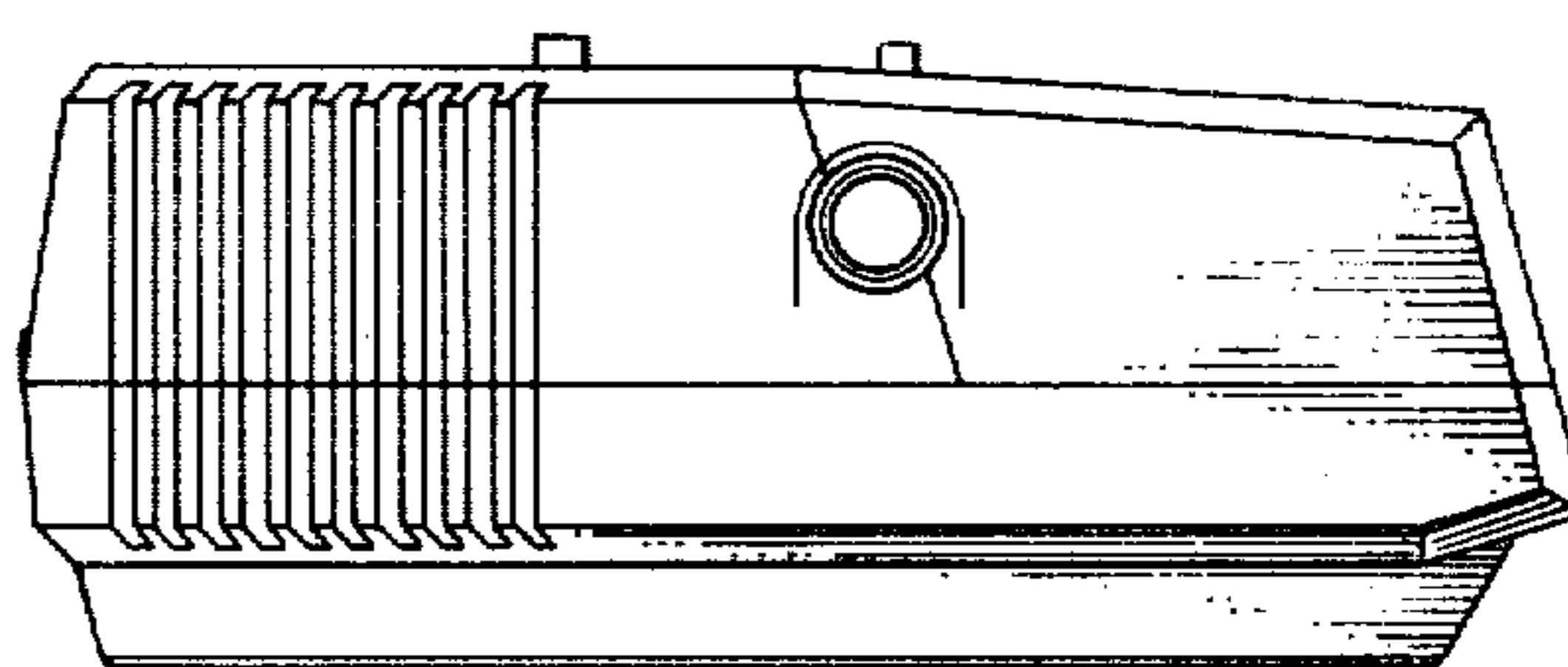


FIG. 5

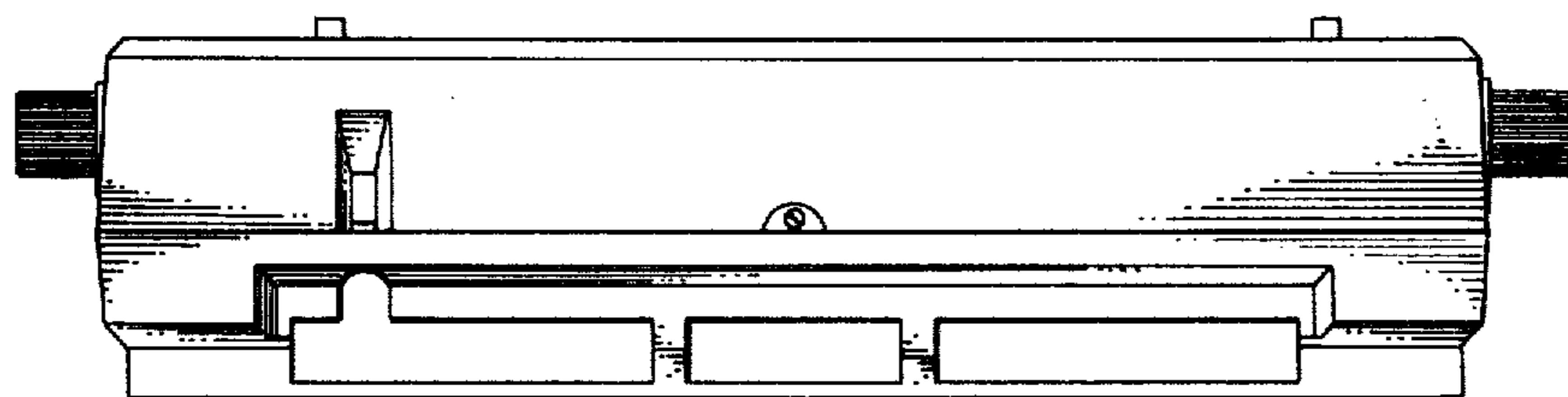


FIG. 6

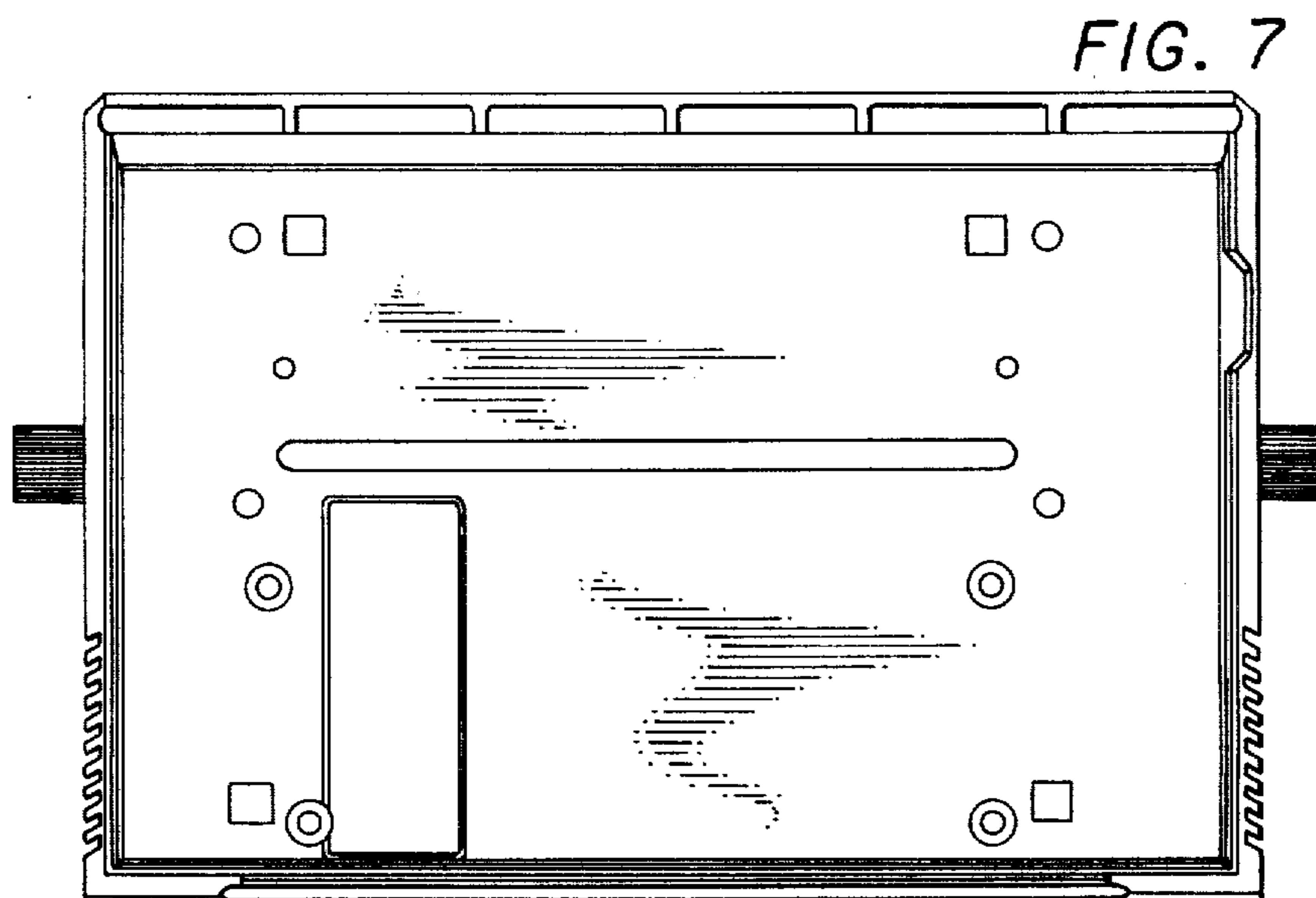


FIG. 7