

[54] TELEPHONE BUSY LAMP FIELD CONSOLE WITH DISPLAY

[75] Inventors: Donald A. Foggia, Ocean, N.J.; Deepak R. Muzumdar, Boca Raton, Fla.; Gerhart F. Klaiber, Boca Raton, Fla.; Rolf E. Schneider, Boca Raton, Fla.

[73] Assignee: Siemens Corporation, Iselin, N.J.

[**] Term: 14 Years

[21] Appl. No.: 199,991

[22] Filed: Oct. 23, 1980

[51] Int. Cl. D14-03

[52] U.S. Cl. D14/58; D14/53

[58] Field of Search 179/100 D, 100 R, 99, 179/179; D14/53, 58

[56]

References Cited

U.S. PATENT DOCUMENTS

- D. 232,563 8/1974 Marchese D14/58
- D. 236,501 8/1975 Conway et al. D14/58
- D. 251,843 5/1979 Knoll et al. D14/58
- D. 254,436 3/1980 Bakal D14/58

OTHER PUBLICATIONS

Telephony, vol. 196, Mar. 12, 1979, p. 49, Digital Telephone System.

Primary Examiner—Bernard Ansher
Attorney, Agent, or Firm—Karl F. Milde, Jr.

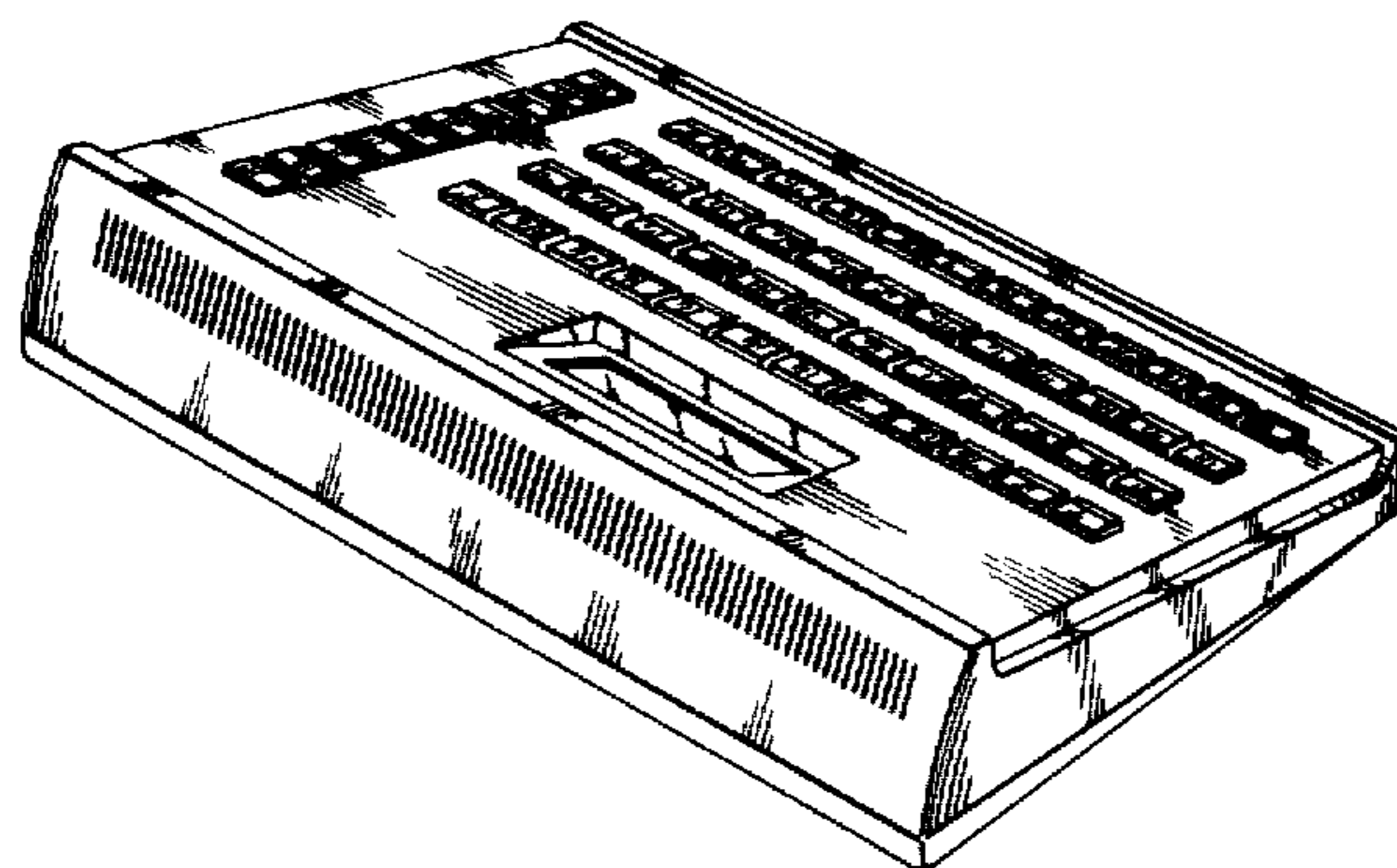
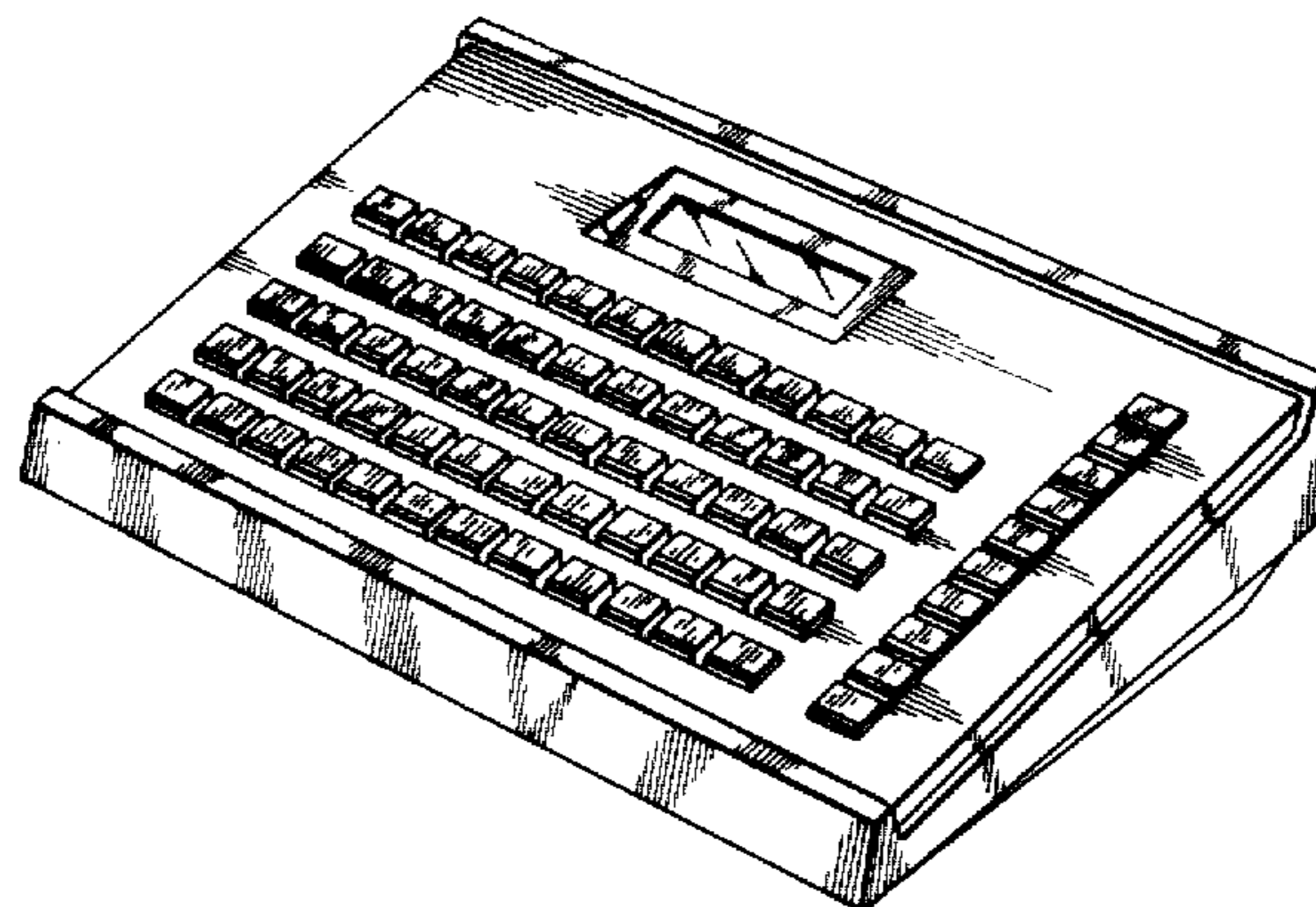
[57]

CLAIM

The ornamental design for a telephone busy lamp field console with display, as shown.

DESCRIPTION

FIG. 1 is a top front perspective view of a telephone busy lamp field console with display showing our new design; and
FIG. 2 is a rear perspective view thereof.



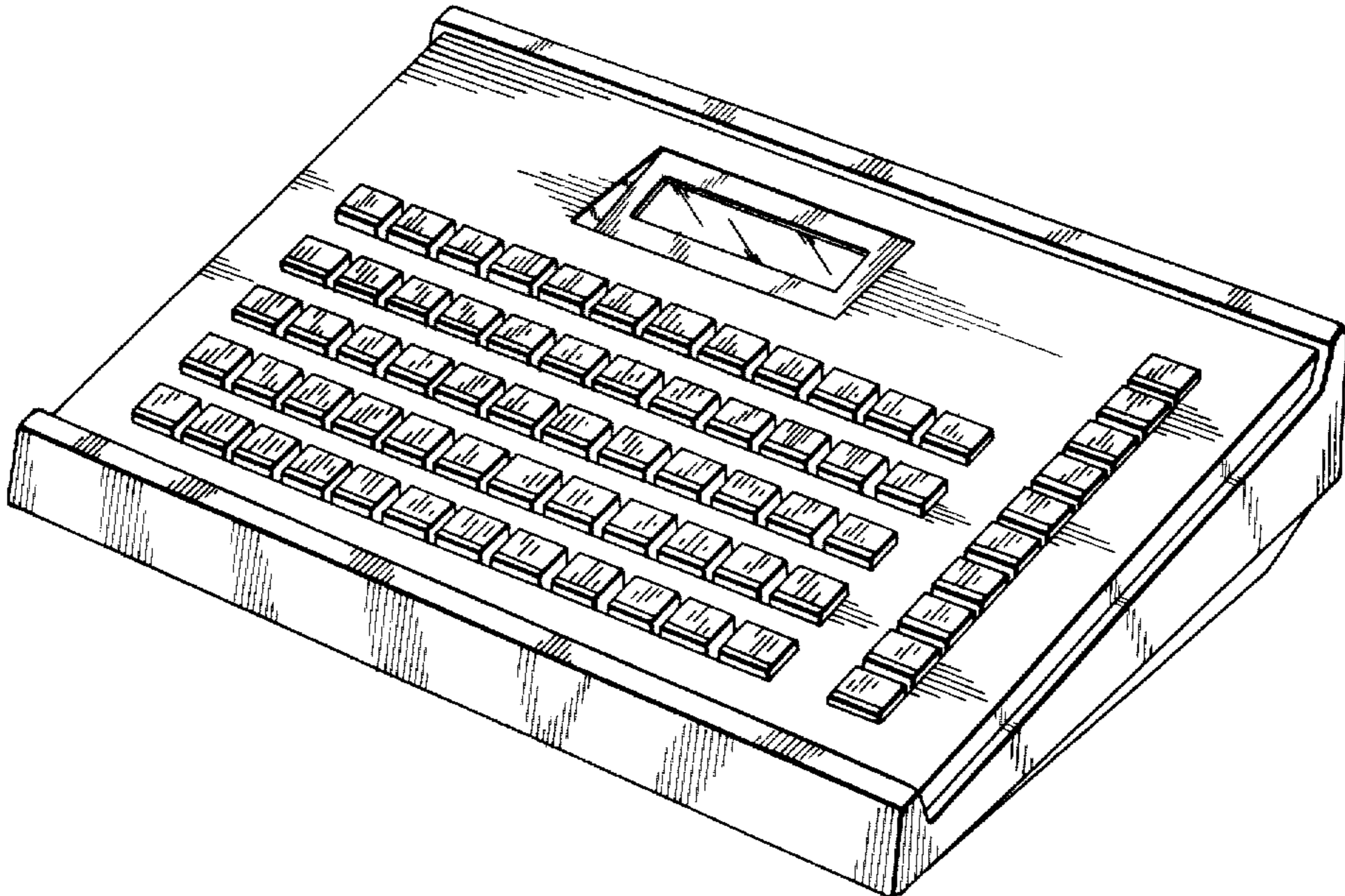


FIG. 1

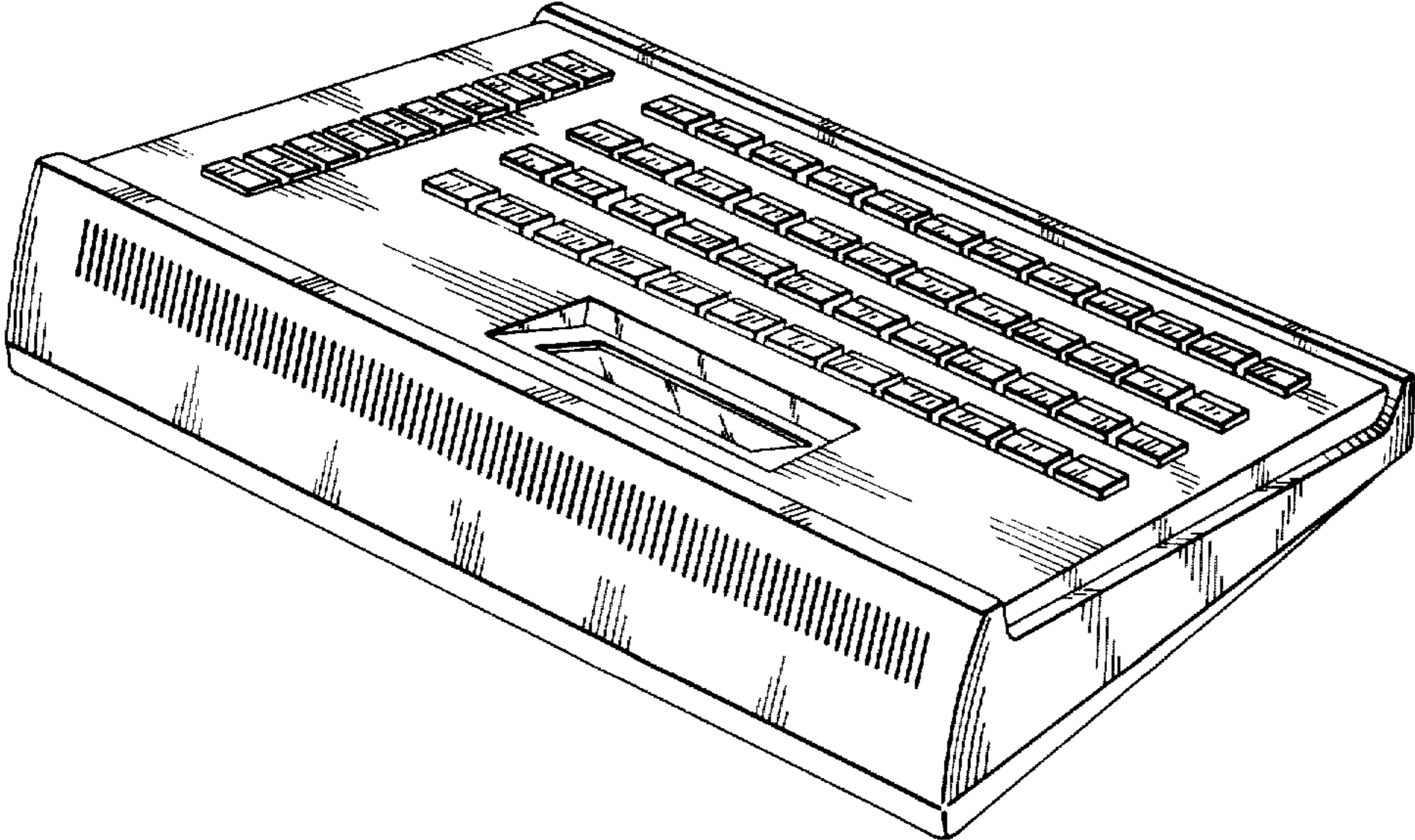


FIG. 2