

[54] TELEPHONE

[75] Inventors: John E. Bevilacqua, Jr.; James E. Ross, both of Charlottesville, Va.

[73] Assignee: United Artists Corporation, New York, N.Y.

[**] Term: 14 Years

[21] Appl. No.: 223,105

[22] Filed: Jan. 7, 1981

[51] Int. Cl. D14-03

[52] U.S. Cl. D14/53; D21/111; D21/163; D14/60

[58] Field of Search D21/163, 111; D14/53, D14/60; 179/179, 178, 100 R, 100 D, 184, 164

[56] References Cited

U.S. PATENT DOCUMENTS

D. 243,096	1/1977	Perkins	D14/53
D. 250,023	10/1978	Perkins et al.	D14/53
D. 262,025	11/1981	Thomas	D14/53
4,087,650	5/1978	Tucker	179/100 D

OTHER PUBLICATIONS

Wards Christmas Cat. 1977, p. 406, Item #M (Pink Panther).

Primary Examiner—Bernard Ansher
Attorney, Agent, or Firm—Abelman, Frayne & Rezac

[57] CLAIM

The ornamental design for a telephone, substantially as shown and described.

DESCRIPTION

FIG. 1 is a top plan view of a telephone showing my new design;
 FIG. 2 is a right side elevation thereof;
 FIG. 3 is a front elevation thereof;
 FIG. 4 is a left side elevation thereof;
 FIG. 5 is a rear elevation thereof;
 FIG. 6 is a bottom plan view thereof;
 FIG. 7 is a top plan view of a modified embodiment of the telephone illustrated in FIG. 1;
 FIG. 8 is a right side elevation thereof;
 FIG. 9 is a front elevation thereof;
 FIG. 10 is a left side elevation thereof;
 FIG. 11 is a rear elevation thereof; and
 FIG. 12 is a bottom plan view thereof.

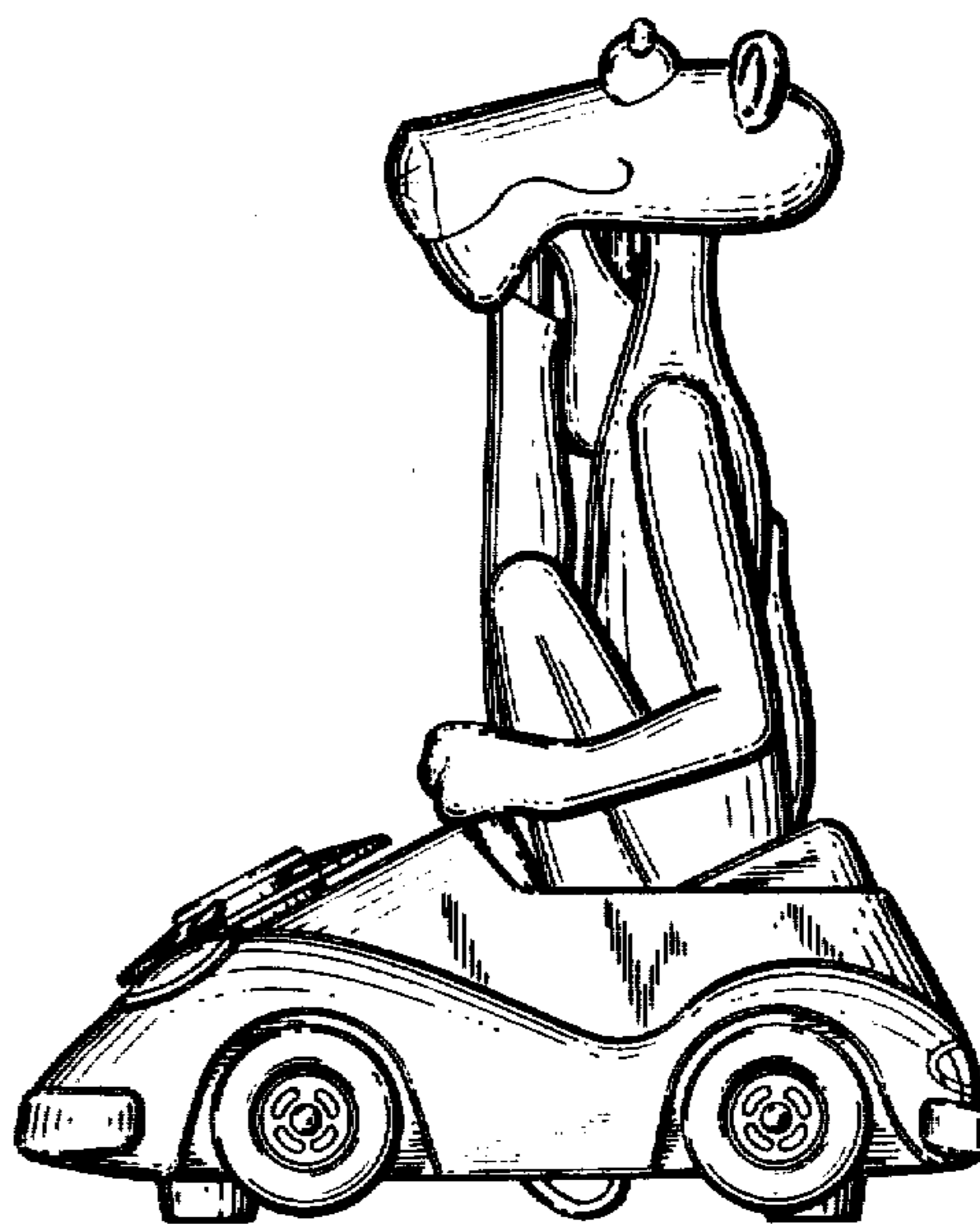
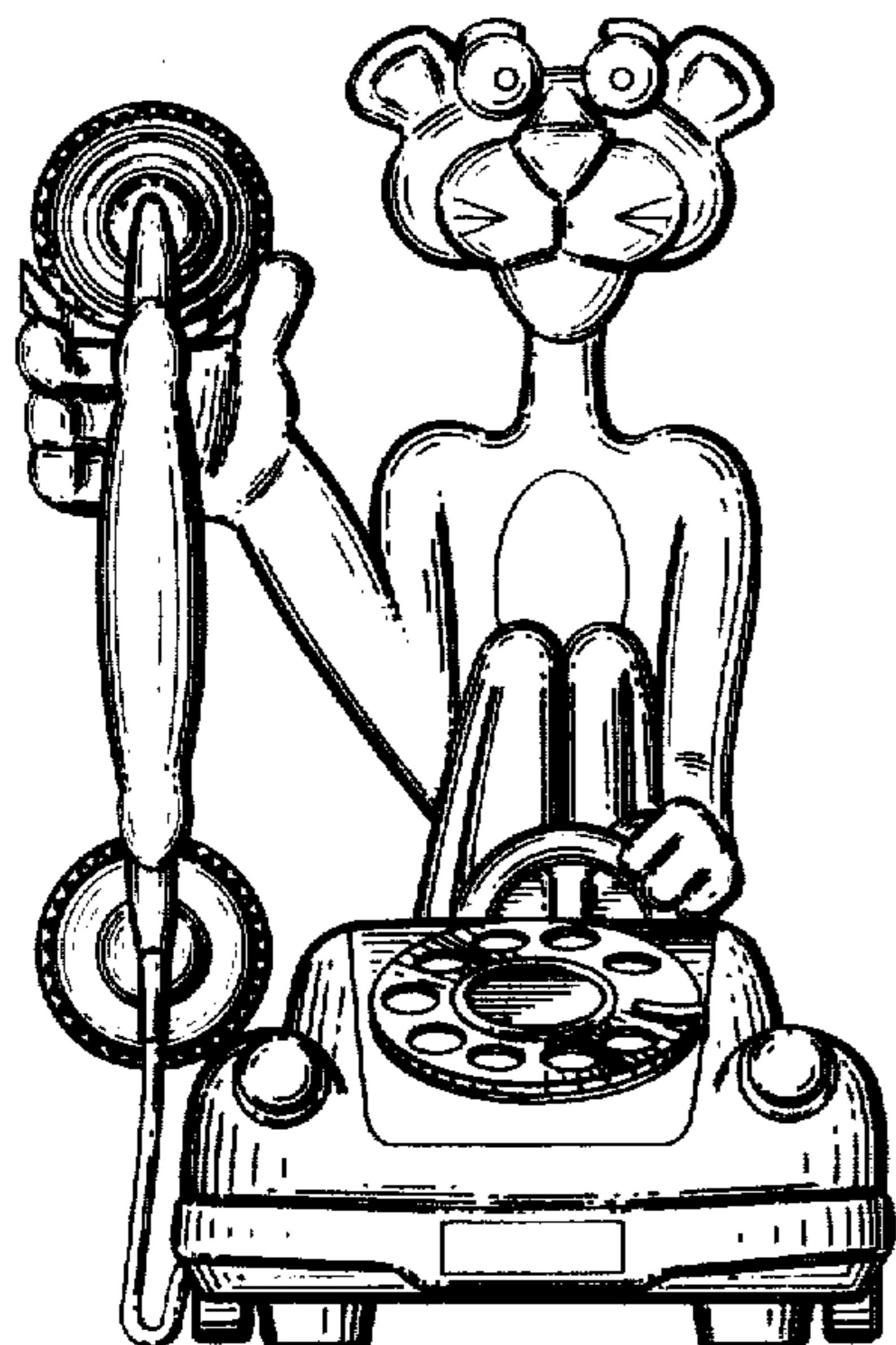


FIG. 2

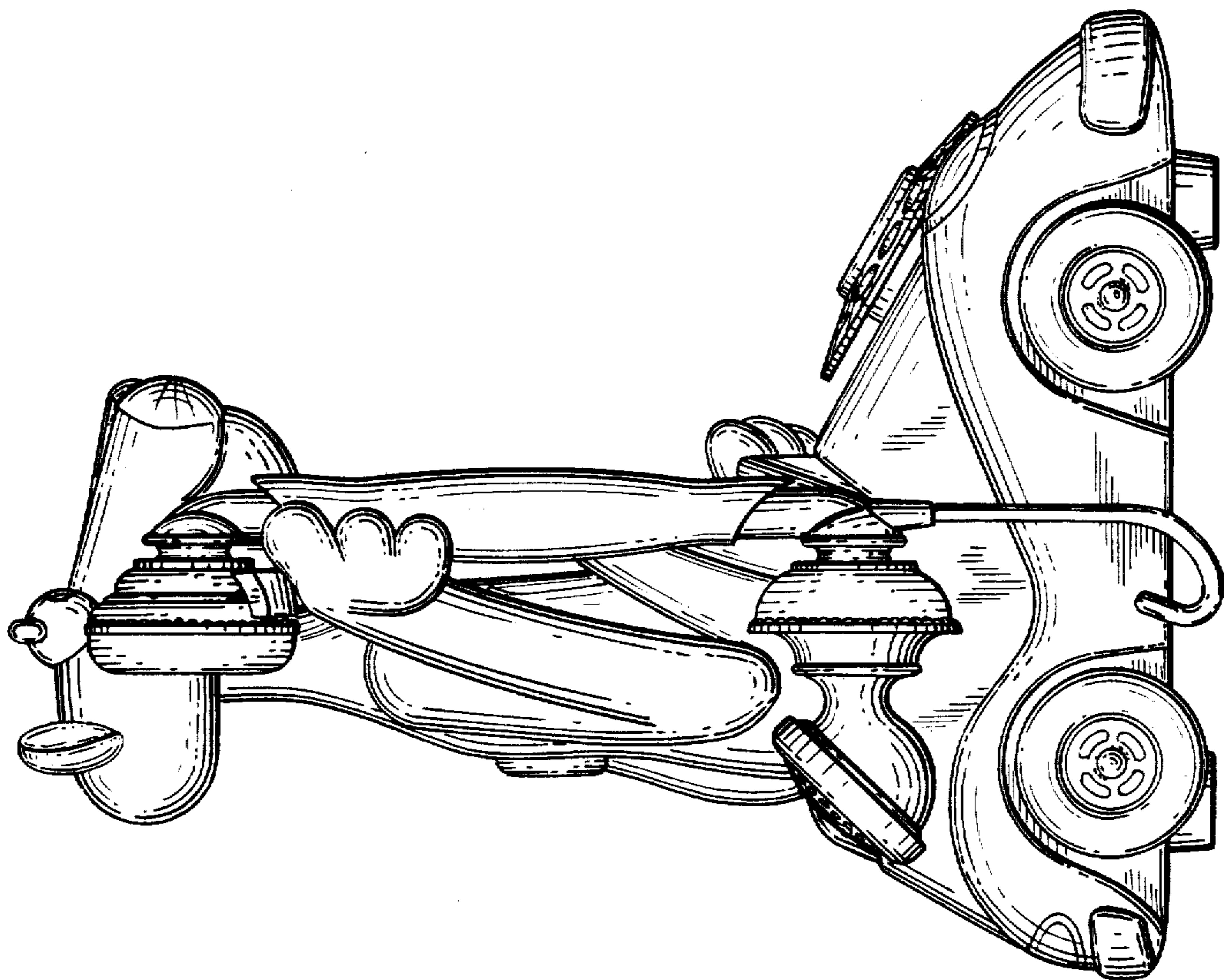


FIG. 1

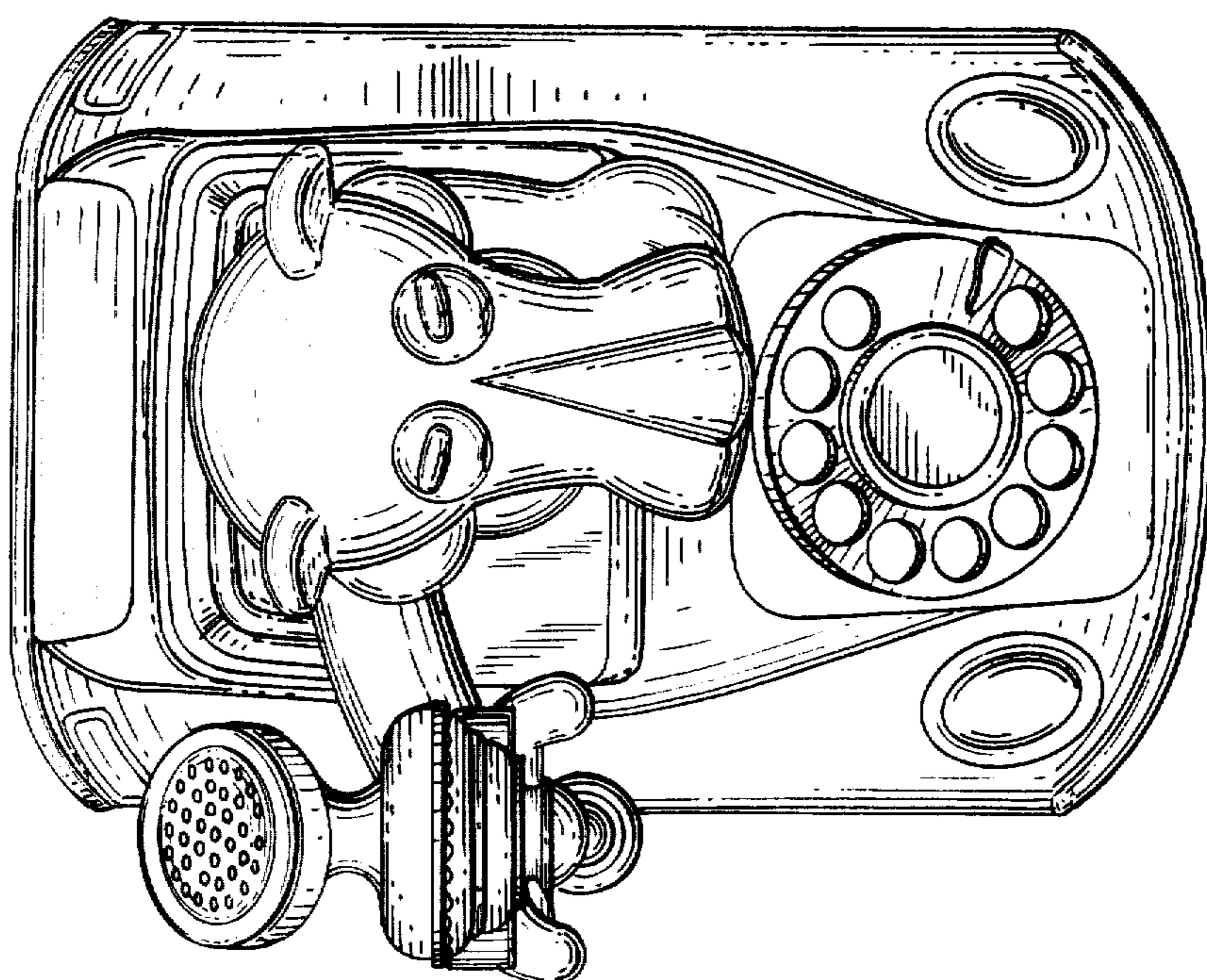


FIG. 4

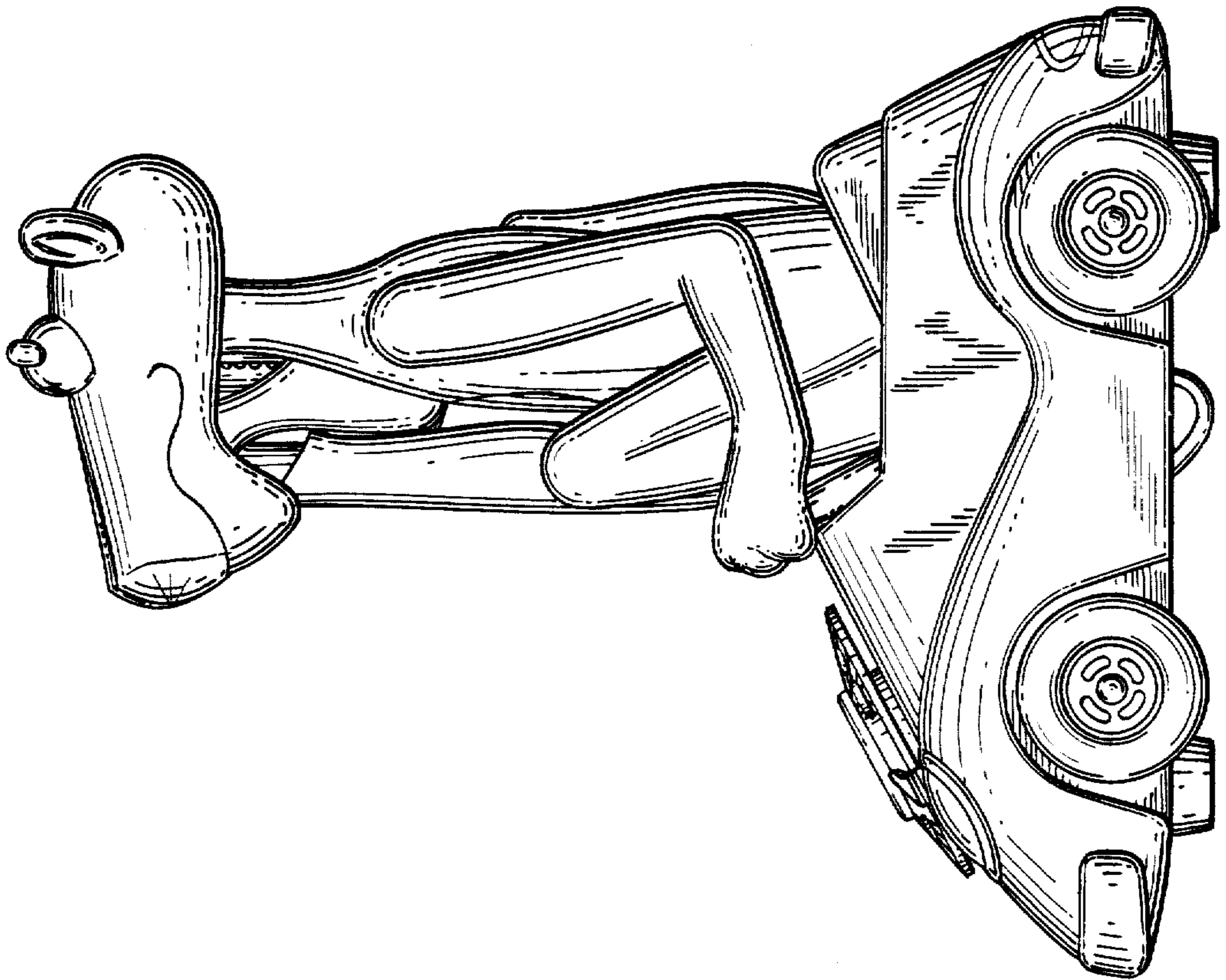


FIG. 3

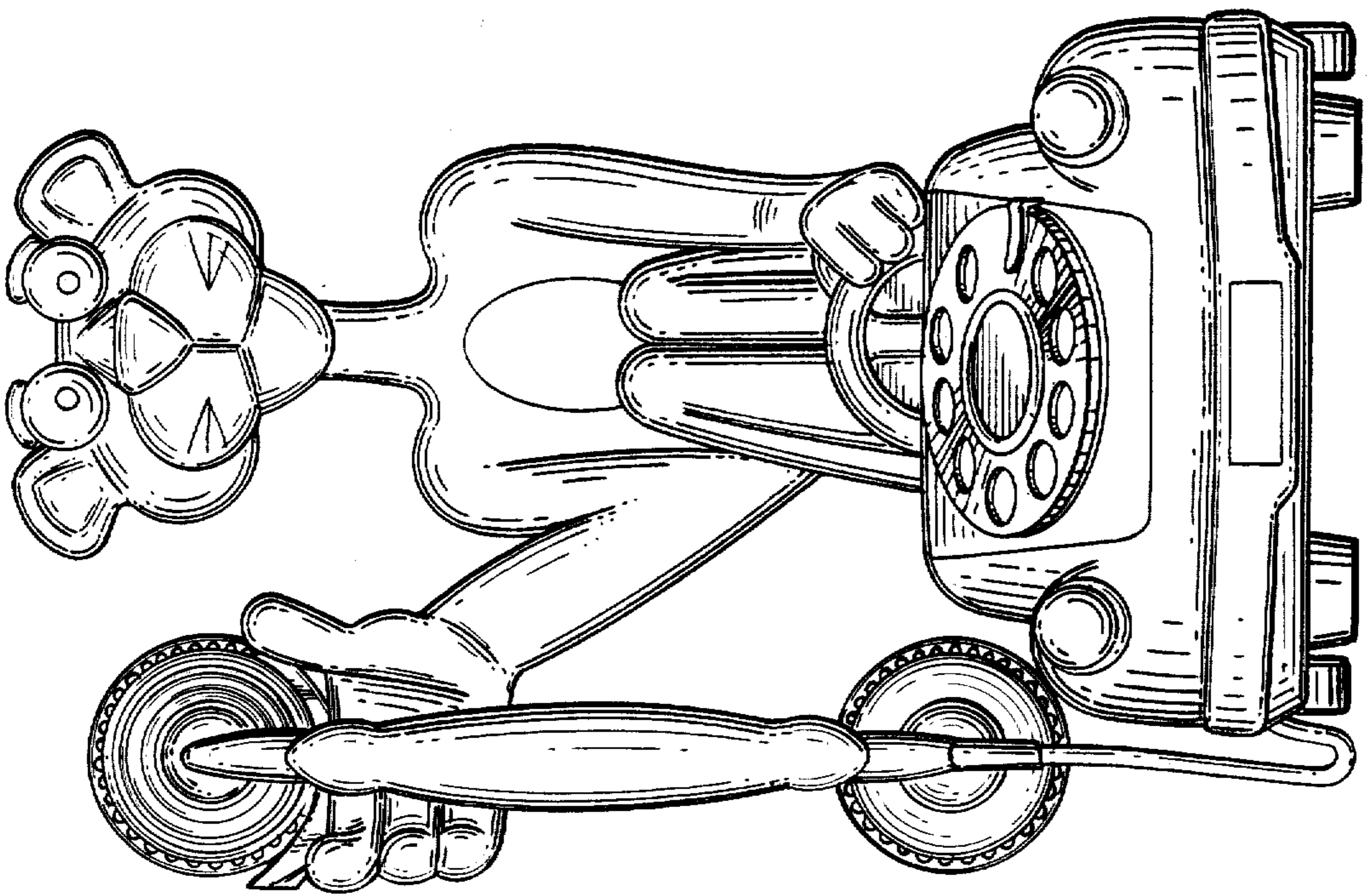


FIG. 6

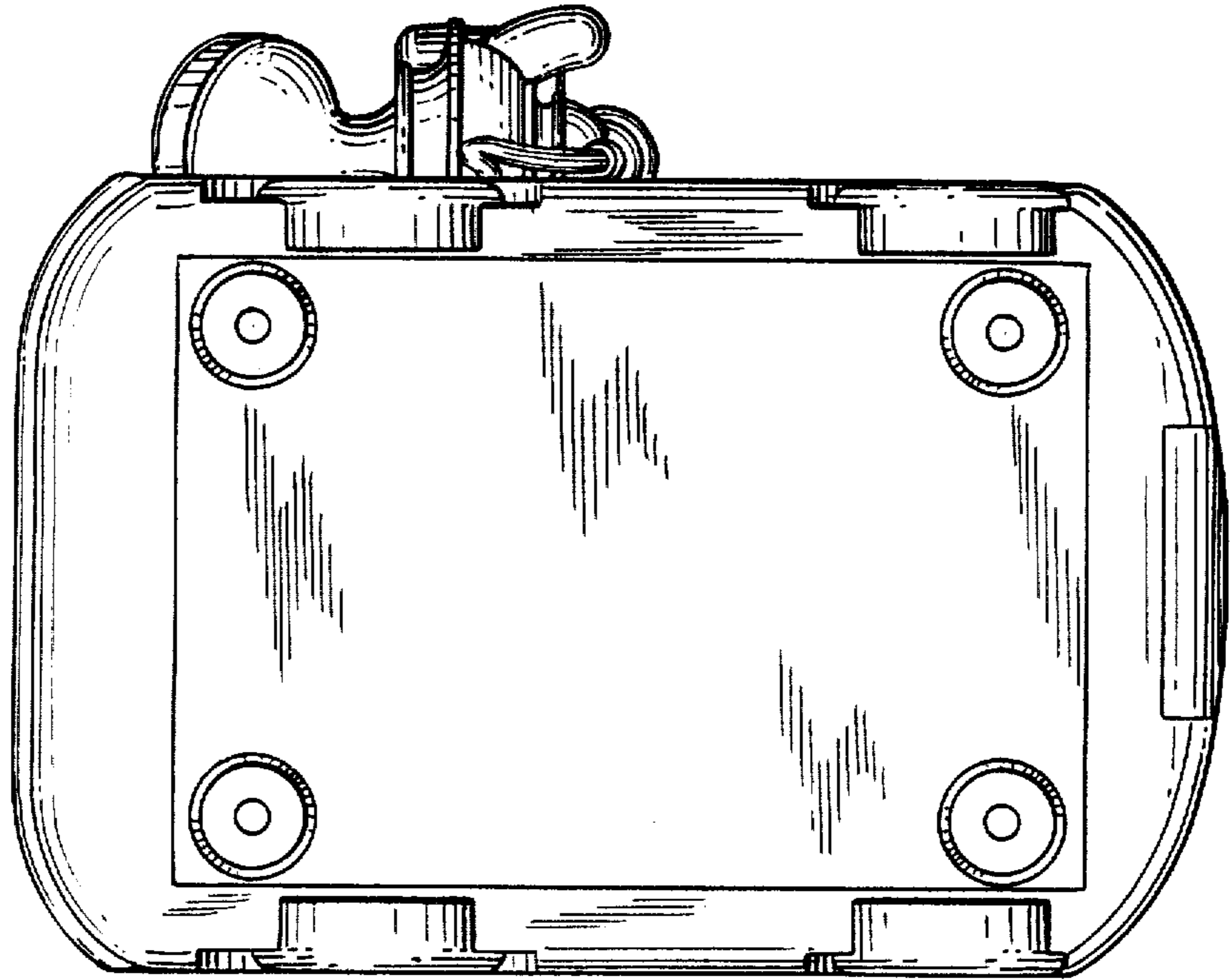


FIG. 5

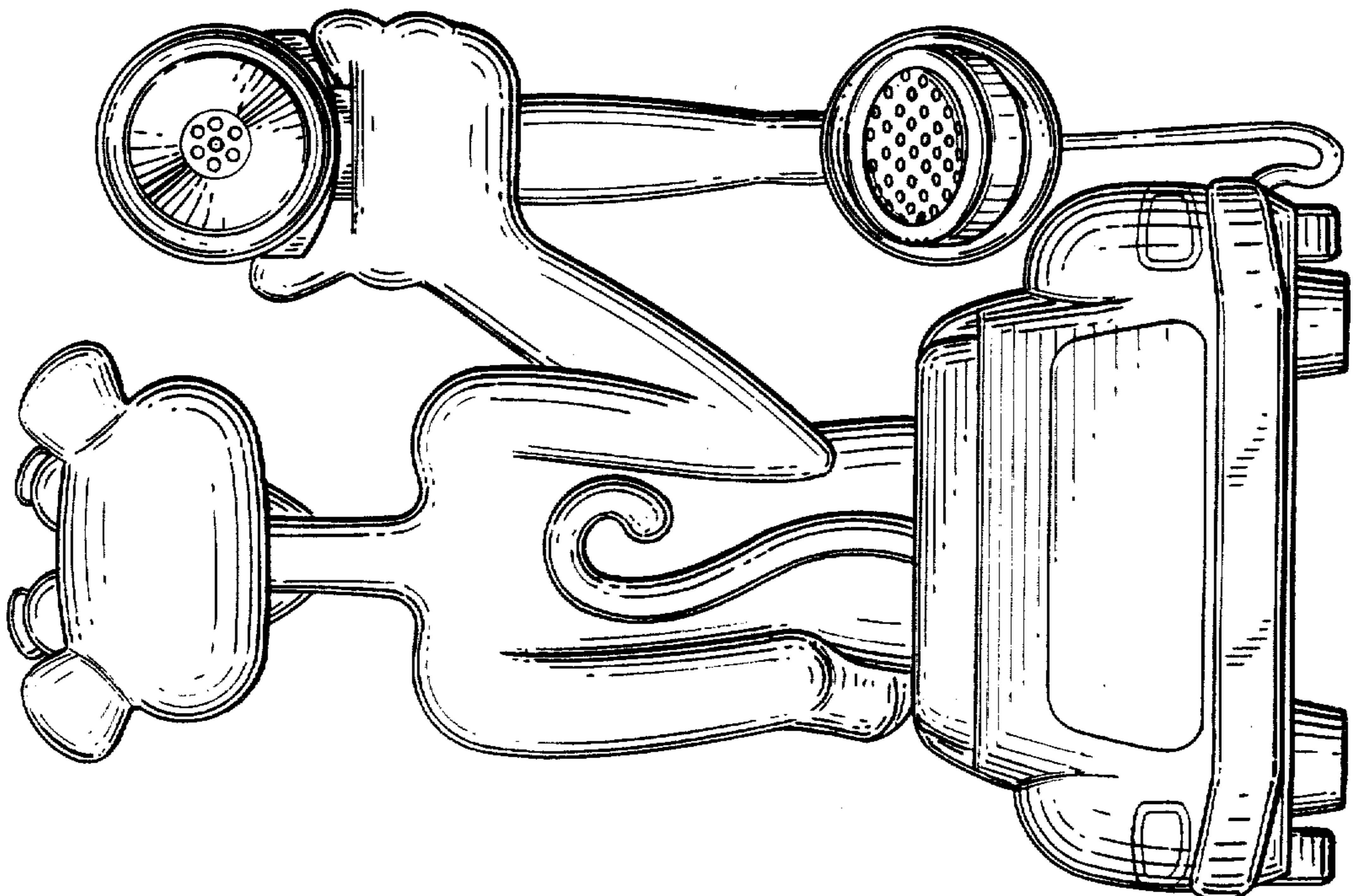


FIG. 8

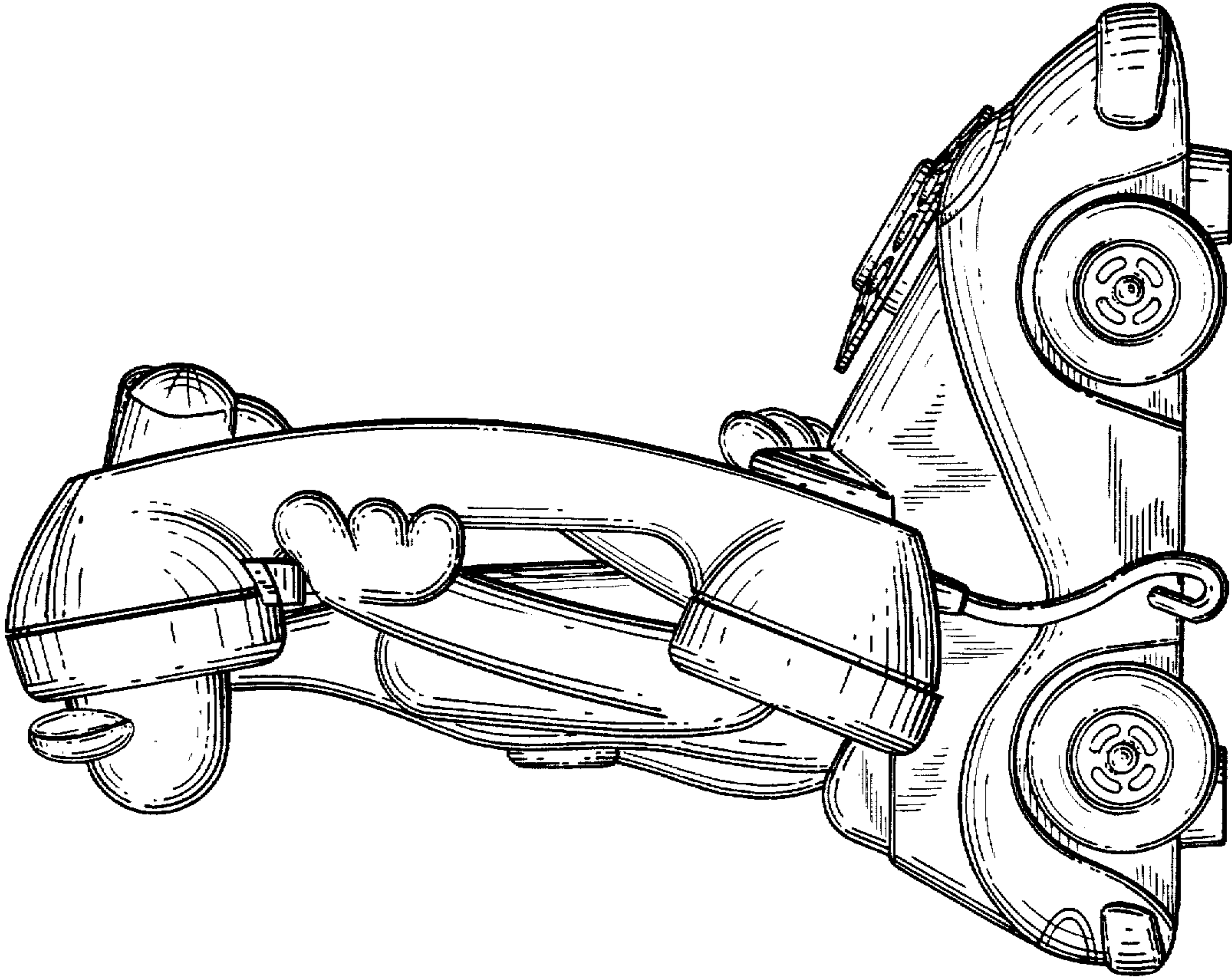


FIG. 7

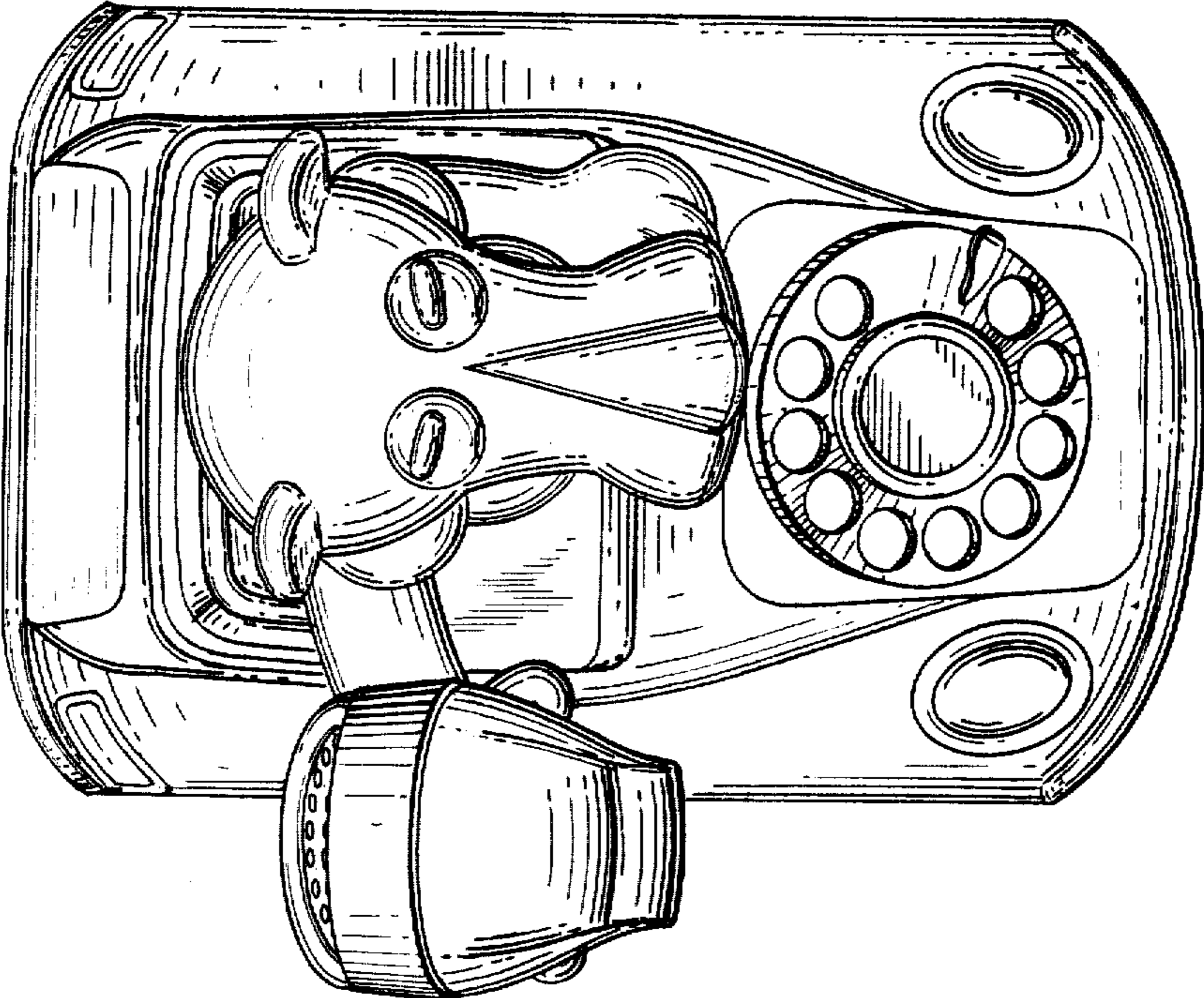


FIG. 10

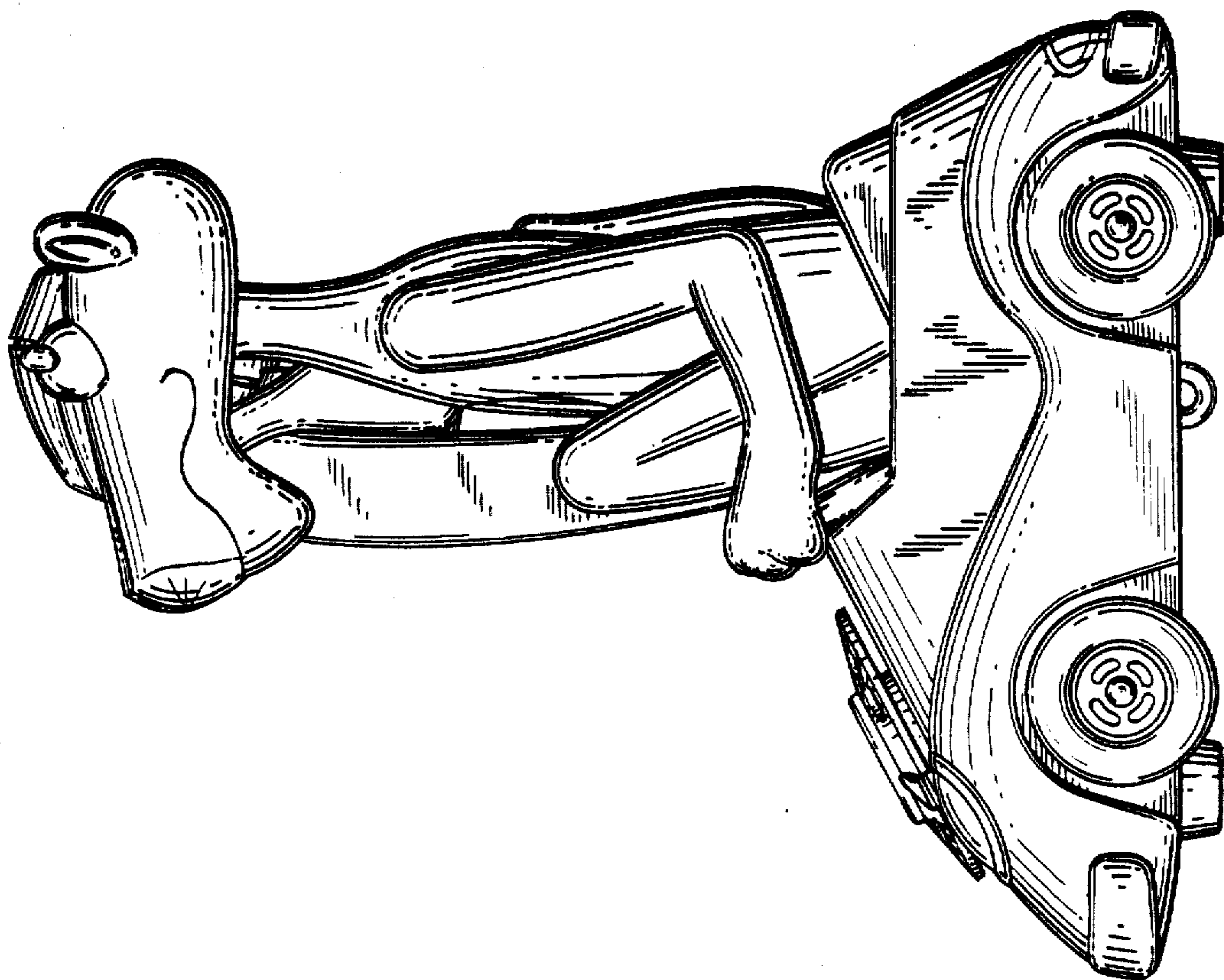


FIG. 9

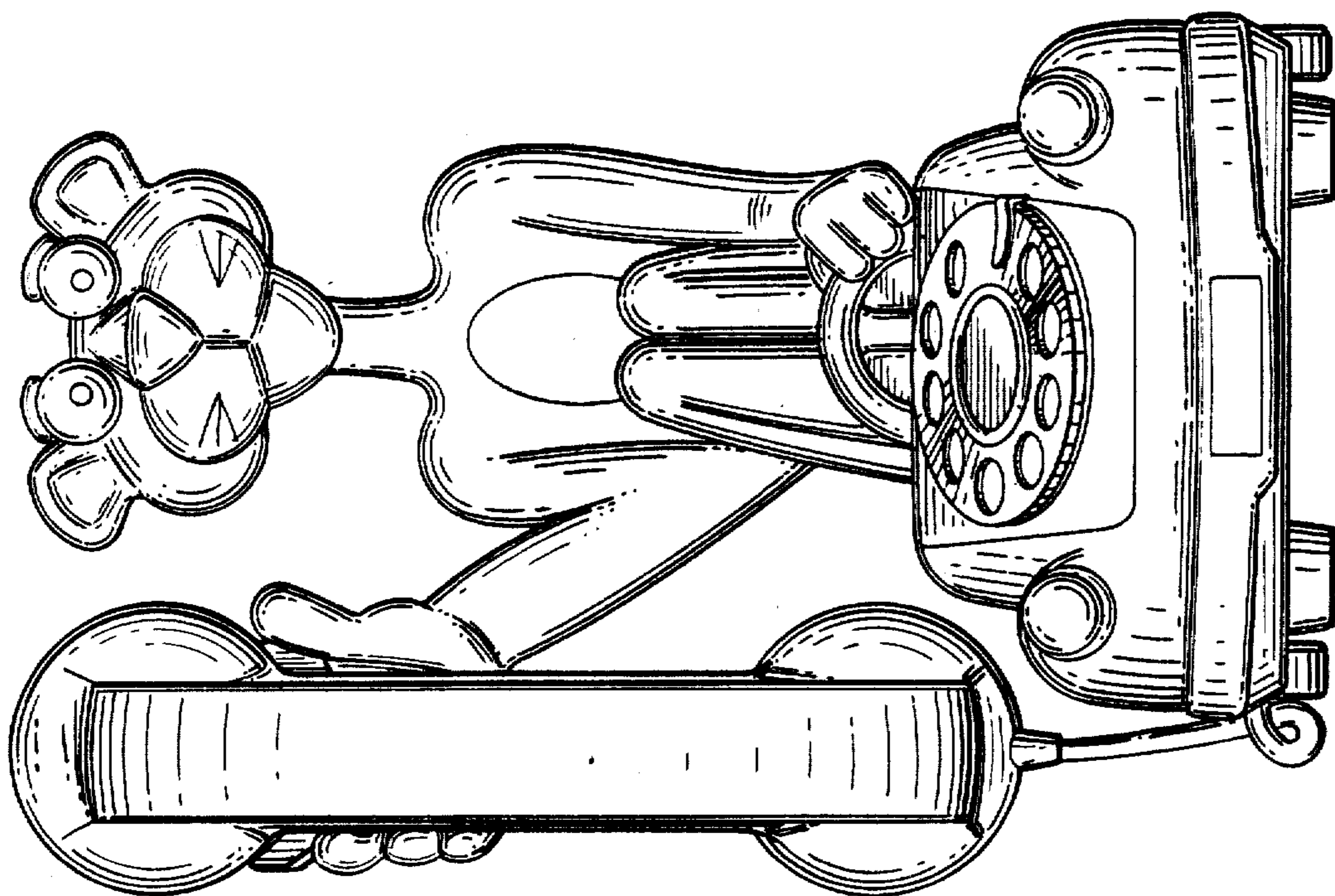


FIG. 12

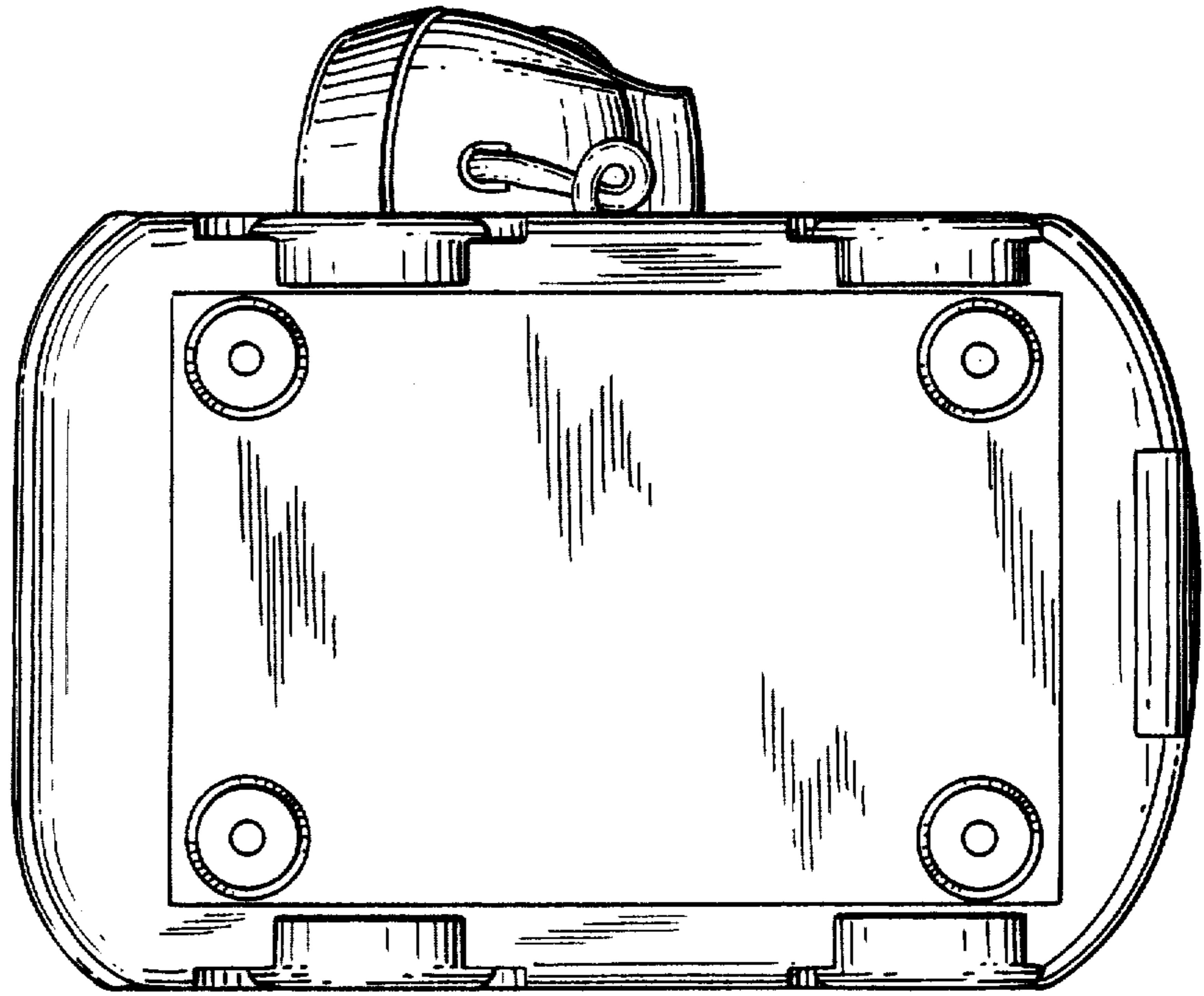


FIG. 11

