

- [54] **POLARIZED TERMINAL BLADE**
- [76] **Inventor:** Donald G. McGregor, 98 Power Rd., Pawtucket, R.I. 02860
- [**] **Term:** 14 Years
- [21] **Appl. No.:** 187,219
- [22] **Filed:** Sep. 15, 1980
- [51] **Int. Cl.** D13—03
- [52] **U.S. Cl.** D13/24
- [58] **Field of Search** D13/24; 339/184, 276 T, 339/278

[56]

References Cited

U.S. PATENT DOCUMENTS

- 3,742,432 6/1973 Curtis et al. 339/276 T
- 3,842,302 10/1974 Apostoleris 339/276 T X
- 3,915,543 10/1975 Pfeifer 339/184 R

Primary Examiner—Susan J. Lucas
Attorney, Agent, or Firm—Salter & Michaelson

[57] **CLAIM**

The ornamental design for a polarized terminal blade, substantially as shown.

DESCRIPTION

FIG. 1 is a top plan view of a polarized terminal blade showing my new design;
FIG. 2 is a bottom plan view thereof;
FIG. 3 is a side elevational view looking from the left with respect to FIG. 1;
FIG. 4 is a side elevational view looking from the right with respect to FIG. 1;
FIG. 5 is a front end view thereof;
FIG. 6 is a rear end view thereof; and
FIG. 7 is a perspective view taken from the rear, top and side.

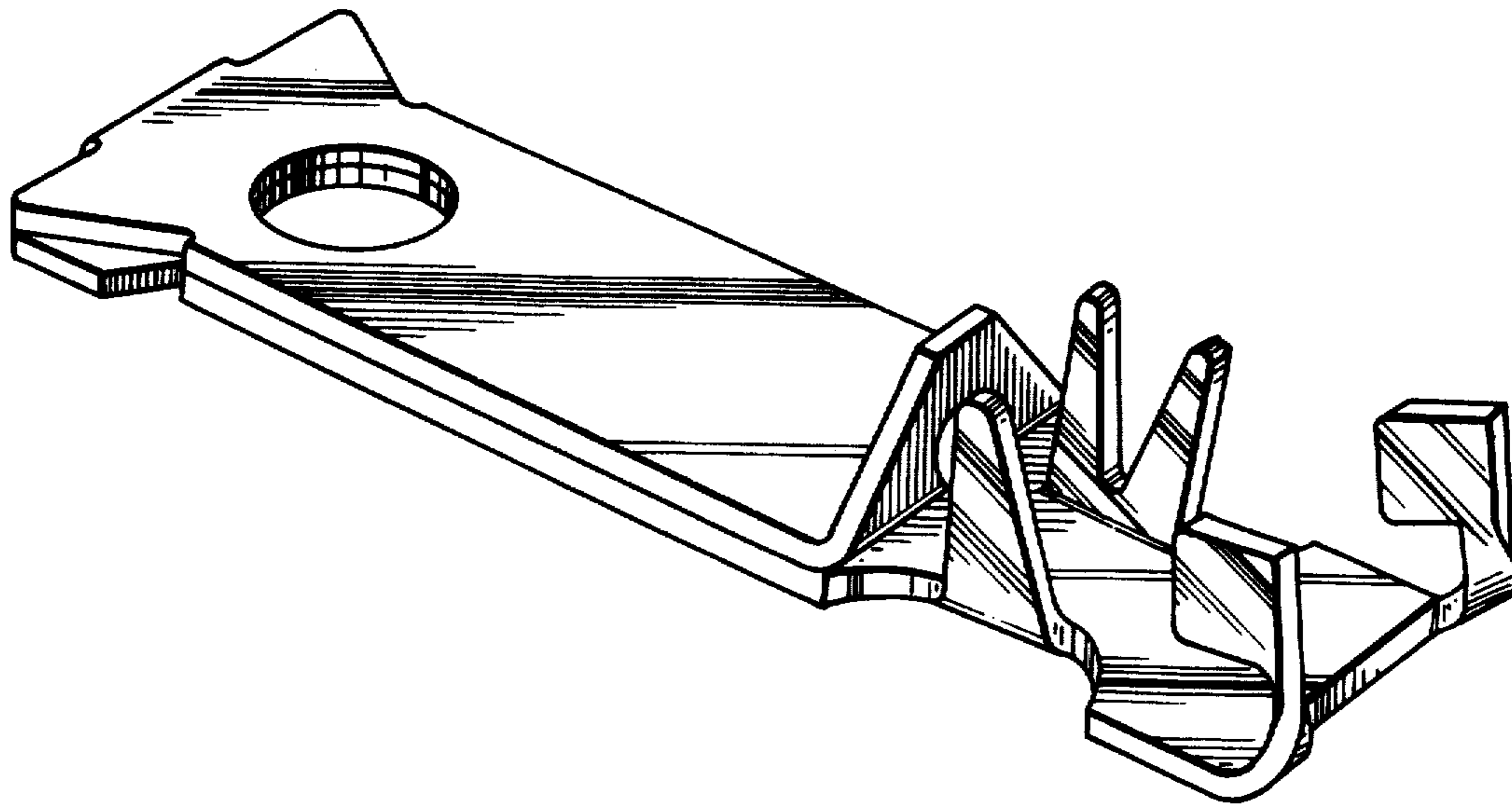


FIG. 1

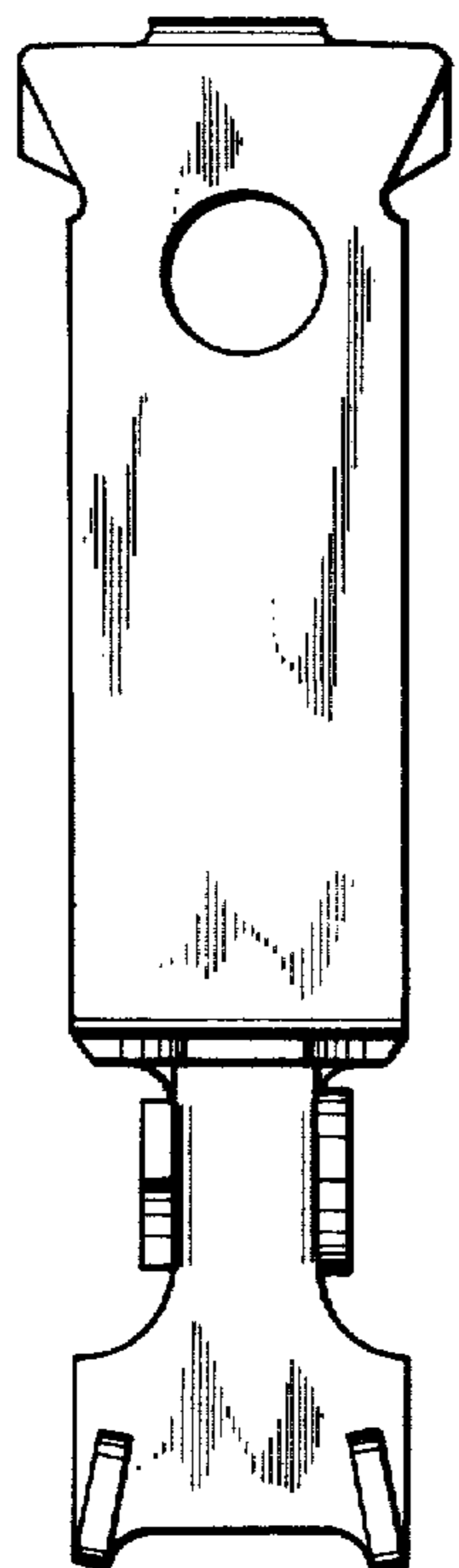


FIG. 5

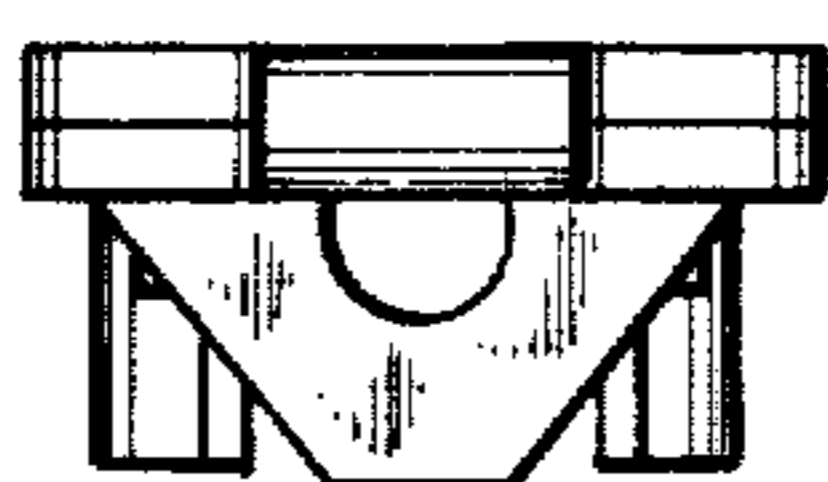


FIG. 2

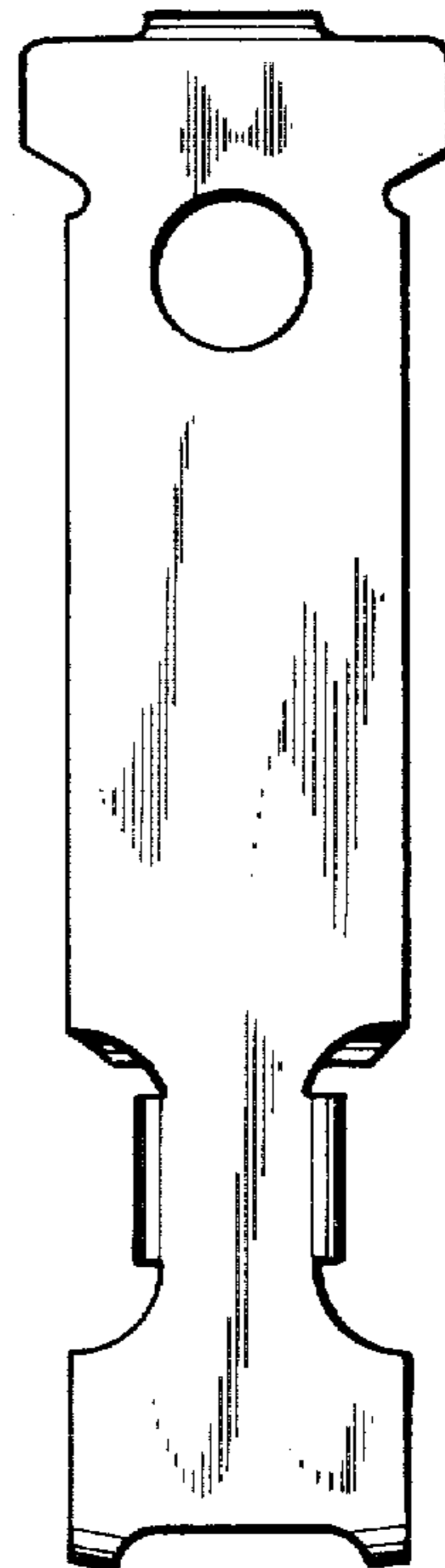


FIG. 3

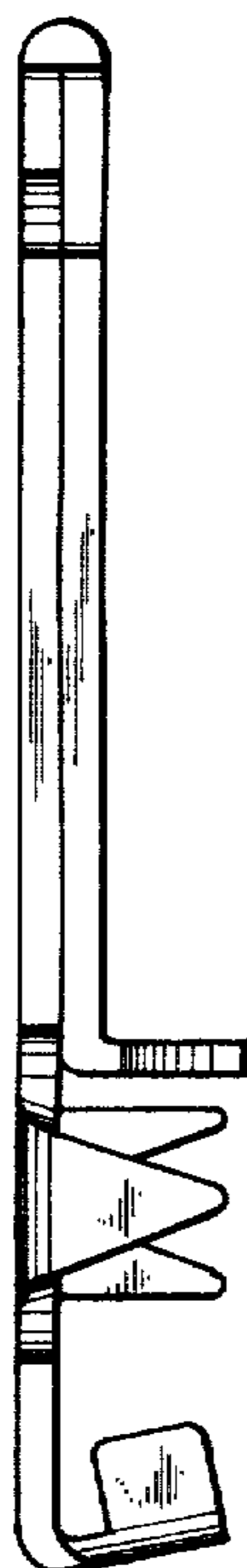


FIG. 6



FIG. 4



