

[54] DIAPHRAGM PLATE FOR A SERVOMOTOR

[75] Inventor: Robert L. Williams, South Bend, Ind.

[73] Assignee: The Bendix Corporation, Southfield, Mich.

[**] Term: 14 Years

[21] Appl. No.: 217,972

[22] Filed: Dec. 19, 1980

[51] Int. Cl. D13-01

[52] U.S. Cl. D13/1

[58] Field of Search D13/1, 2, 3; 310/324, 310/88, 89, 91; 91/369 A, 376; 92/48, 98 R, 99, 100

[56]

References Cited

U.S. PATENT DOCUMENTS

3,509,795	5/1970	Woodward	92/48 X
3,603,208	9/1971	Kytta	91/376 R
3,659,448	5/1972	Schaus	92/100 X
3,754,450	8/1973	Putt et al.	91/376 R
4,005,639	2/1977	Welsch, Jr.	91/376 R

Primary Examiner—Susan J. Lucas

Attorney, Agent, or Firm—Leo H. McCormick, Jr.; Ken C. Decker

[57]

CLAIM

The ornamental design for a diaphragm plate for a servomotor, as shown.

DESCRIPTION

FIG. 1 is a front perspective view of a diaphragm plate of a servomotor showing my new design; FIG. 2 is an elevational view thereof; and FIG. 3 is a cross-sectional view thereof taken along the diameter of the plate.

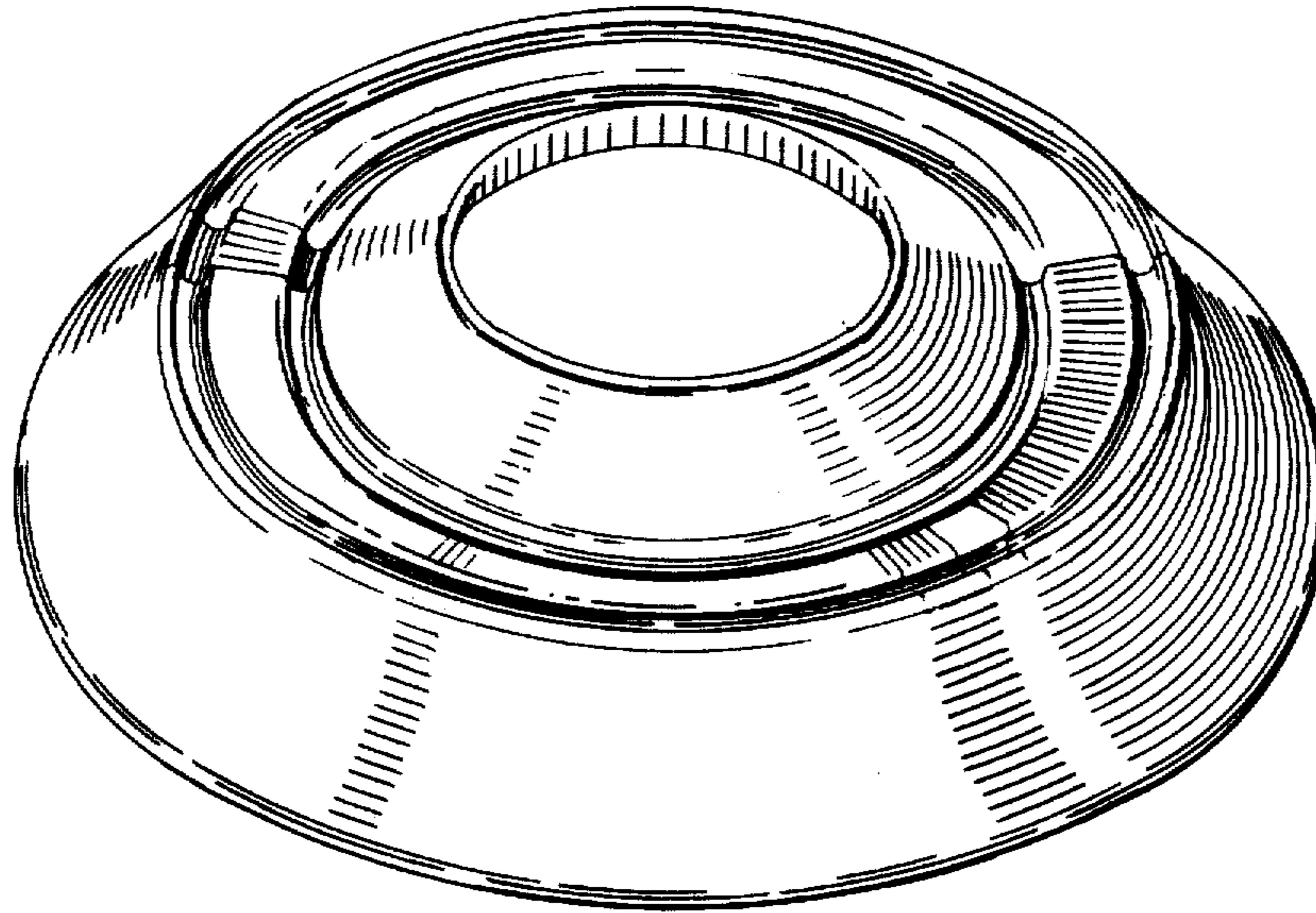


FIG. 1

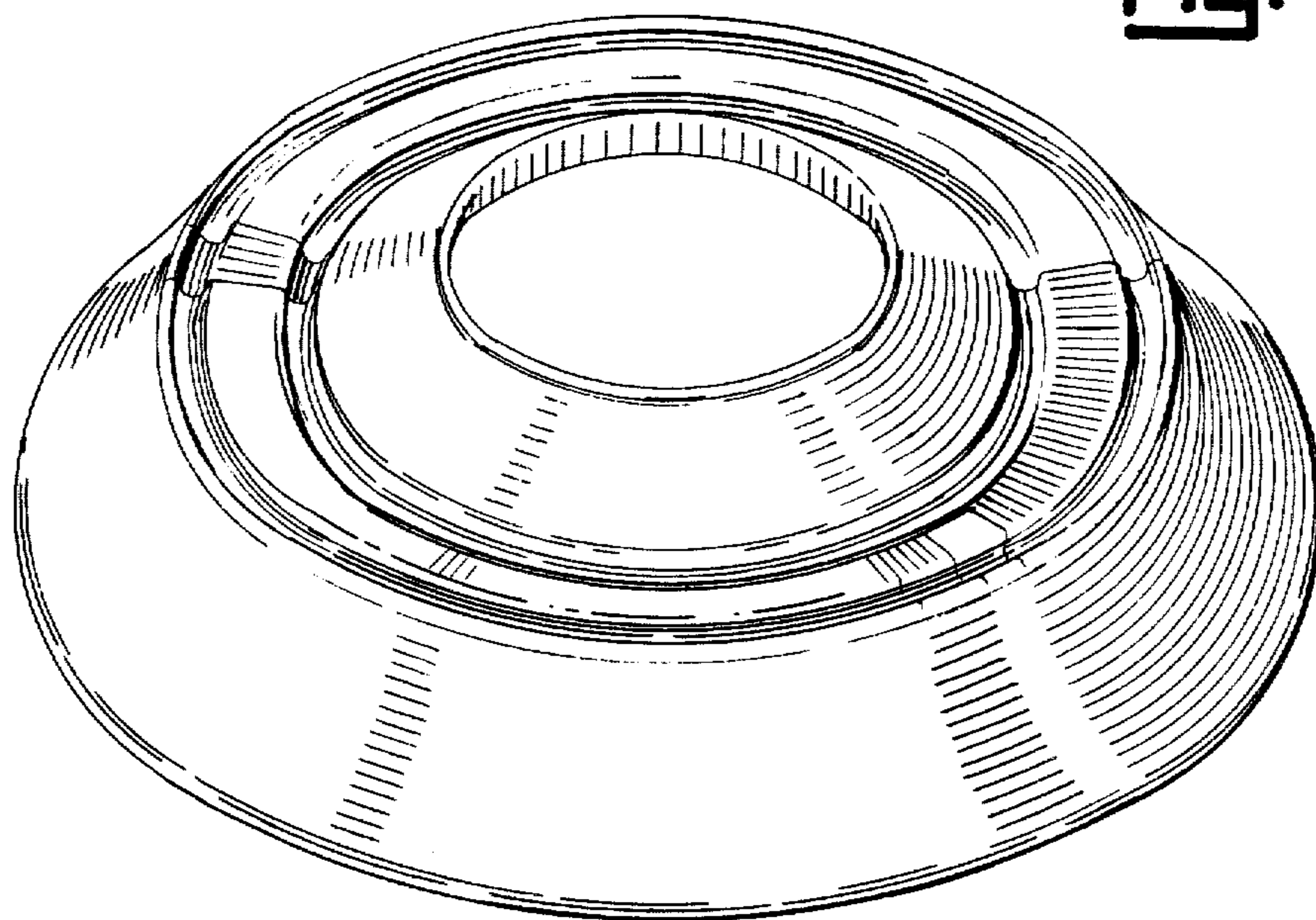


FIG. 2

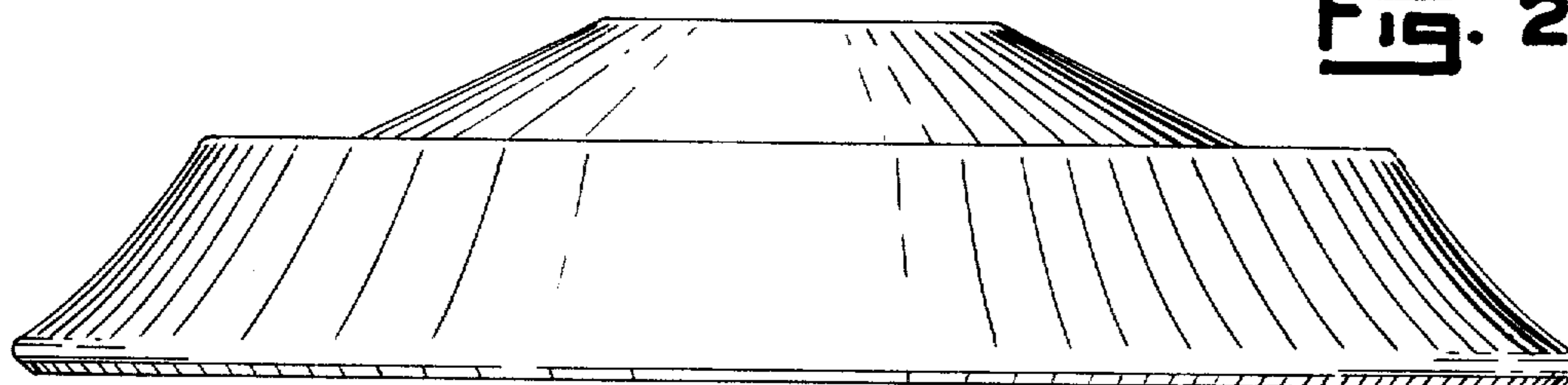


FIG. 3

