

[54] SUPPORT BRACKET FOR AUTOMOTIVE ROOF RACK

[76] Inventor: Joseph W. Schwarzli, 430 Comstock Rd., Scarborough, Ontario, Canada

[\*\*] Term: 14 Years

[21] Appl. No.: 231,628

[22] Filed: Feb. 5, 1981

[51] Int. Cl. .... D12-16

[52] U.S. Cl. .... D12/157

[58] Field of Search ..... D12/157; 224/323, 331, 224/329

[56] References Cited

U.S. PATENT DOCUMENTS

3,917,136 11/1975 Carson ..... 224/331

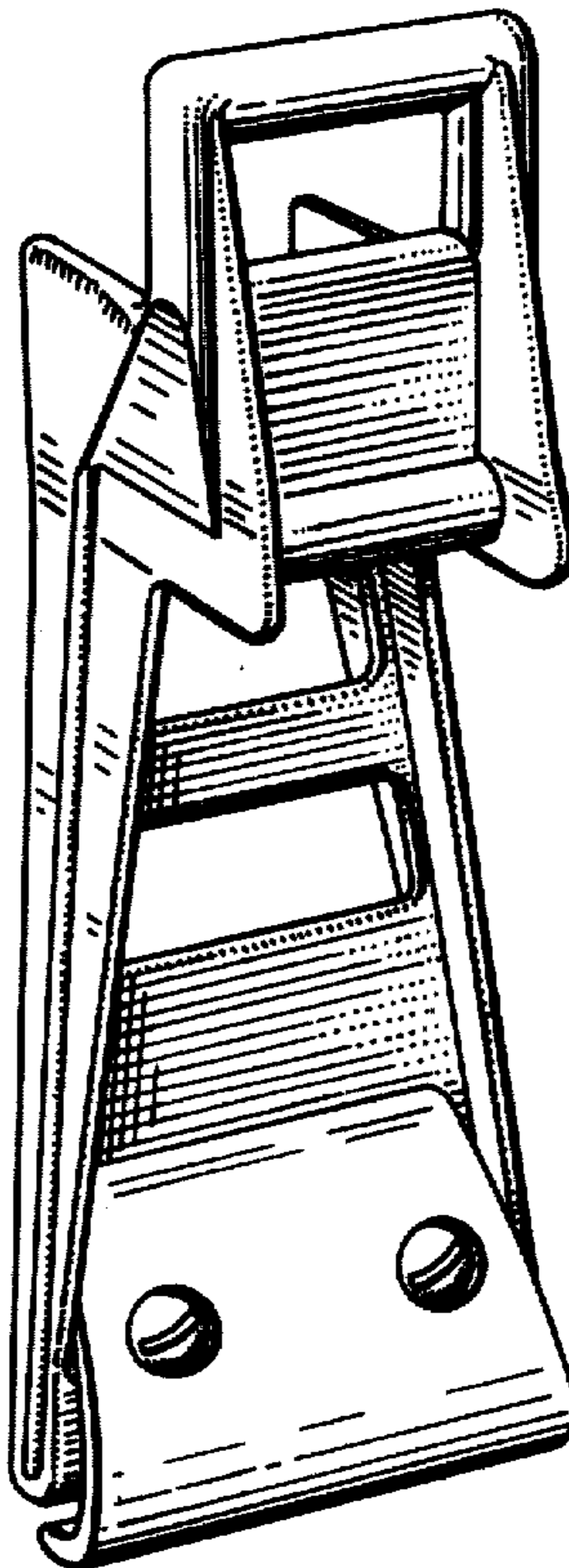
Primary Examiner—James M. Gandy  
Attorney, Agent, or Firm—Ridout & Maybee

[57] CLAIM

The ornamental design for a support bracket for automotive roof rack, as shown and described.

DESCRIPTION

FIG. 1 is a front perspective view of a support bracket for automotive roof rack showing my new design; FIG. 2 is a rear perspective view thereof; and FIG. 3 is a side elevational view thereof, the opposite side being a mirror image of that shown.



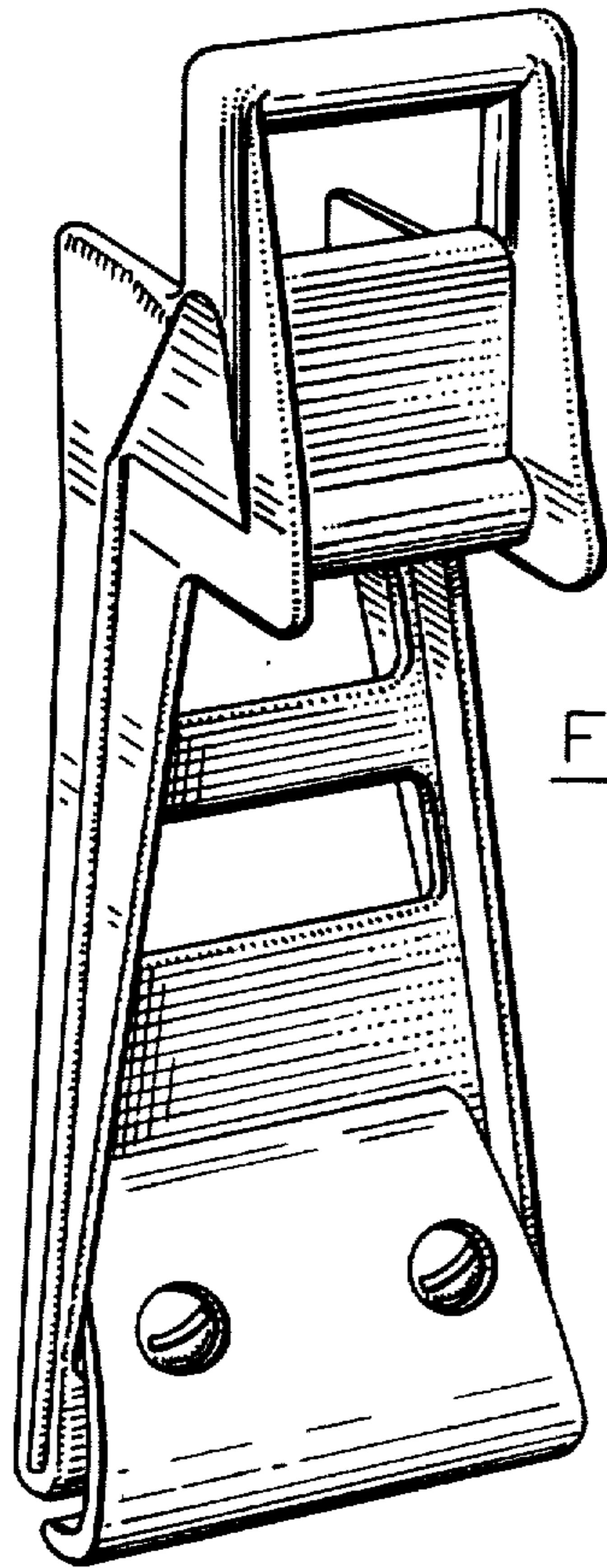


FIG. 1

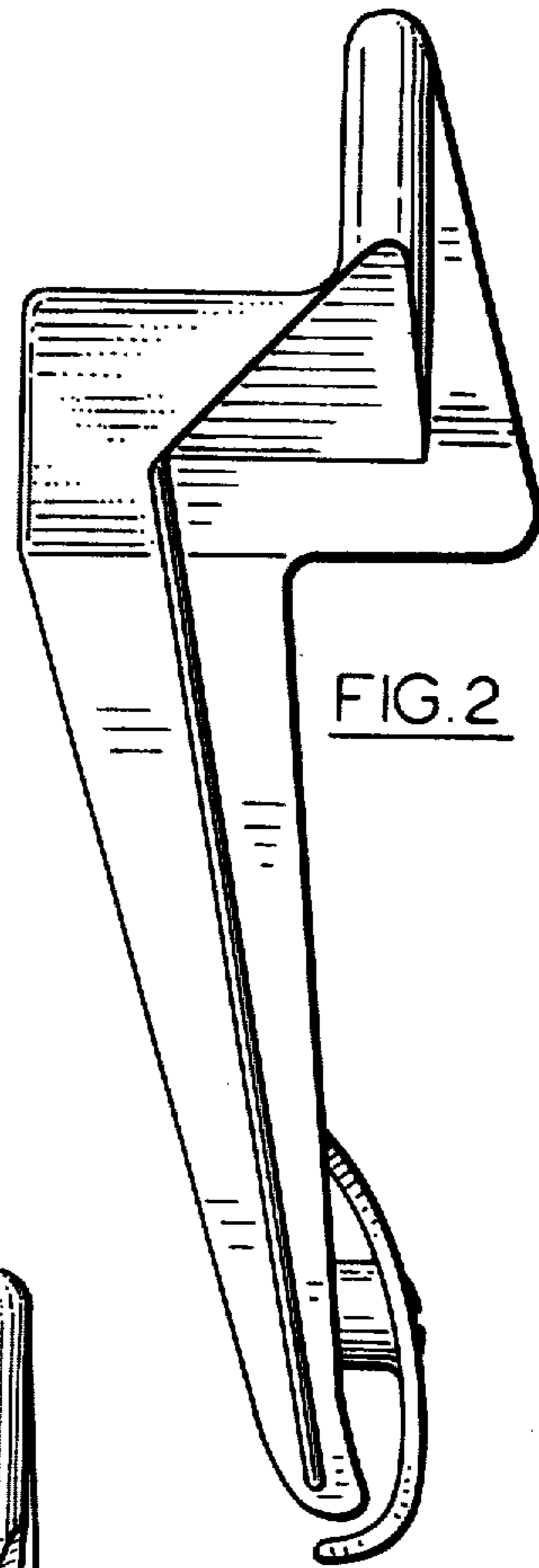


FIG. 2

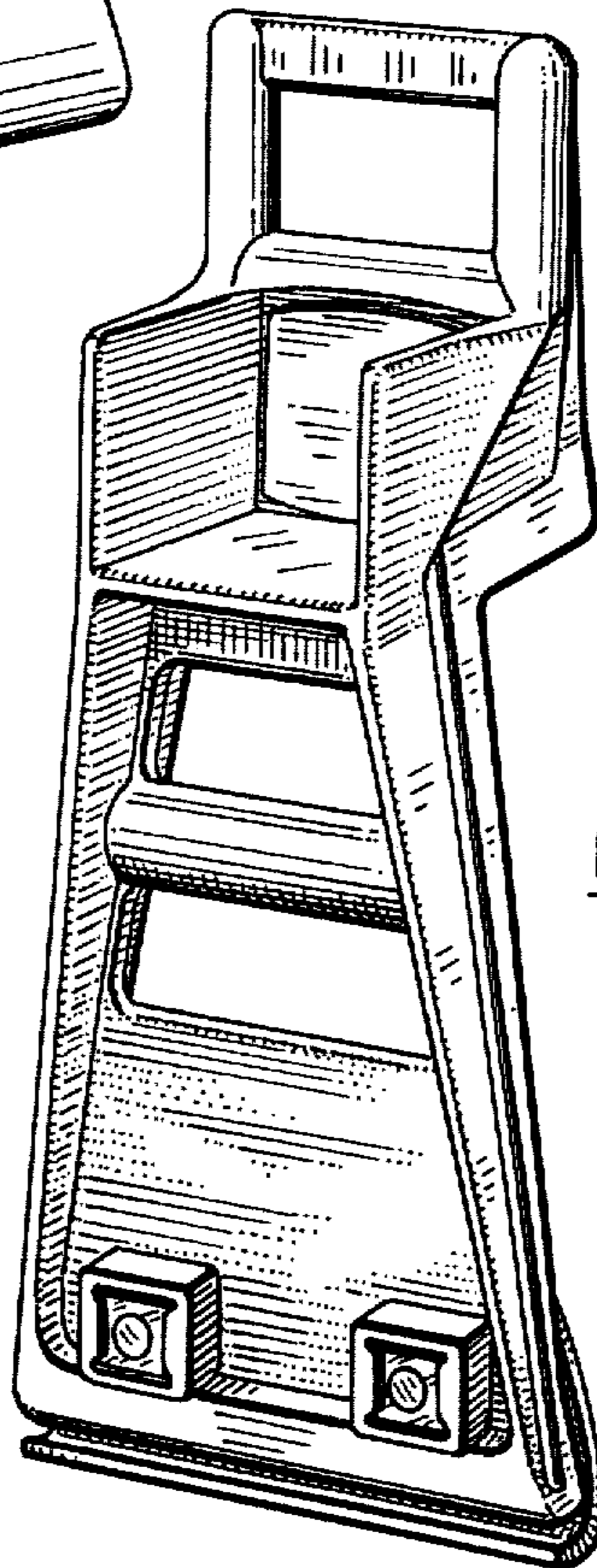


FIG. 3