

[54] **SECURING DEVICE FOR A GENERATOR
FIXED BY A SLIDEWAY ON SEAT-STAYS
OF A BICYCLE**

[75] **Inventor: Gilbert Geney, Seloncourt, France**

[73] **Assignee: Cycles Peugeot, Valentigney, France**

[**] **Term: 14 Years**

[21] **Appl. No.: 120,122**

[22] **Filed: Feb. 8, 1980**

[30] **Foreign Application Priority Data**

Feb. 8, 1980 [FR] France 80 387

[51] **Int. Cl. D8-08**

[52] **U.S. Cl. D8/382; D8/394**

[58] **Field of Search D8/354, 382, 394;
248/674, 360, 230; 24/243 R**

[56] **References Cited**

U.S. PATENT DOCUMENTS

640,446 1/1900 Converse 24/243 R
746,188 12/1903 Sonsthagen 24/243 R
2,503,468 4/1950 Carey 24/243 R

OTHER PUBLICATIONS

Dahlstrom Catalog 12; pub. 1969; p. 137; channel X9700.

Primary Examiner—B. J. Bullock

Attorney, Agent, or Firm—Abelman, Frayne & Rezac

[57] **CLAIM**

The ornamental design for a securing device for a generator fixed by a slideway on seat-stays of a bicycle, as shown and described.

DESCRIPTION

FIG. 1 is a front, right perspective view of the securing device for a generator fixed by a slideway on seat-stays of a bicycle showing my new design;

FIG. 2 is a rear perspective view thereof;

FIG. 3 is an exploded perspective view thereof, the broken line showing of a portion of a generator support being shown for illustrative purposes only.

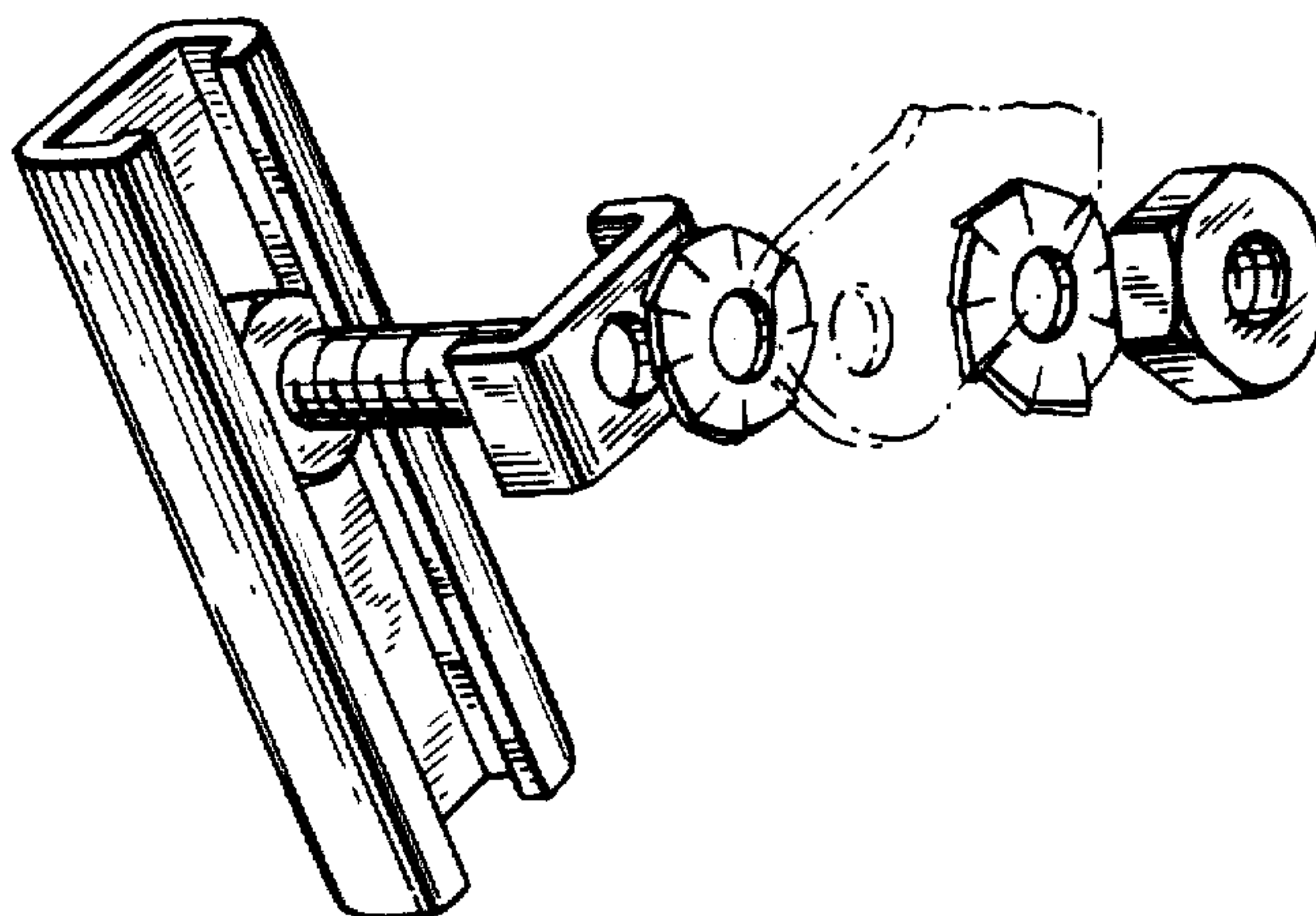


FIG. 1

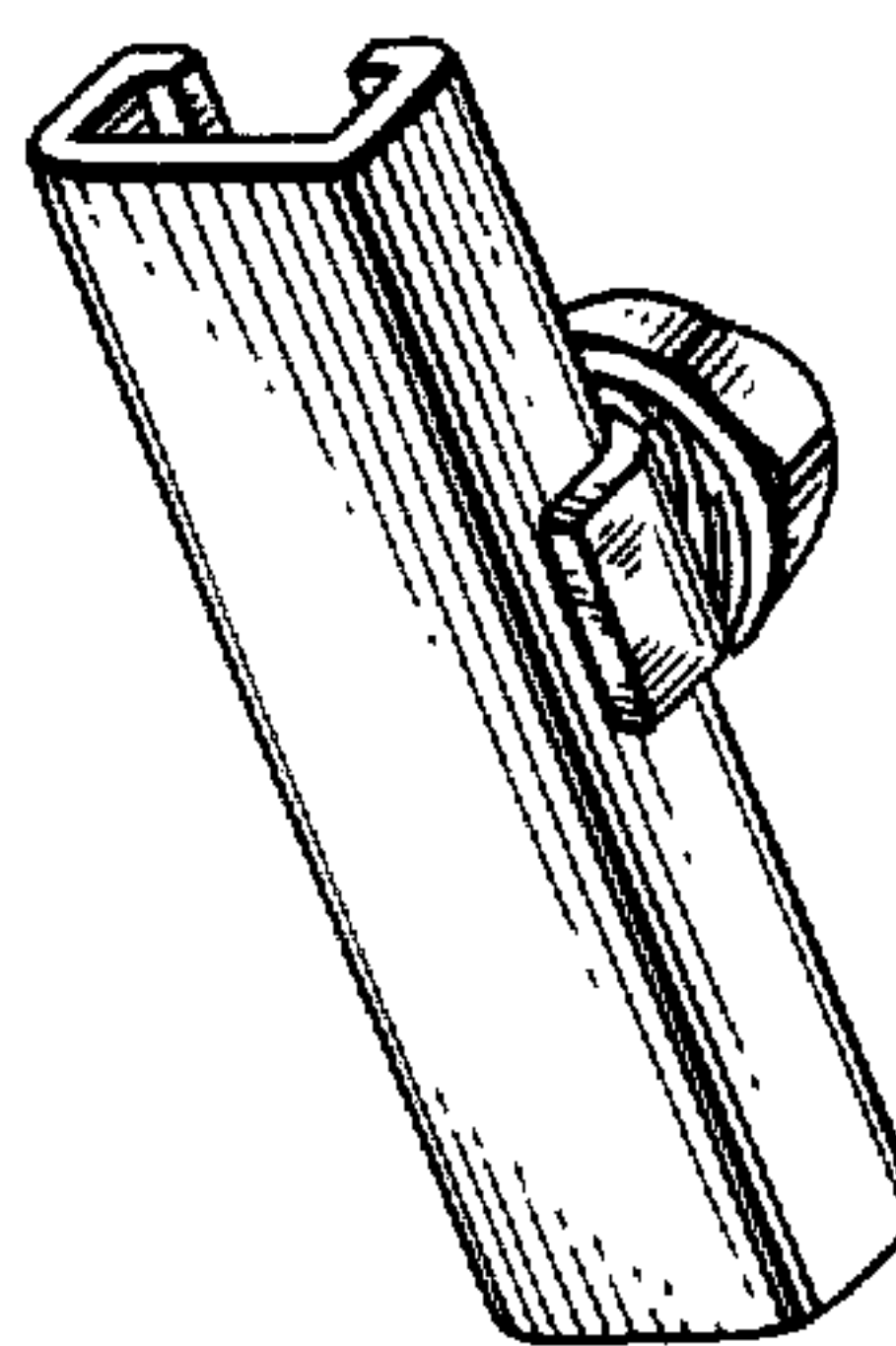


FIG. 2

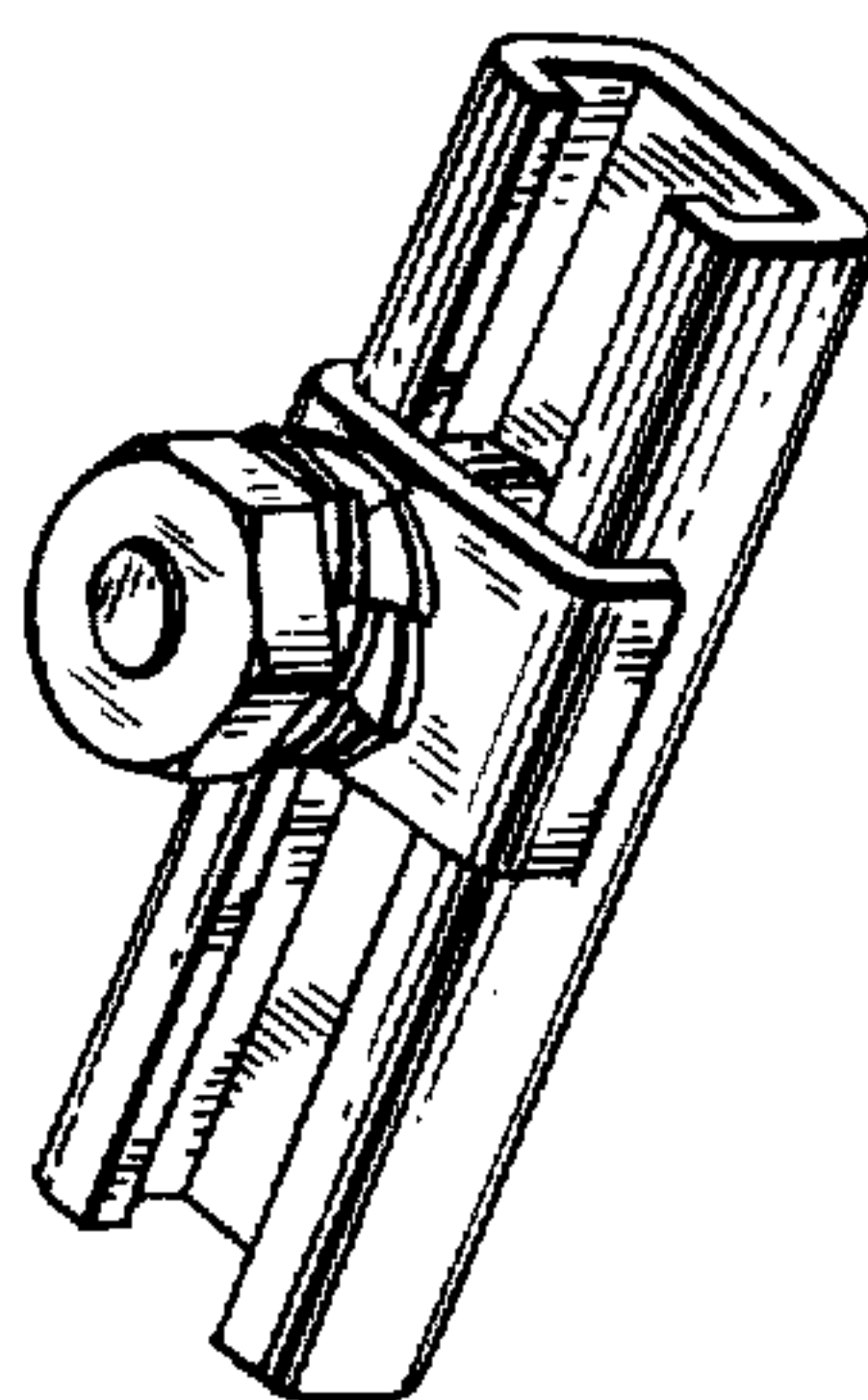


FIG. 3

