

[54] SUPPORT BRACKET FOR A TABLE LEG

[75] Inventor: Edwin C. Sandham, Thiensville, Wis.

[73] Assignee: Nordson Corporation, Amherst, Ohio

[**] Term: 14 Years

[21] Appl. No.: 244,157

[22] Filed: Mar. 16, 1981

[51] Int. Cl. D6-06

[52] U.S. Cl. D6/194

[58] Field of Search D6/177, 178, 179, 194,
D6/191, 196; 248/200, 214, 218.4, 219.3, 220.1;
D8/396; 211/183

[56] References Cited

U.S. PATENT DOCUMENTS

- D. 163,027 4/1951 Colson D6/194
- D. 188,305 6/1960 Hosking D8/396
- D. 197,028 12/1963 Rubin D8/396
- D. 259,380 6/1981 Welsch D6/191

- 2,716,533 8/1955 Freeman 248/218.4 X
- 2,940,714 6/1960 Waitt 248/218.4

Primary Examiner—Bruce W. Dunkins
Attorney, Agent, or Firm—Wood, Herron & Evans

[57] CLAIM

The ornamental design for a support bracket for a table leg, as shown and described.

DESCRIPTION

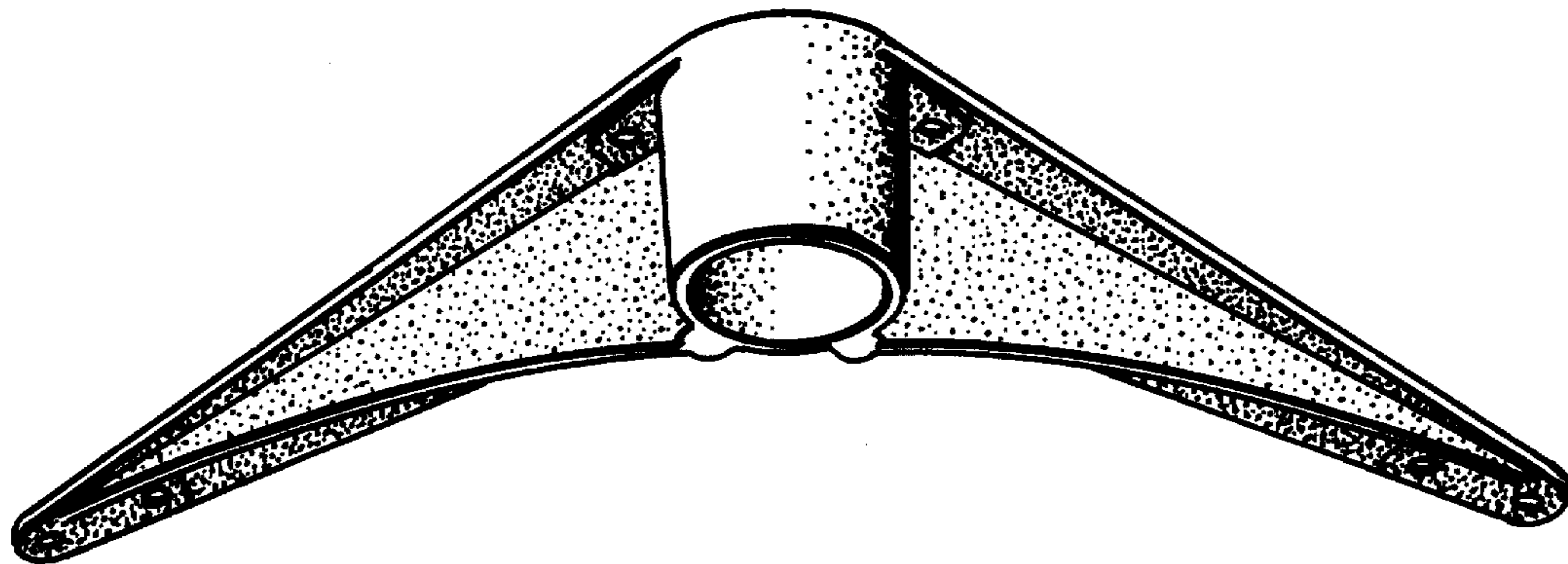
FIG. 1 is a bottom perspective view of the support bracket for a table leg incorporating my novel design.

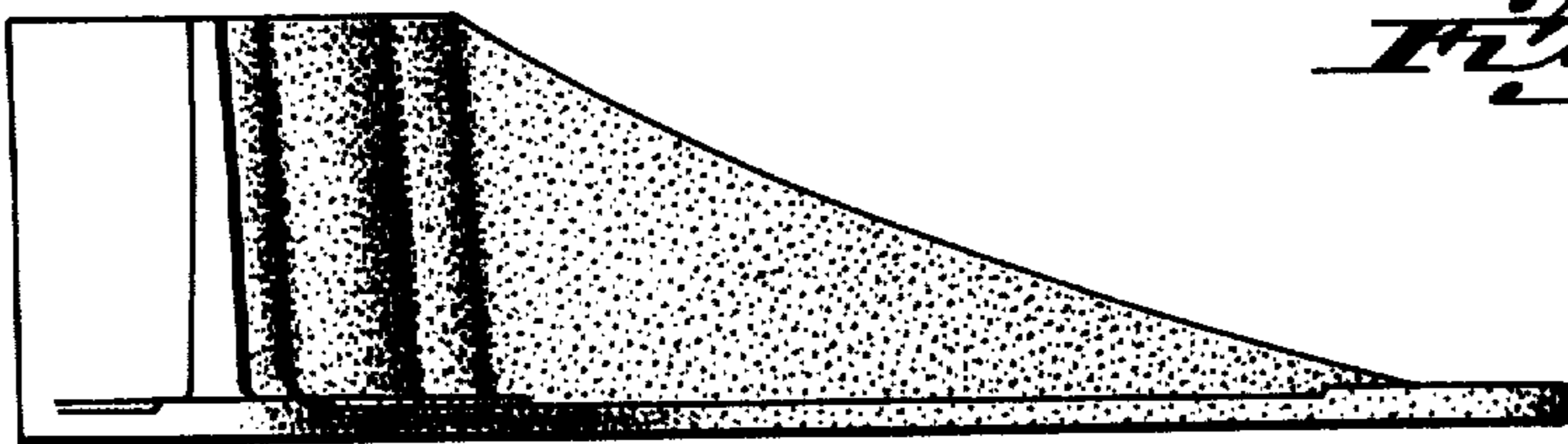
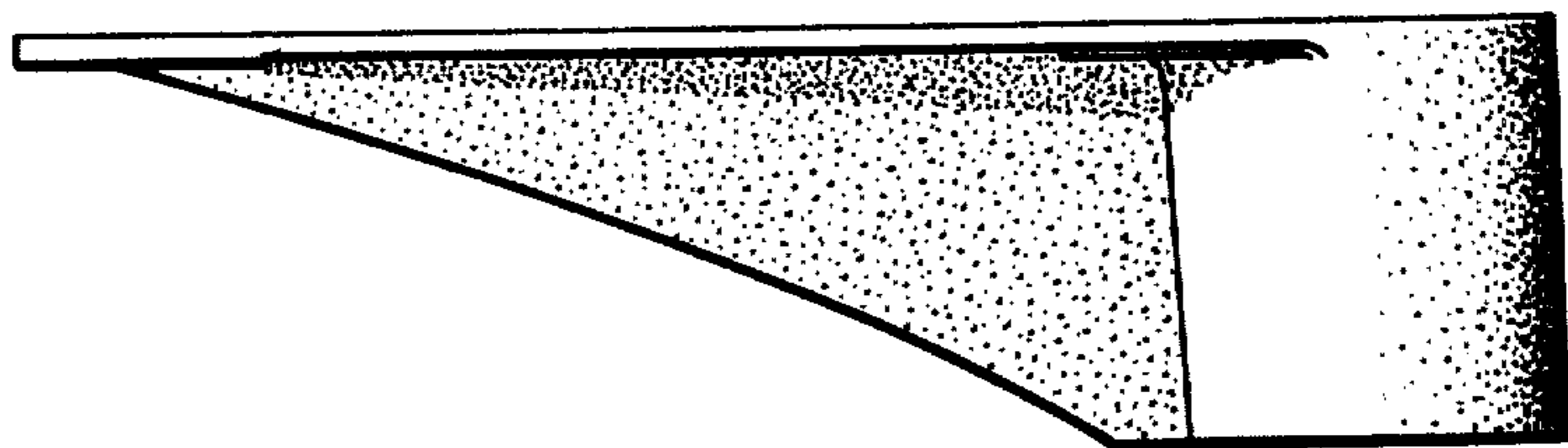
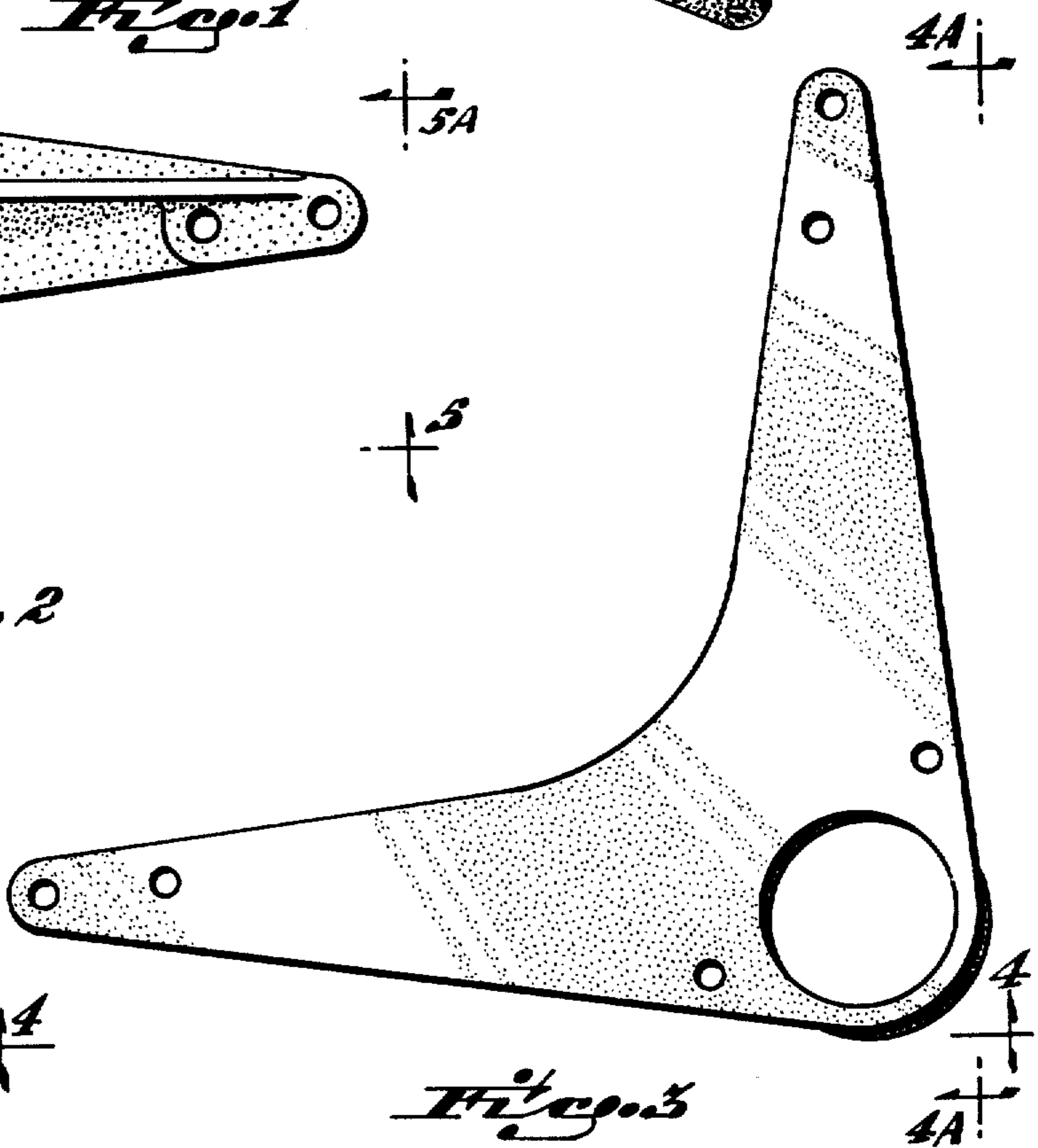
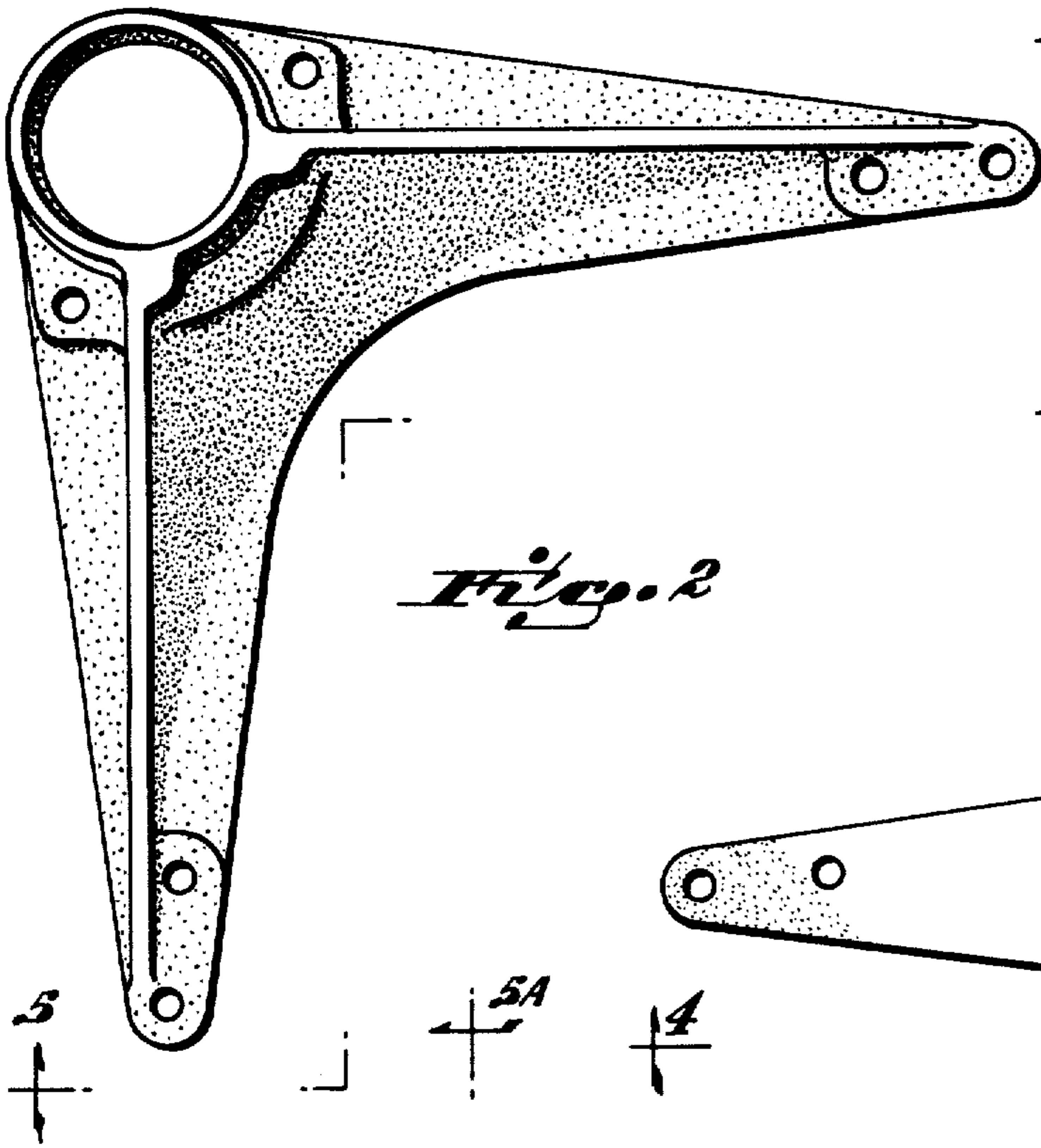
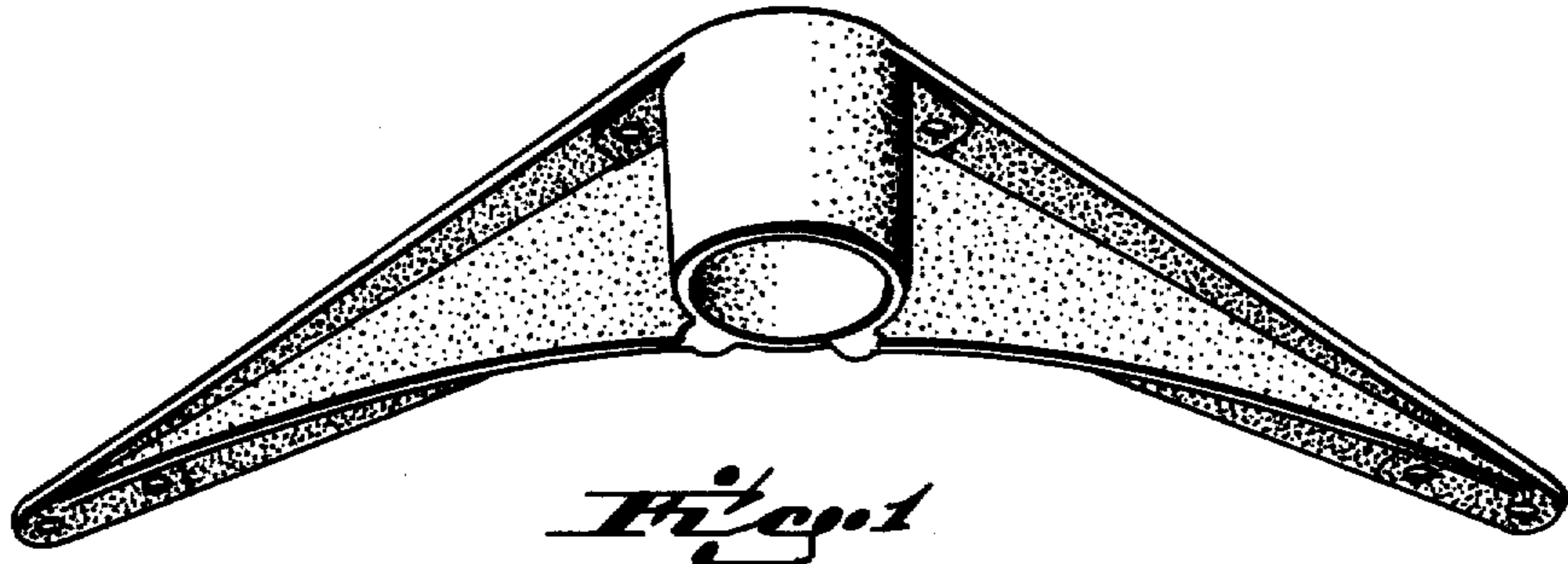
FIG. 2 is a bottom plan view thereof.

FIG. 3 is a top plan view thereof.

FIG. 4 is a front elevational view of one leg of the bracket taken on line 4—4 of FIG. 3, the other leg of which as viewed on line 4A—4A of FIG. 3 is a mirror image thereof.

FIG. 5 is a rear elevational view of one leg of the bracket taken on line 5—5 of FIG. 2, the other leg of which as viewed on line 5A—5A is a mirror image thereof.





3

5A

4

5A

3

4A

4
4A

Fig. 3

Fig. 4

Fig. 5

UNITED STATES PATENT AND TRADEMARK OFFICE
CERTIFICATE OF CORRECTION

PATENT NO. : Design 269,756
DATED : July 19, 1983
INVENTOR(S) : Edwin C. Sandham

It is certified that error appears in the above-identified patent and that said Letters Patent is hereby corrected as shown below:

Page 1 - "Assignee: Nordson Corporation, Amherst, Ohio"
should be -- Assignee: Leggett & Platt, Incorporated,
Carthage, Missouri --

Signed and Sealed this

Twenty-fifth **Day of** *October 1983*

[SEAL]

Attest:

Attesting Officer

GERALD J. MOSSINGHOFF

Commissioner of Patents and Trademarks