

[54] **CHAIR**

[75] **Inventor:** **Wolfgang Müller-Deisig,**
Borgenteich, Fed. Rep. of Germany

[73] **Assignee:** **Fehlbaum & Co., Dornach,**
Switzerland

[**] **Term:** **14 Years**

[21] **Appl. No.:** **212,467**

[22] **Filed:** **Dec. 3, 1980**

[51] **Int. Cl. D6—01**

[52] **U.S. Cl. D6/31**

[58] **Field of Search D6/26, 30, 31, 47, 67**

[56] **References Cited**

U.S. PATENT DOCUMENTS

- D. 256,740 9/1980 Acton D6/31
- D. 259,000 4/1981 Vogtherr D6/31

OTHER PUBLICATIONS

Design Catalog, 9-1976, p. 35, Chair top right.
Arbitare, May 1979, p. 51, Chair bottom right.

Primary Examiner—Bruce W. Dunkins
Attorney, Agent, or Firm—Ladas & Parry

[57] **CLAIM**

The ornamental design for a chair, substantially as shown.

DESCRIPTION

FIG. 1 is a perspective view of a chair showing my new design;
FIG. 2 is a front elevation thereof;
FIG. 3 is a rear elevation thereof;
FIG. 4 is a right side elevation thereof;
FIG. 5 is a top plan view thereof;
FIG. 6 is a bottom plan view thereof.



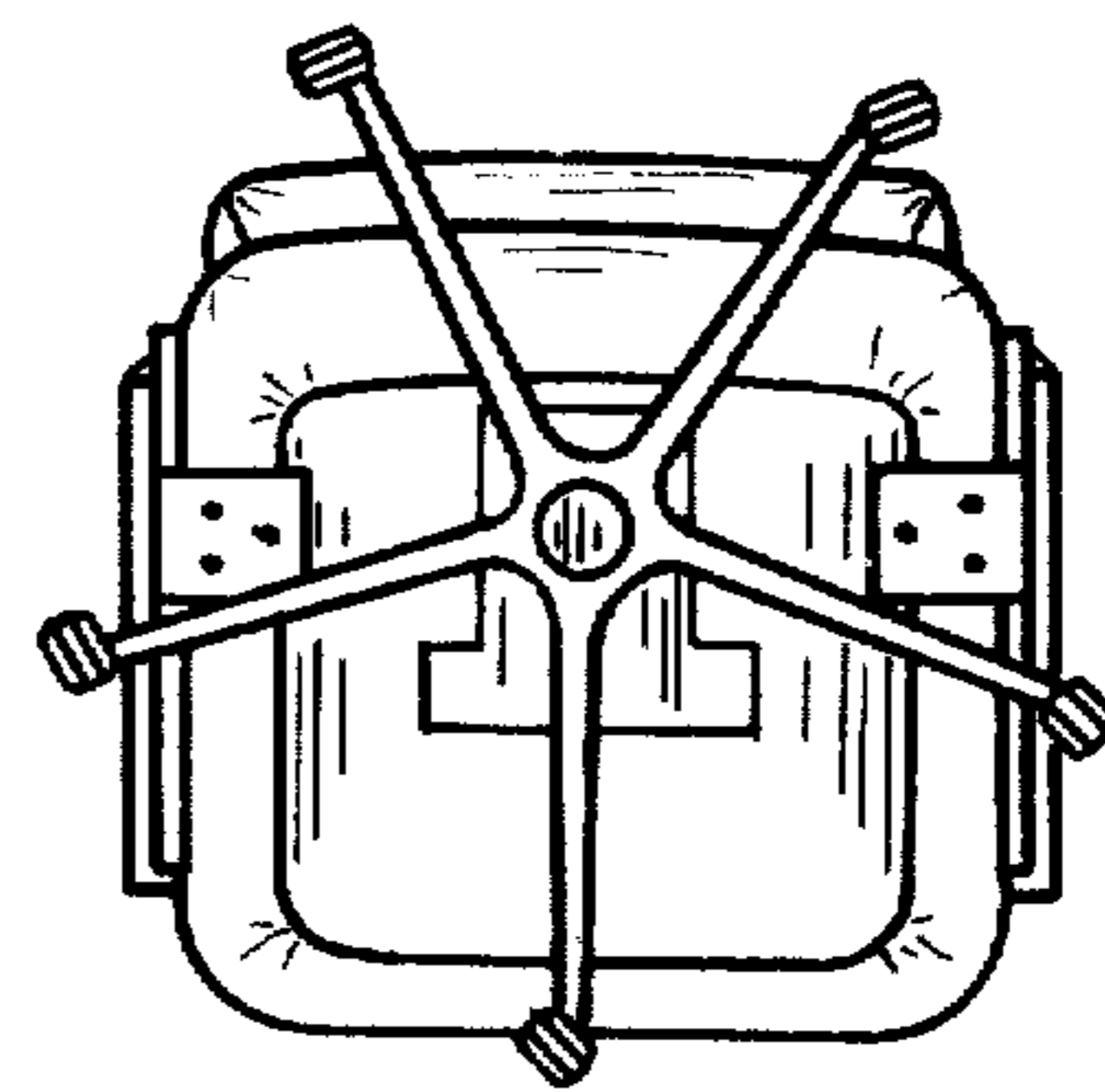
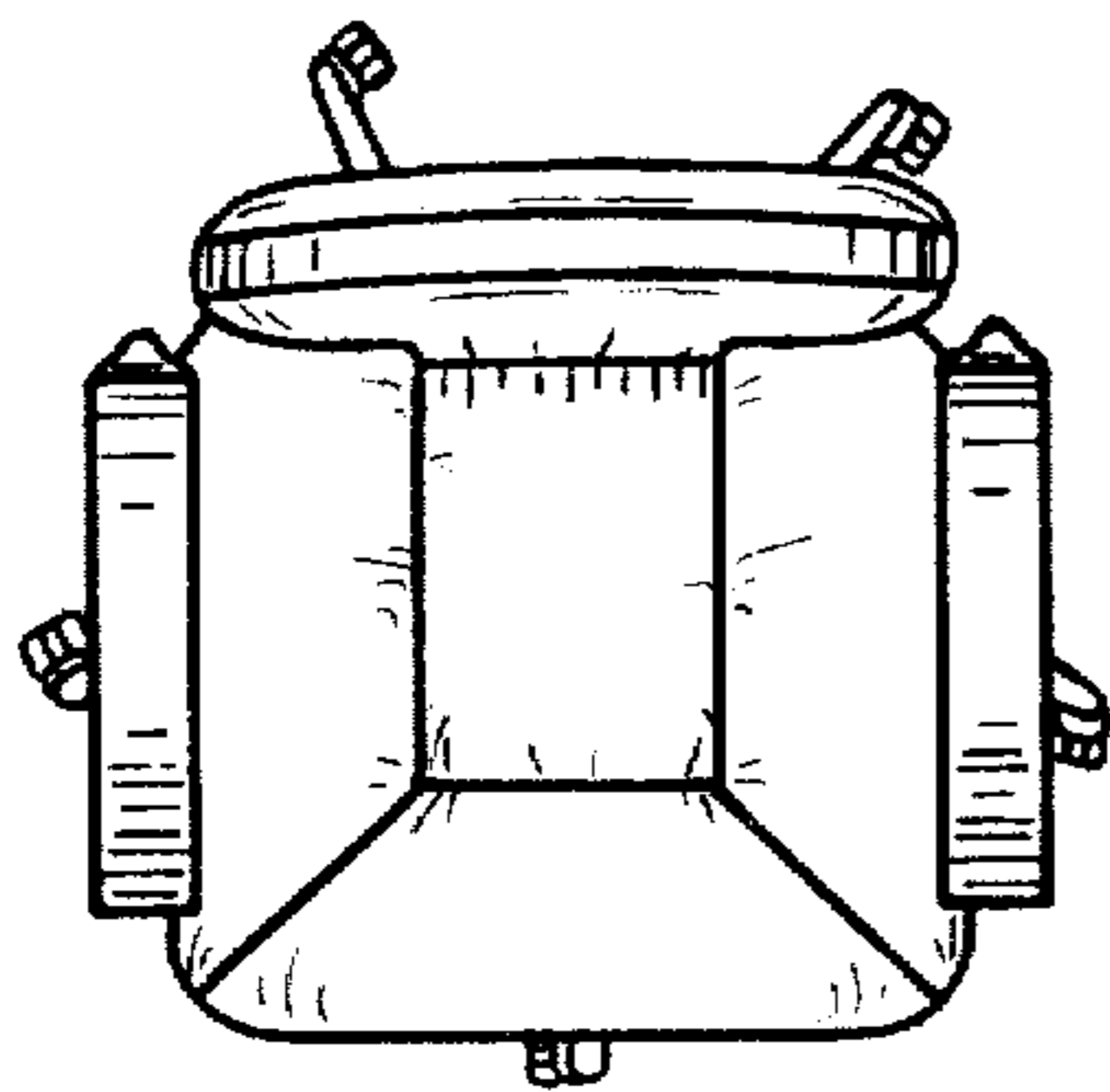
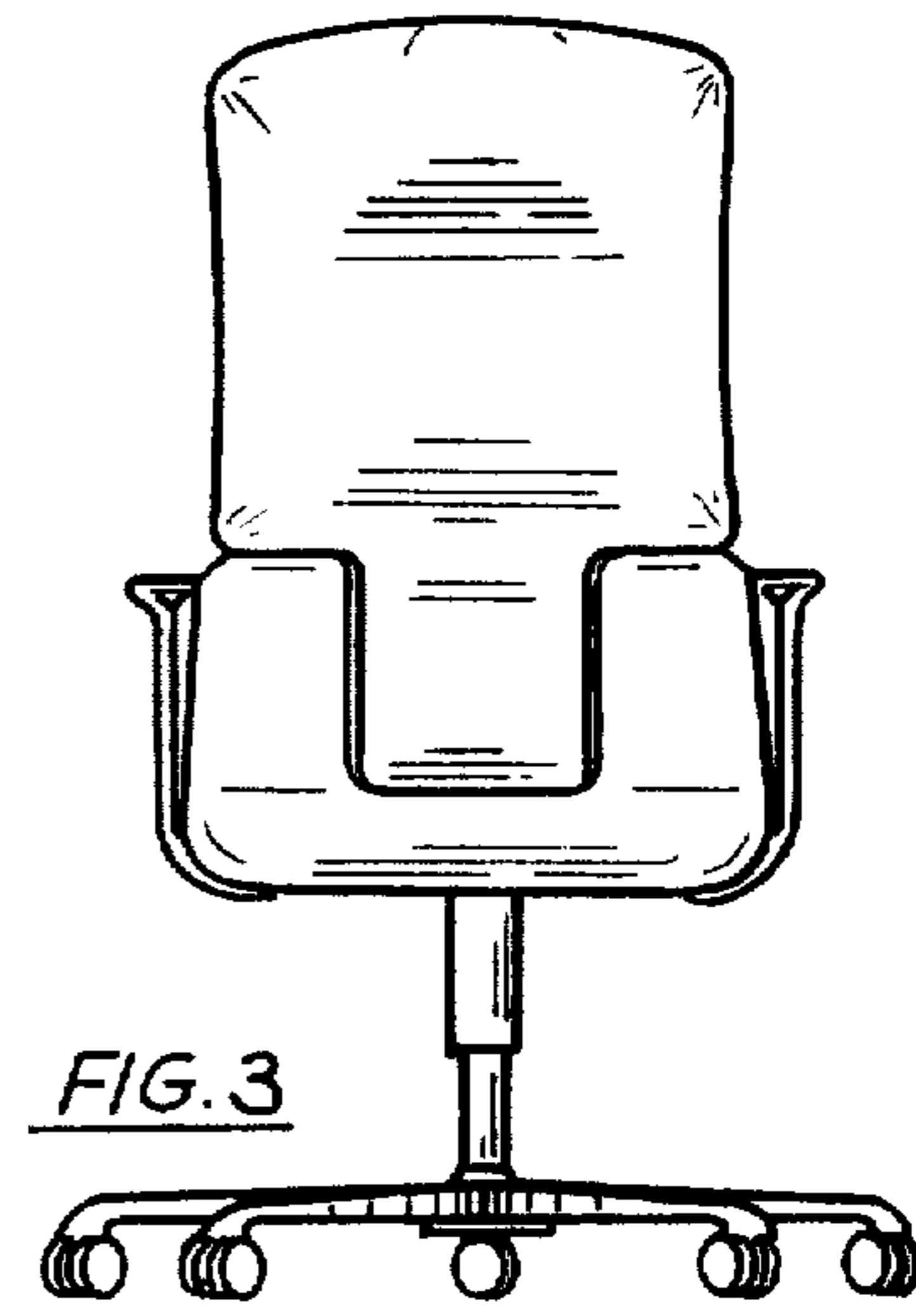
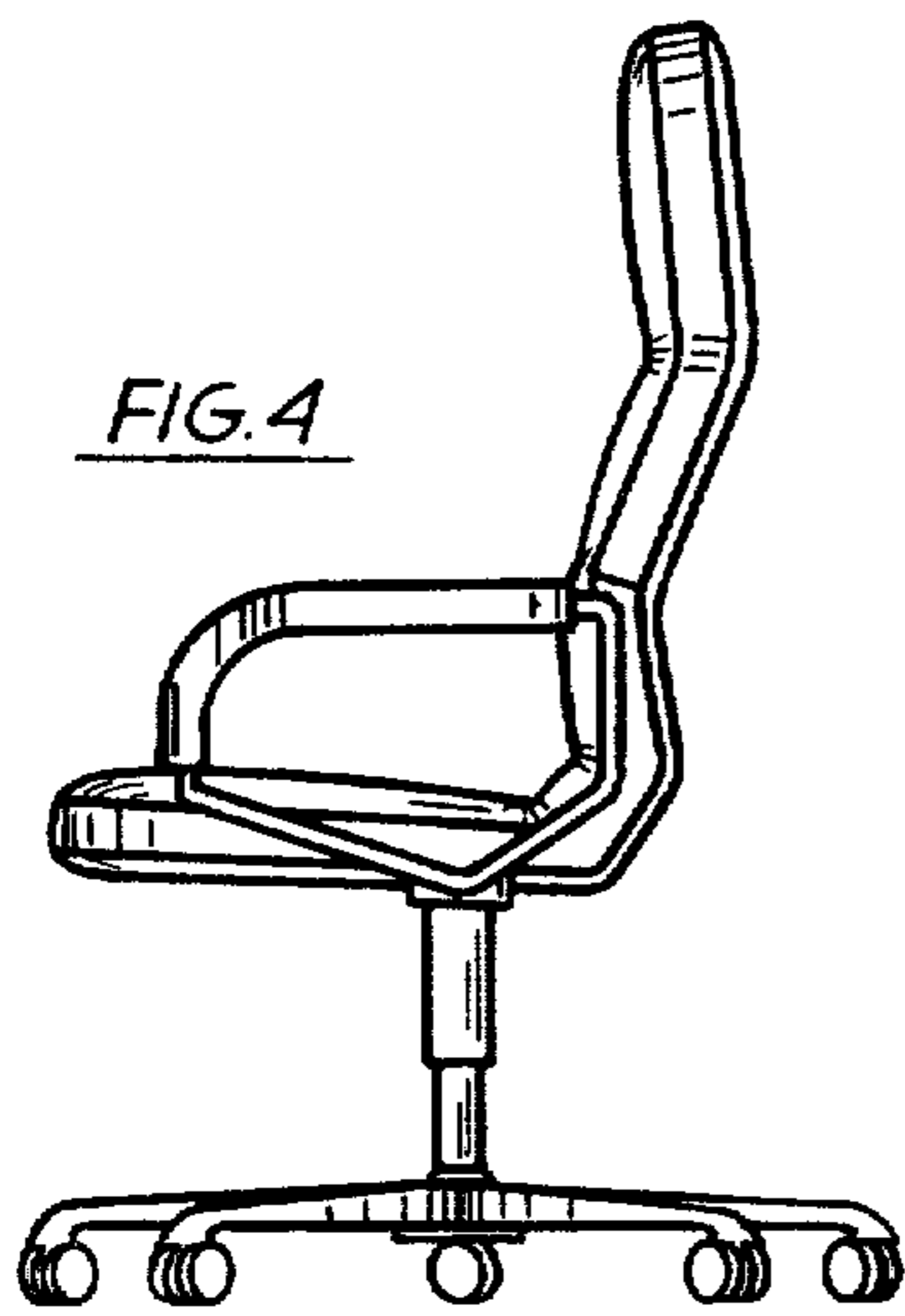
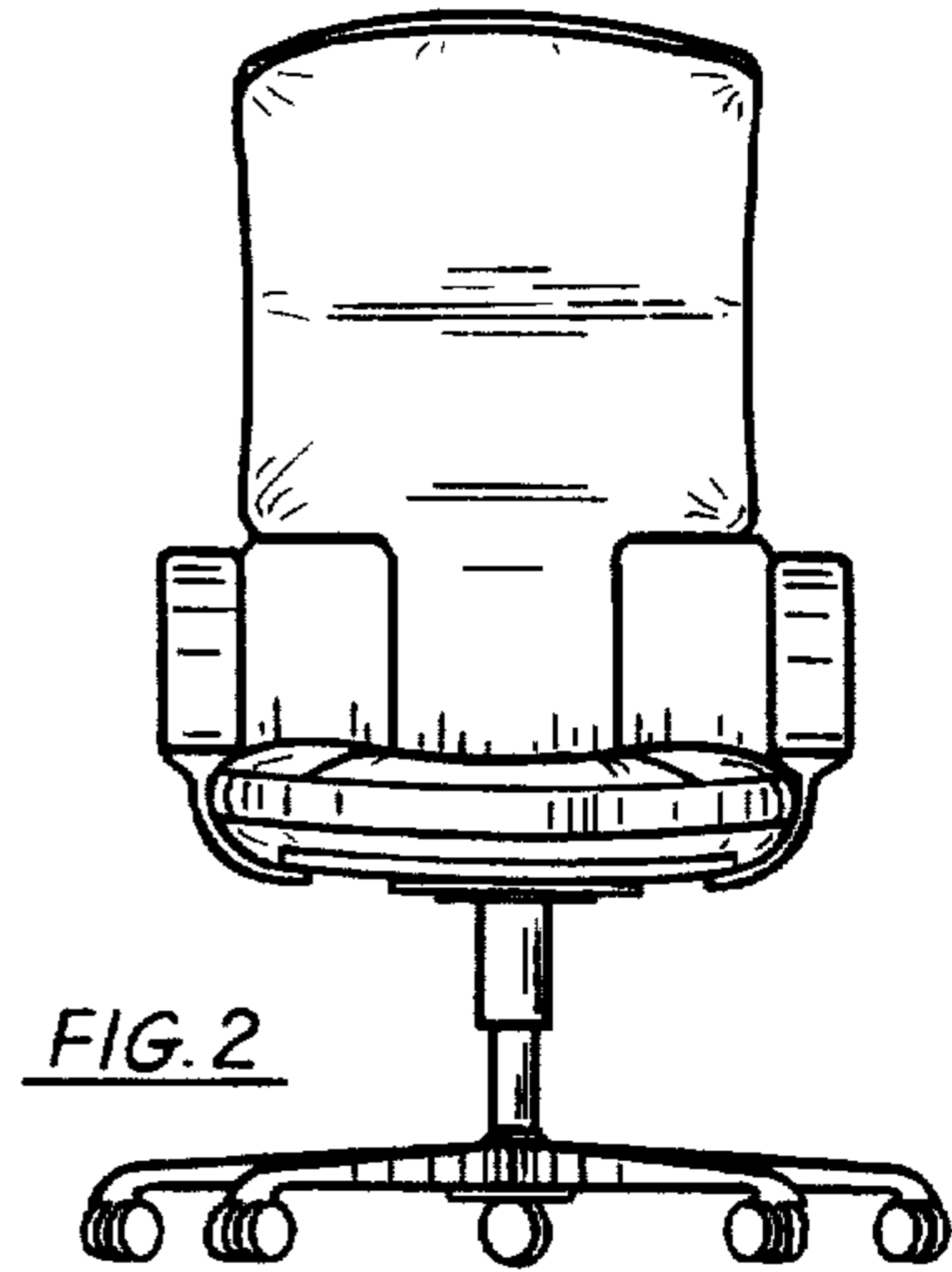
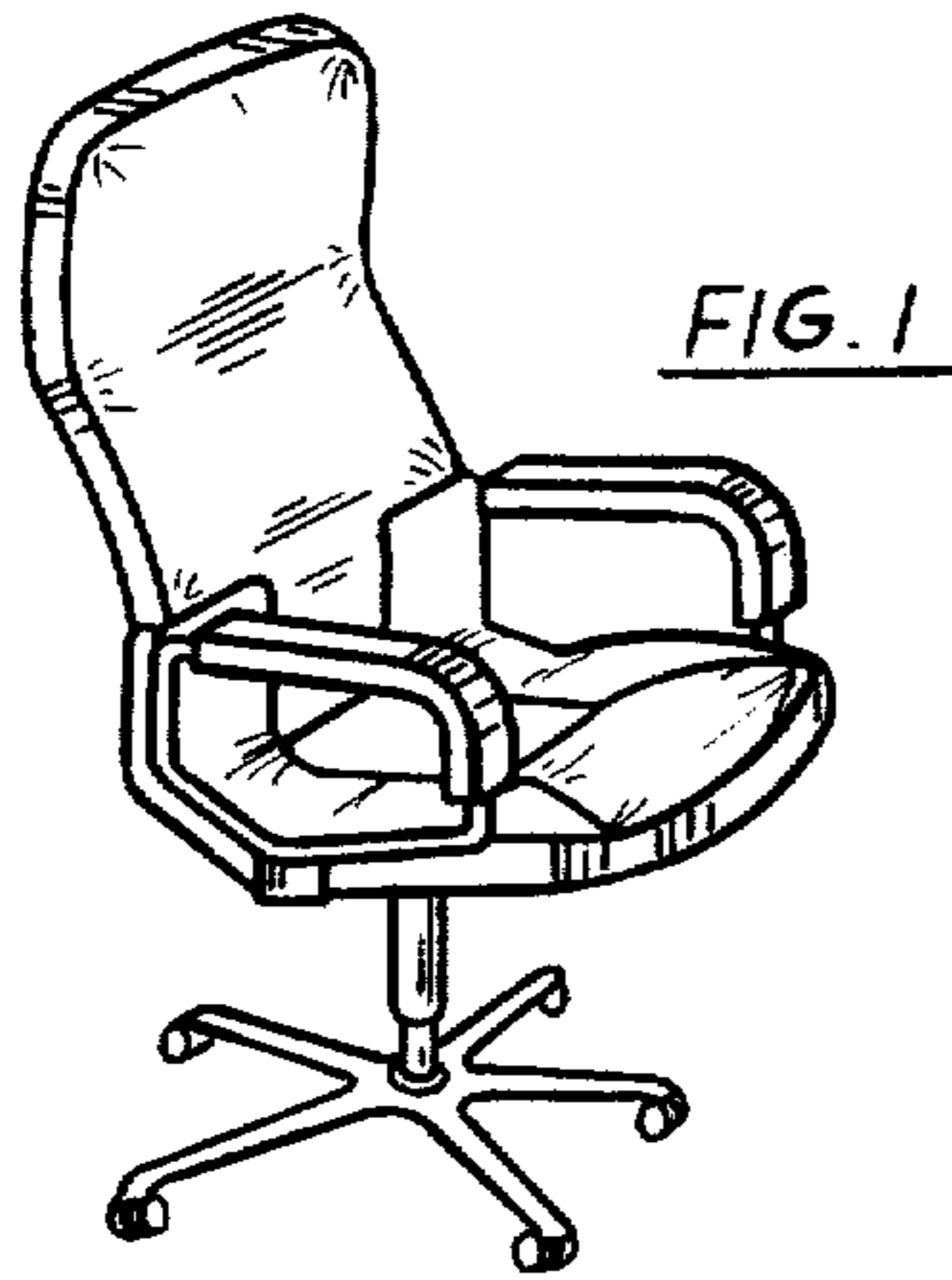


FIG. 5

FIG. 6