

[54] CANE

[76] Inventor: **Margaret E. Ayres**, 33 Leroy St.,
Binghamton, N.Y. 14892

[**] Term: **14 Years**

[21] Appl. No.: **209,384**

[22] Filed: **Nov. 24, 1980**

[51] Int. Cl. **D3—03**

[52] U.S. Cl. **D3/7**

[58] Field of Search **D3/7, 10; D12/114;**
D8/303, 309, 313; 135/DIG. 11, 65, 66, 86, 72,
81, 77, 79, 82, 71

[56] **References Cited**

U.S. PATENT DOCUMENTS

D. 264,699 1/1982 Watkins D12/114
2,379,426 7/1945 Edstrom 135/DIG. 11

Primary Examiner—Charles A. Rademaker
Attorney, Agent, or Firm—Charles S. McGuire

[57] **CLAIM**

The ornamental design for a cane, as shown.

DESCRIPTION

FIG. 1 is a side elevational view of a cane showing my new design;
FIG. 2 is a front elevational view thereof;
FIG. 3 is a top plan view thereof; and,
FIG. 4 is a bottom plan view thereof.

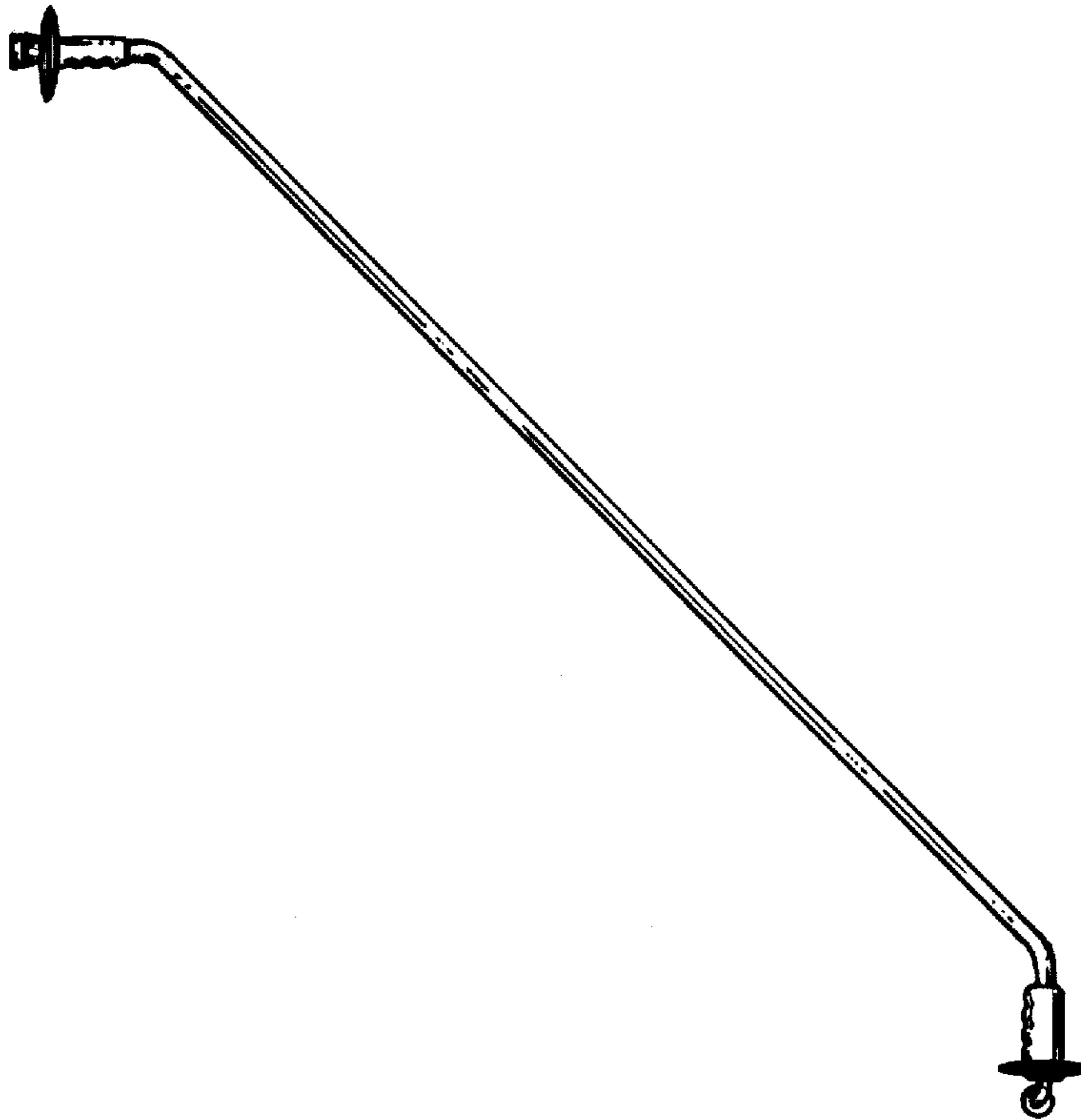


FIG. 3

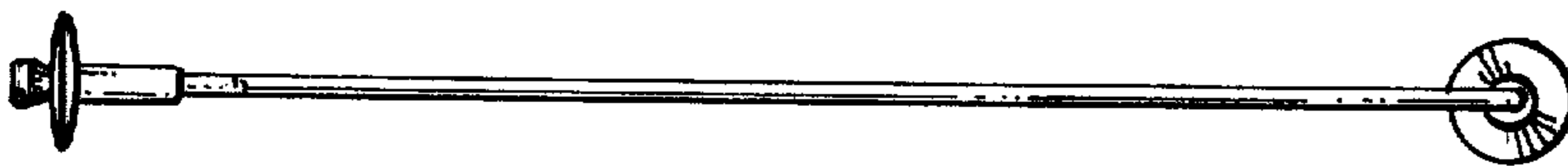


FIG. 1

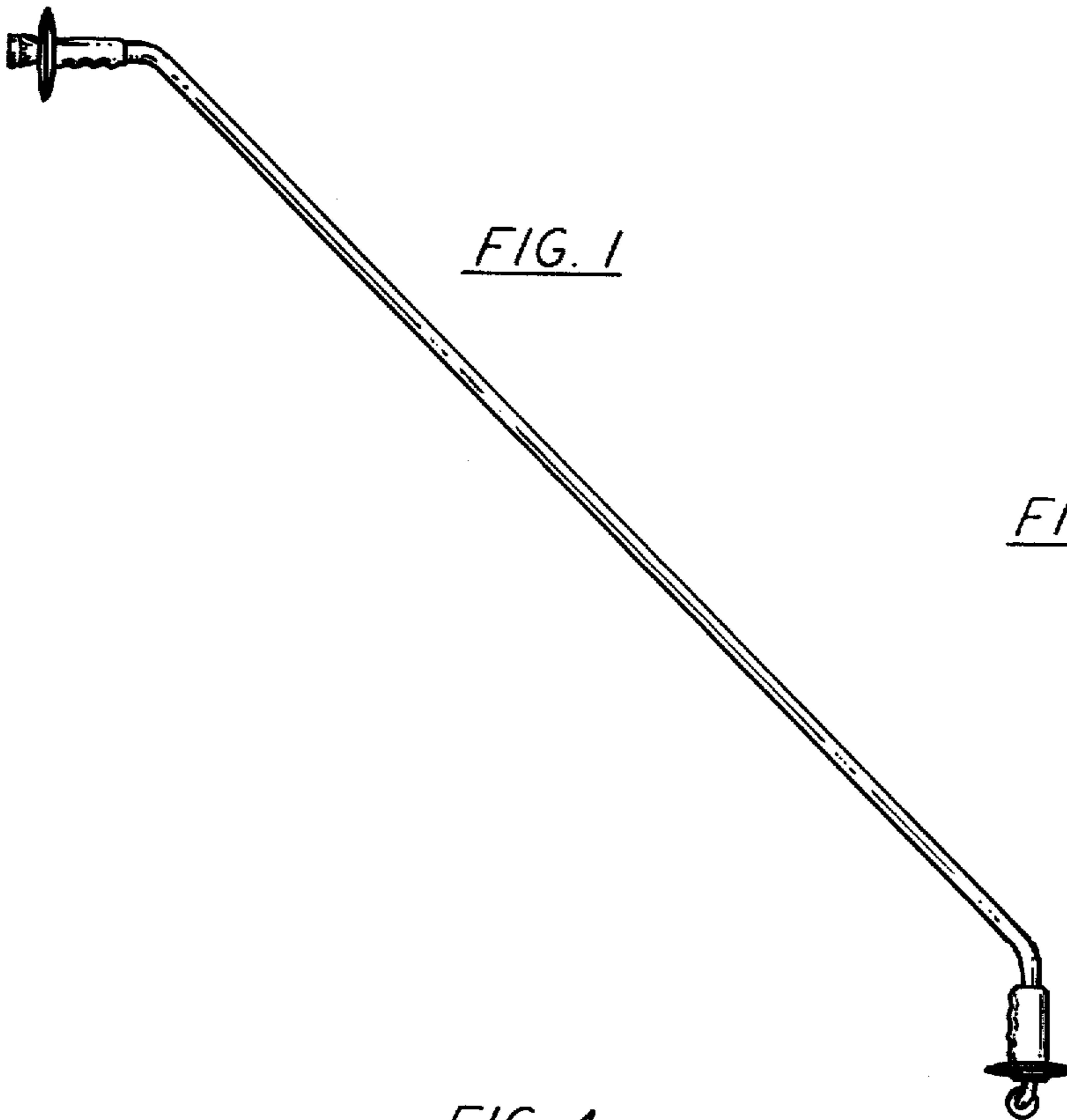


FIG. 2

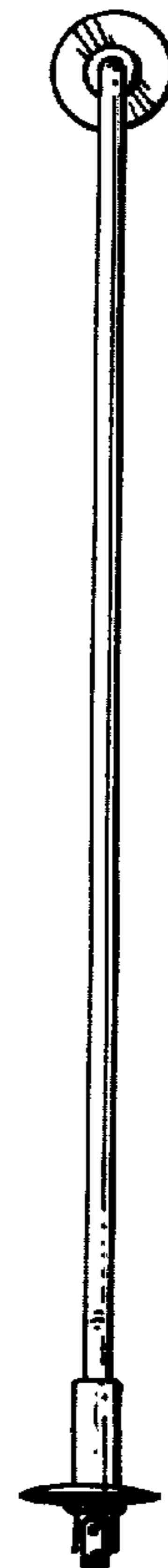


FIG. 4

