

[54] **FIREPLACE WOOD CARRIER**

[75] **Inventor:** Arlen Skille, Hayward, Wis.

[73] **Assignees:** Bill Johnson; Gary Rogstad, both of Hayward, Wis.

[\*\*] **Term:** 14 Years

[21] **Appl. No.:** 194,970

[22] **Filed:** Oct. 8, 1980

[51] **Int. Cl.** ..... D12-02  
[52] **U.S. Cl.** ..... D34/24  
[58] **Field of Search** ..... D34/24, 26; 280/47.2

[56] **References Cited**

**U.S. PATENT DOCUMENTS**

D. 191,102 8/1961 Troxler ..... D34/24  
2,658,703 11/1953 Brink et al. .... D34/26 X  
4,009,891 3/1977 Jennsen ..... D34/26 X

*Primary Examiner*—Catherine E. Kemper  
*Attorney, Agent, or Firm*—Merchant & Gould

[57] **CLAIM**

The ornamental design for a fireplace wood carrier, as shown and described.

**DESCRIPTION**

FIG. 1 is a front perspective view of a fireplace wood carrier showing my new design;  
FIG. 2 is a side elevational view thereof;  
FIG. 3 is a top plan view thereof;  
FIG. 4 is a rear elevational view thereof;  
FIG. 5 is a front elevational view thereof;  
FIG. 6 is a bottom plan view thereof.

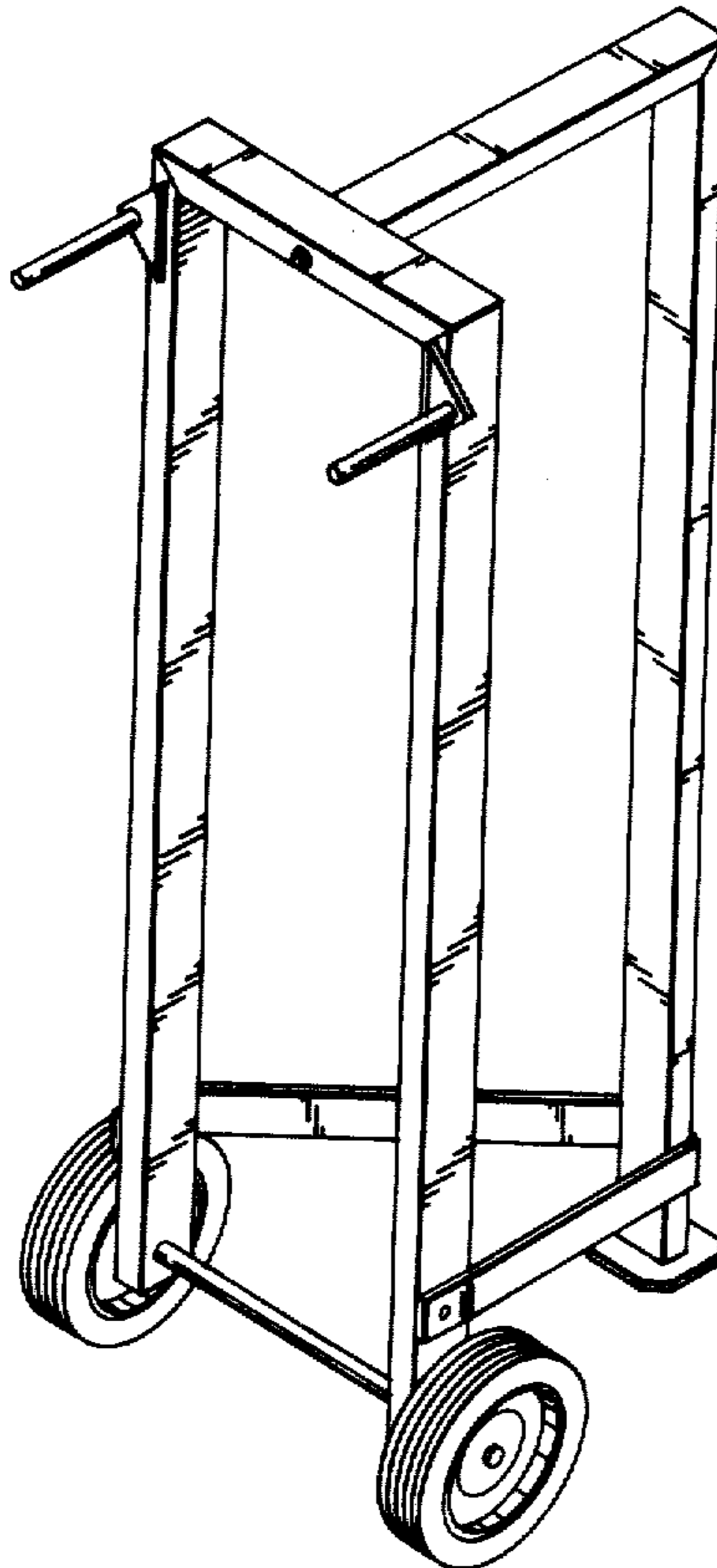


FIG. 1

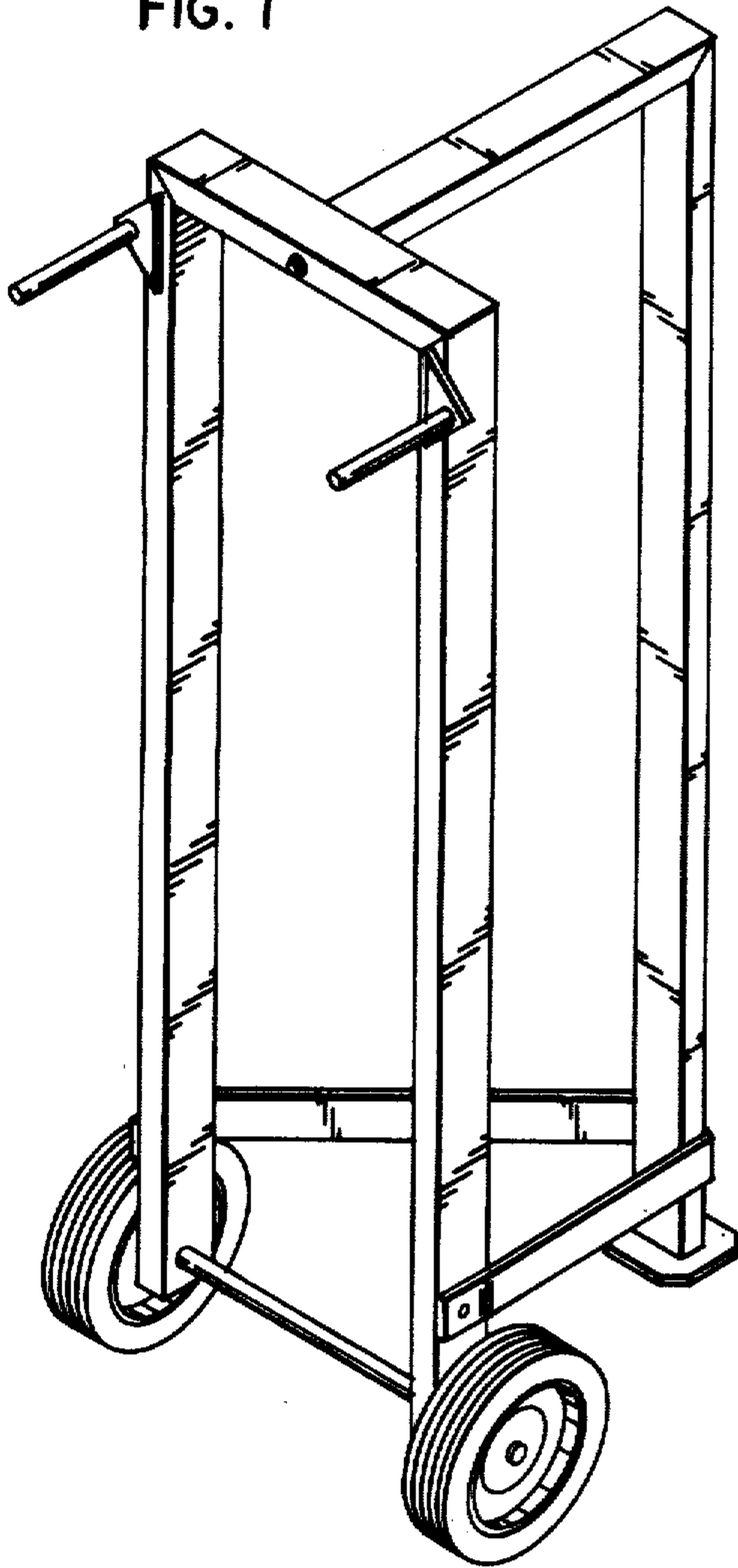


FIG. 2

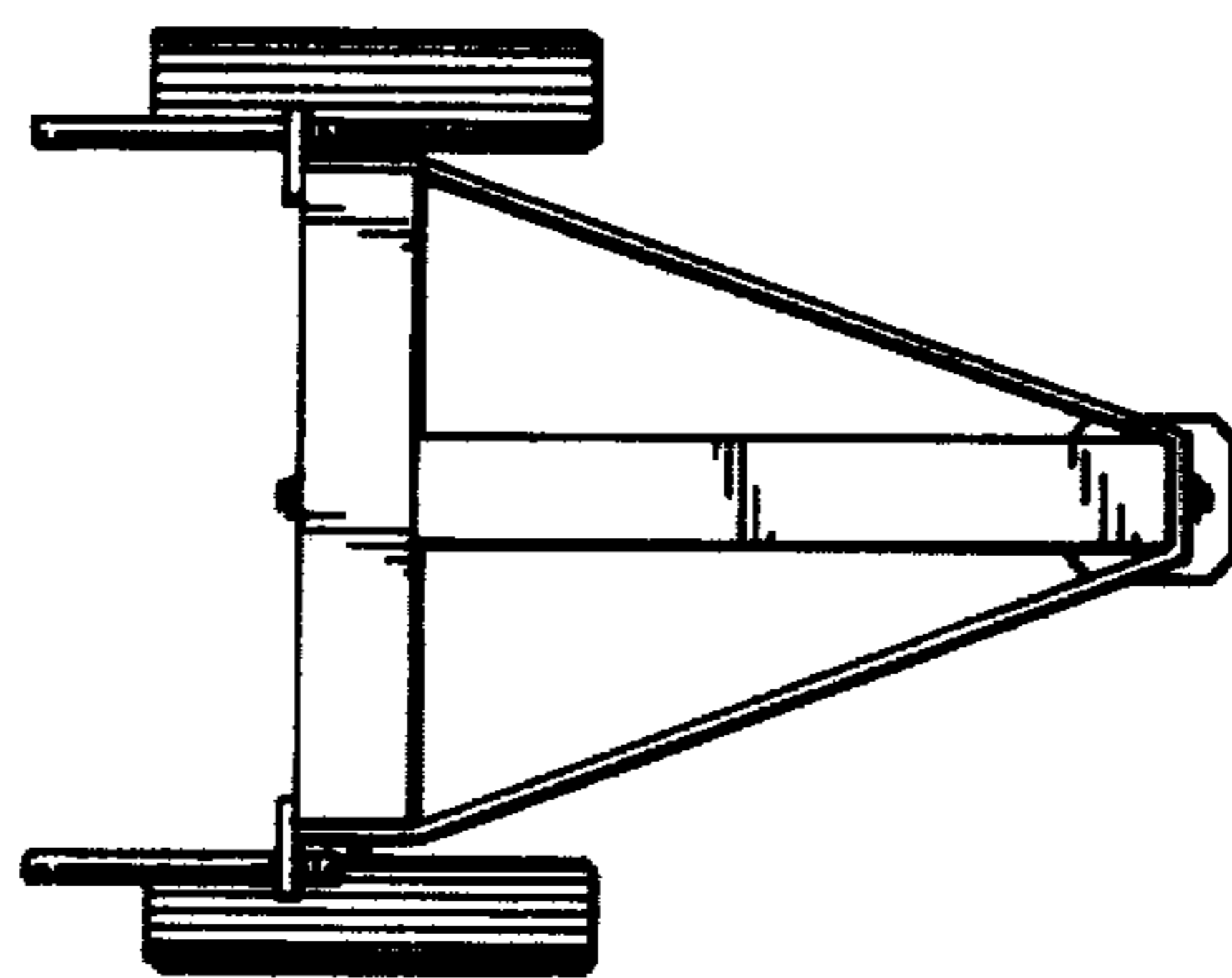
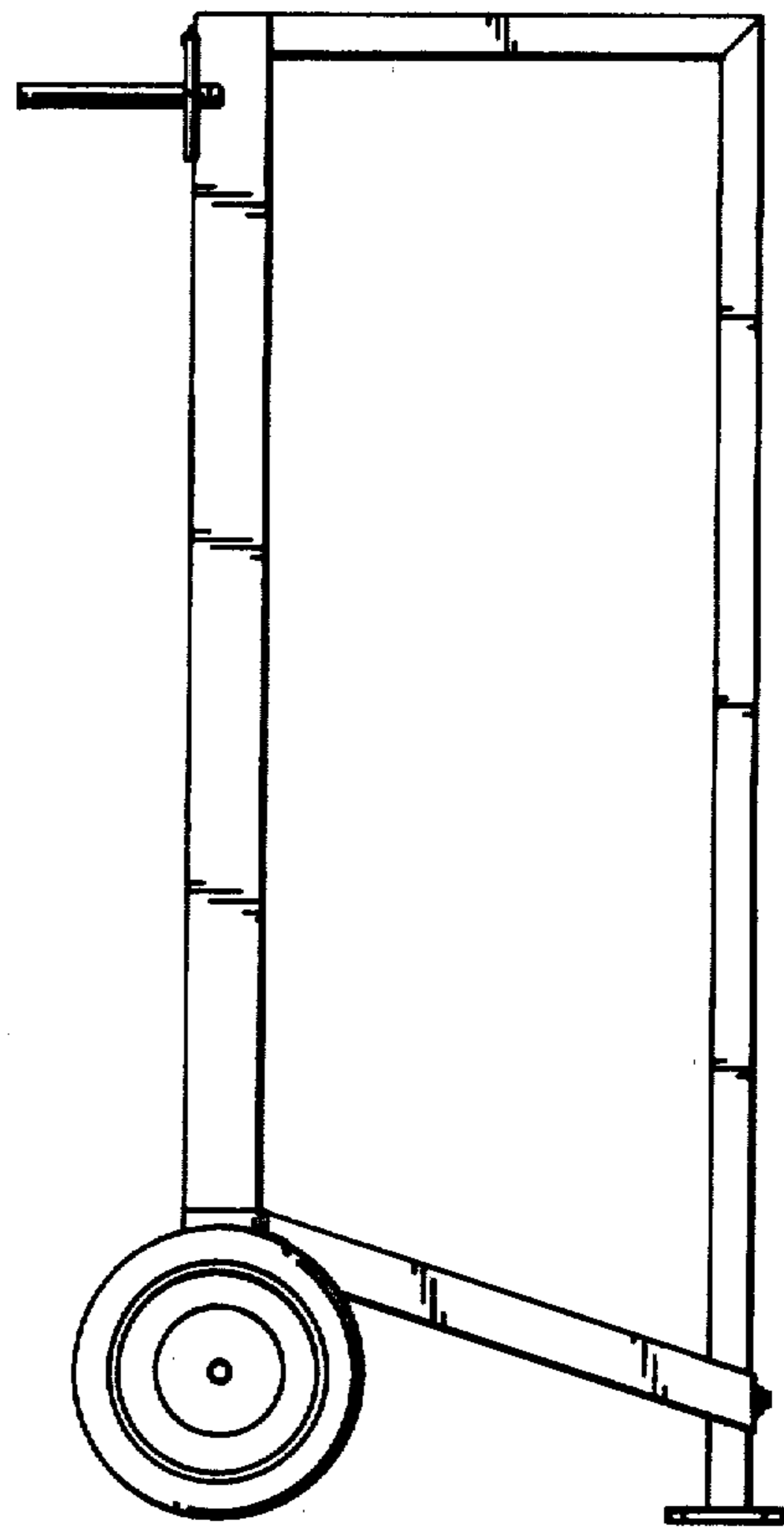


FIG. 3

FIG. 4

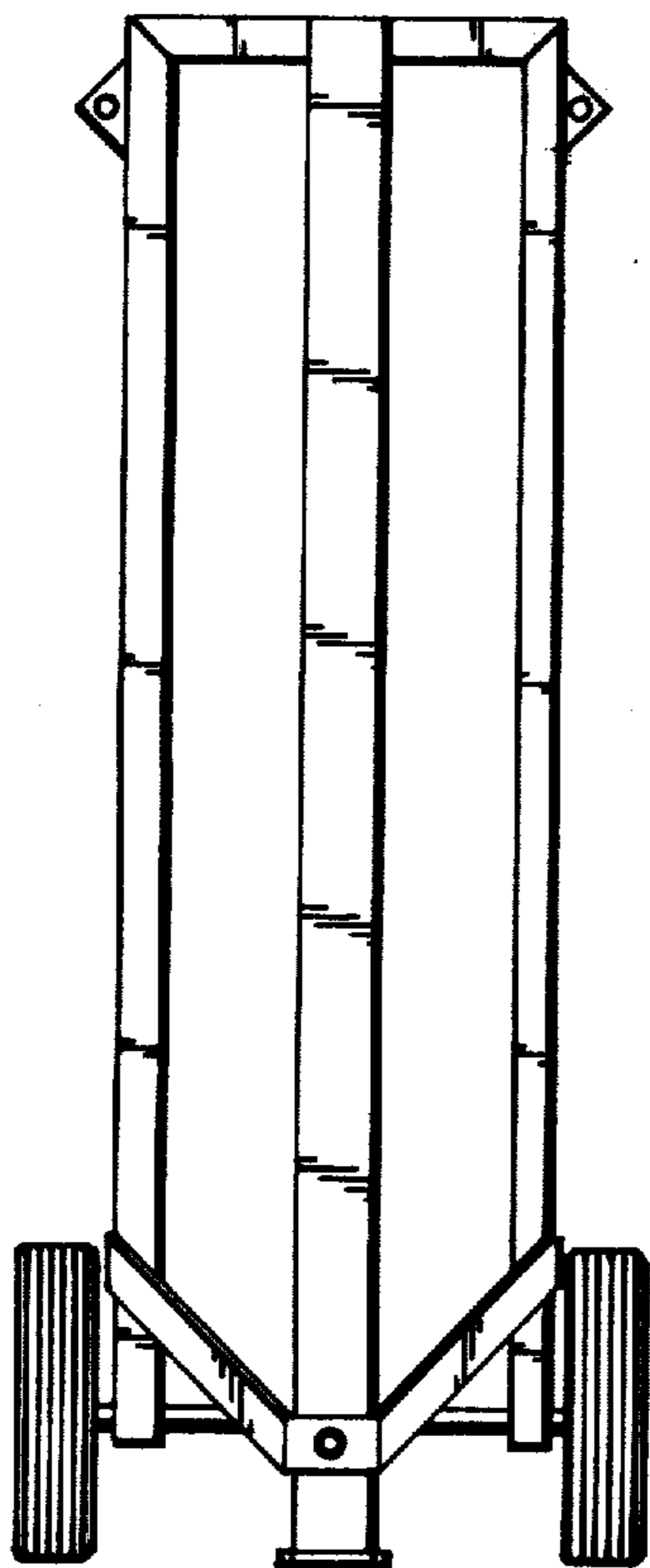


FIG. 5

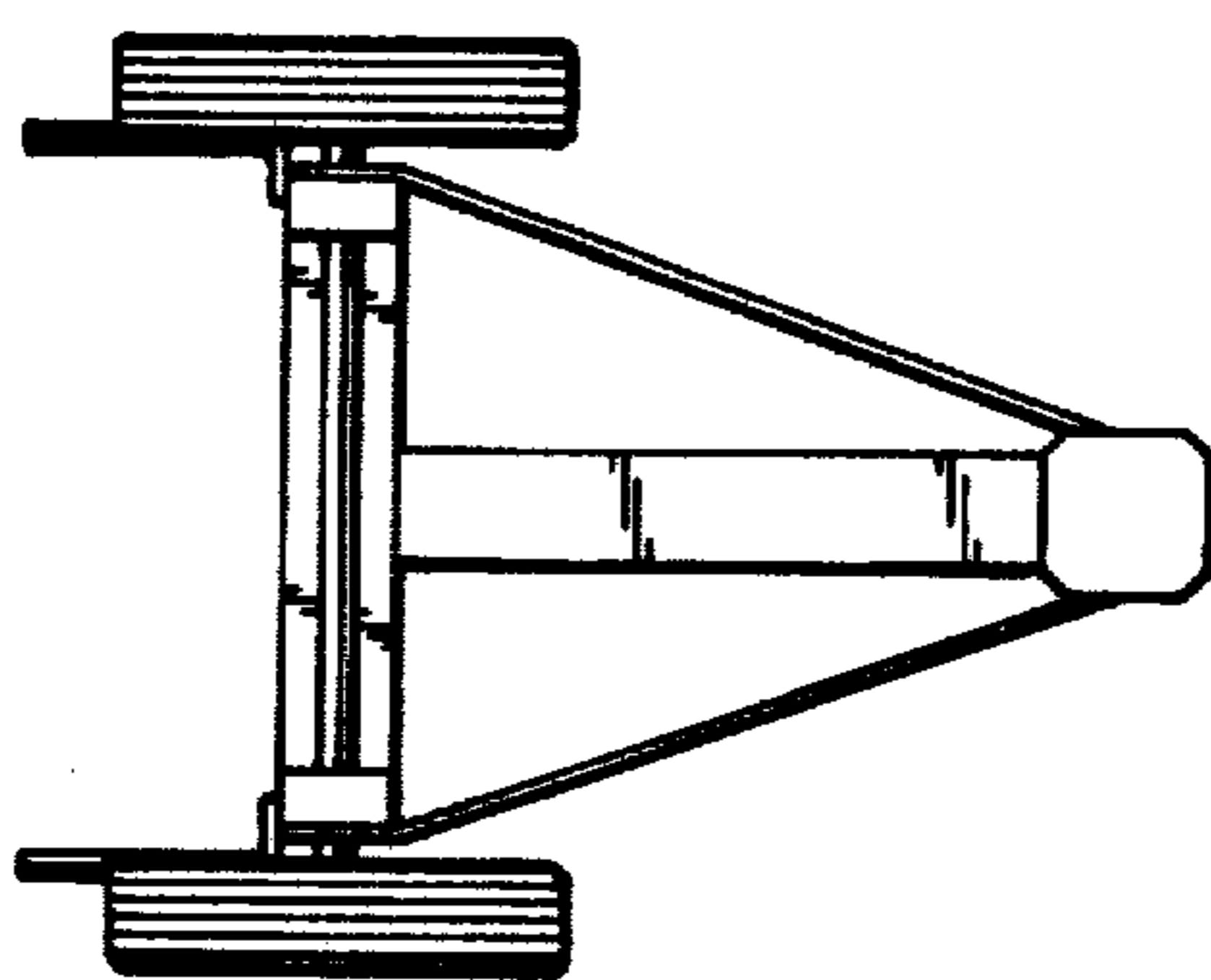
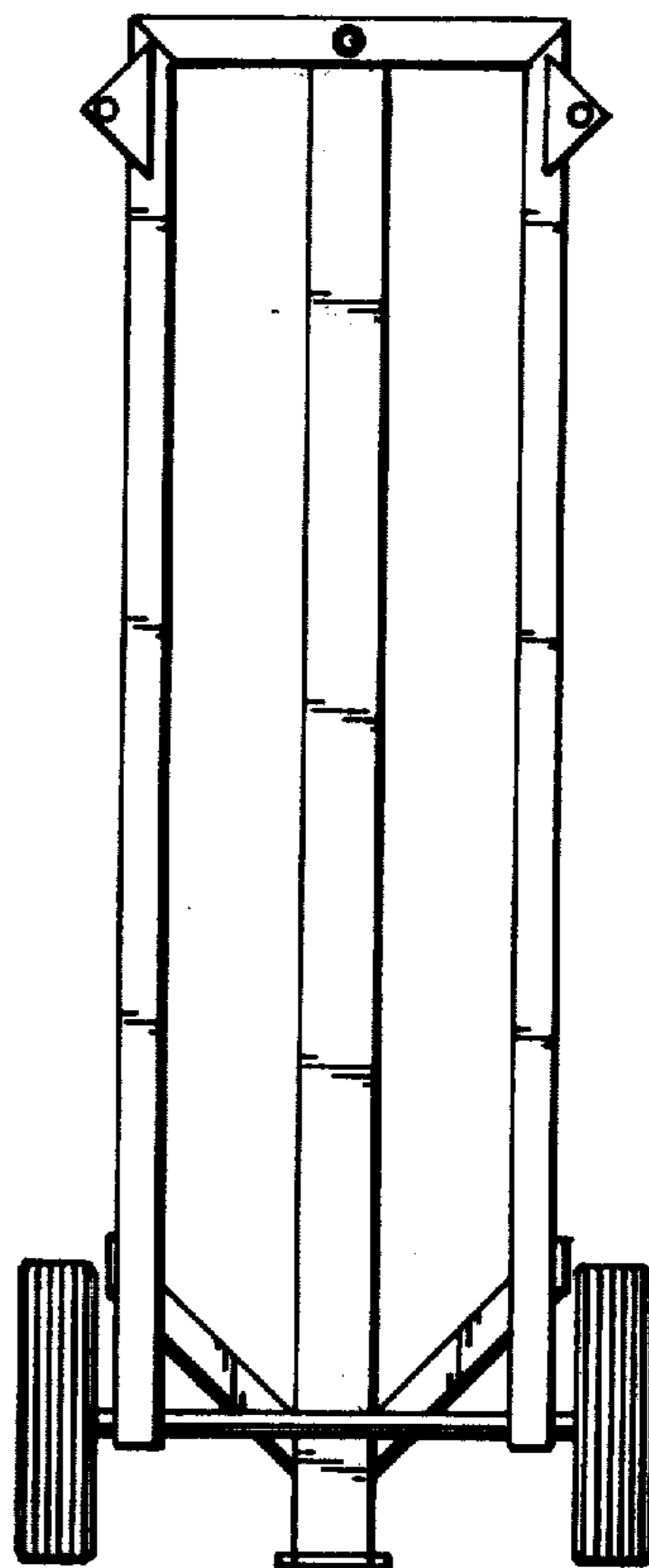


FIG. 6