

[54] TWIN BLADE RAZOR

[75] Inventors: David O. Chase; Martin Maloney, both of Skaneateles, N.Y.

[73] Assignee: American Safety Razor Company, Verona, Va.

[**] Term: 14 Years

[21] Appl. No.: 159,726

[22] Filed: Jun. 16, 1980

[51] Int. Cl. D28-03

[52] U.S. Cl. D28/46

[58] Field of Search D28/45-51; 30/32, 34 R, 43, 43.1, 43.7, 43.92, 51, 85

[56] References Cited

U.S. PATENT DOCUMENTS

D. 229,875 1/1974 Glaberson D28/46

D. 234,648 3/1975 Braginetz D28/46
D. 235,586 6/1975 Poisson D28/46
D. 240,569 7/1976 Saito D28/46
D. 241,281 8/1976 Jacobson D28/47
D. 260,191 8/1981 Chase et al. D28/46

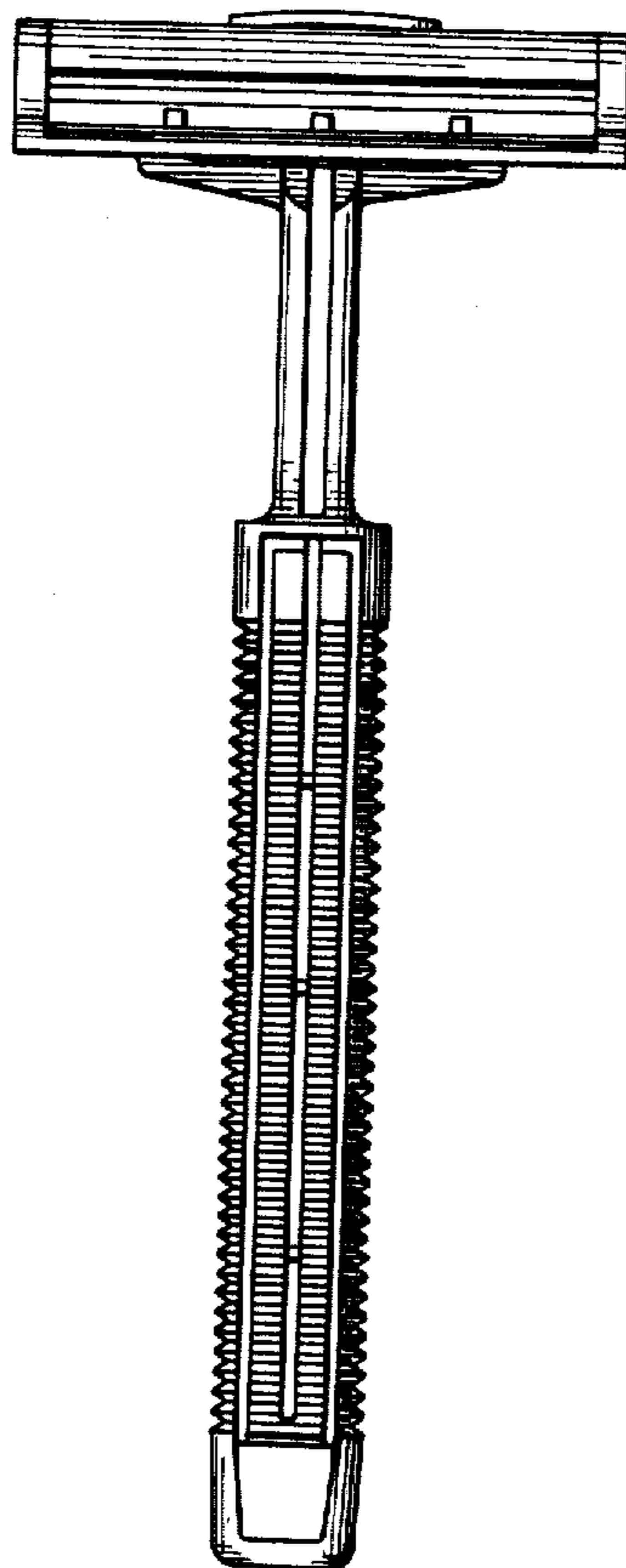
Primary Examiner—Robert C. Spangler
Attorney, Agent, or Firm—Wender, Murase & White

[57] CLAIM

The ornamental design for a twin blade razor, as shown and described.

DESCRIPTION

FIG. 1 is a front elevational view of a twin blade razor having our new design;
FIG. 2 is a side elevational view;
FIG. 3 is a rear elevational view;
FIG. 4 is an end view, as viewed from a handle end of the razor; and
FIG. 5 is an end view, as viewed from the head end of the razor.



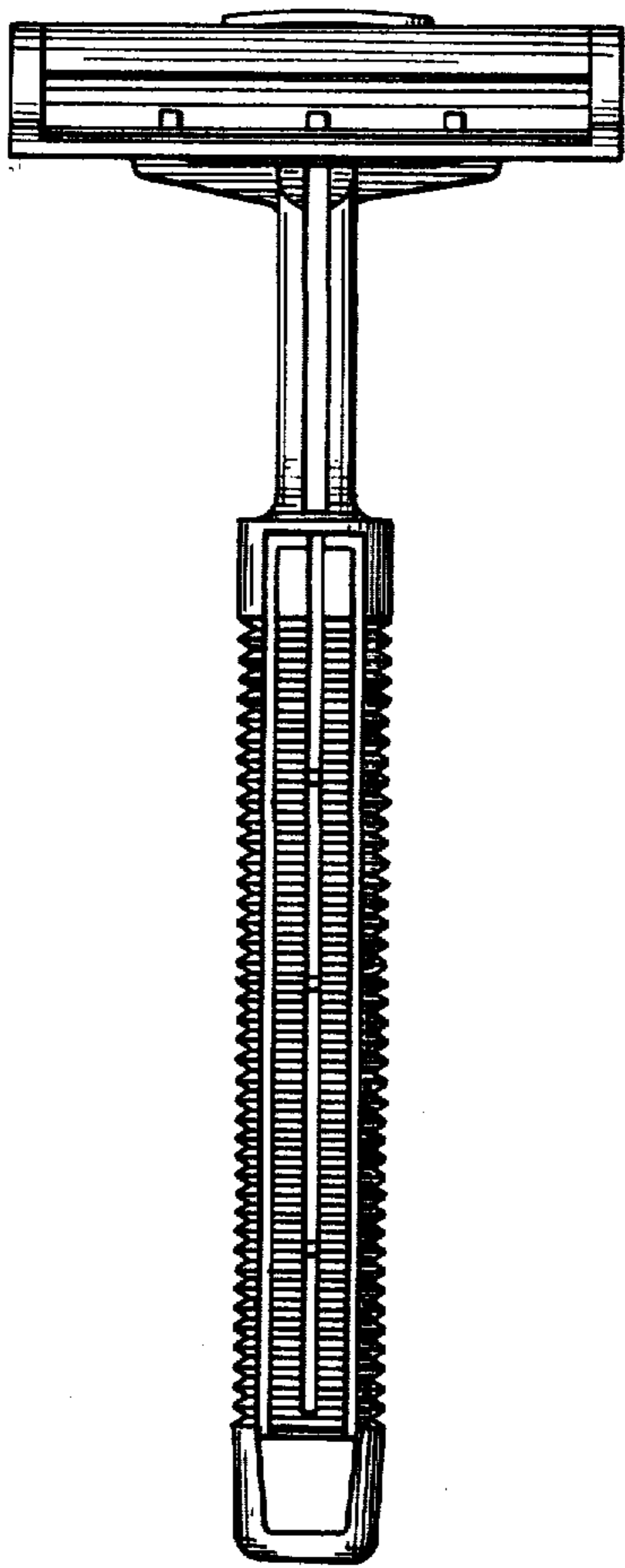


FIG. 1

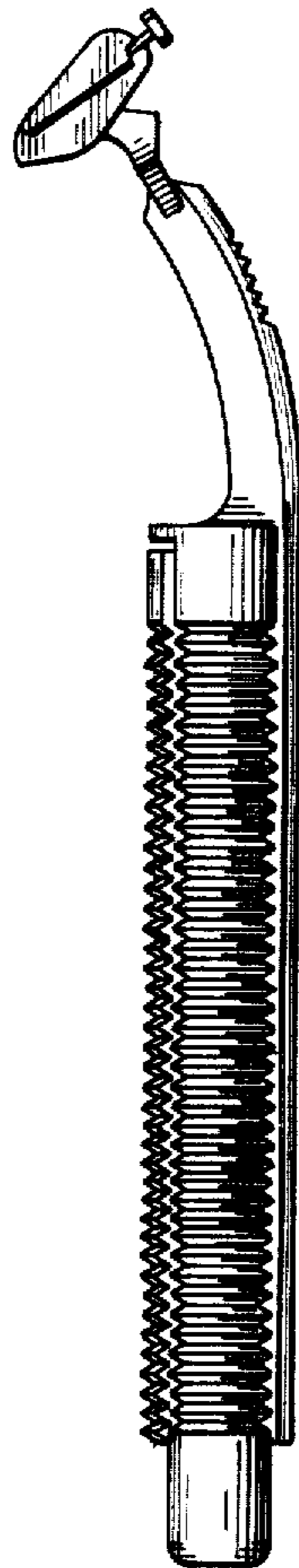


FIG. 2

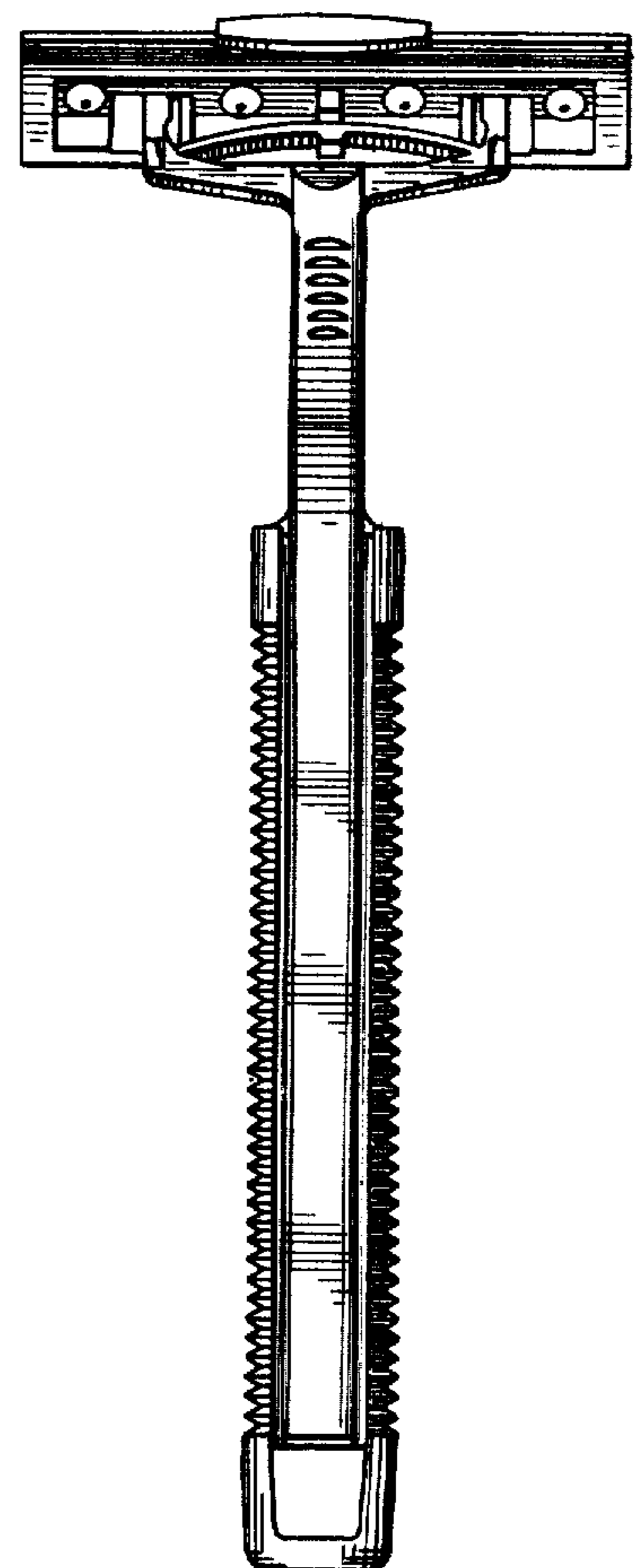


FIG. 3

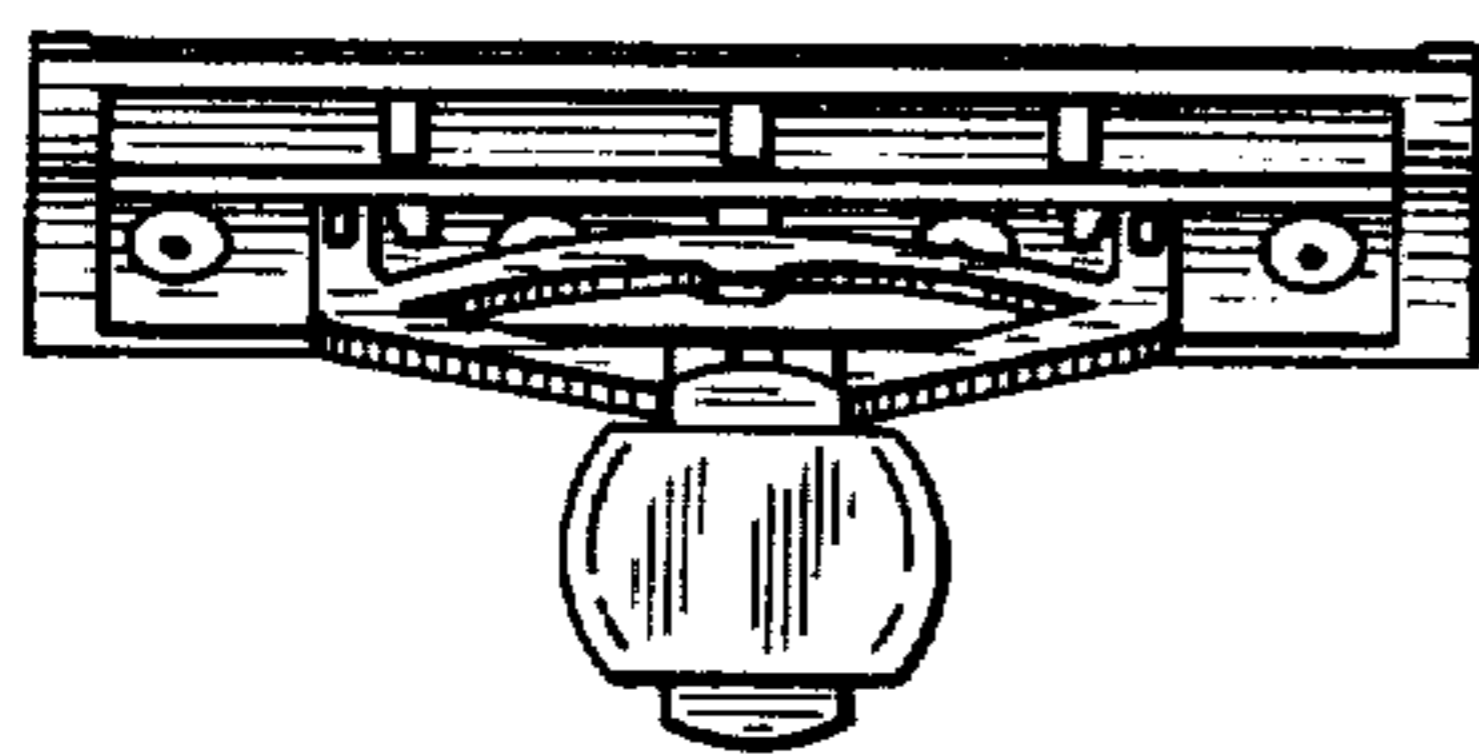


FIG. 4

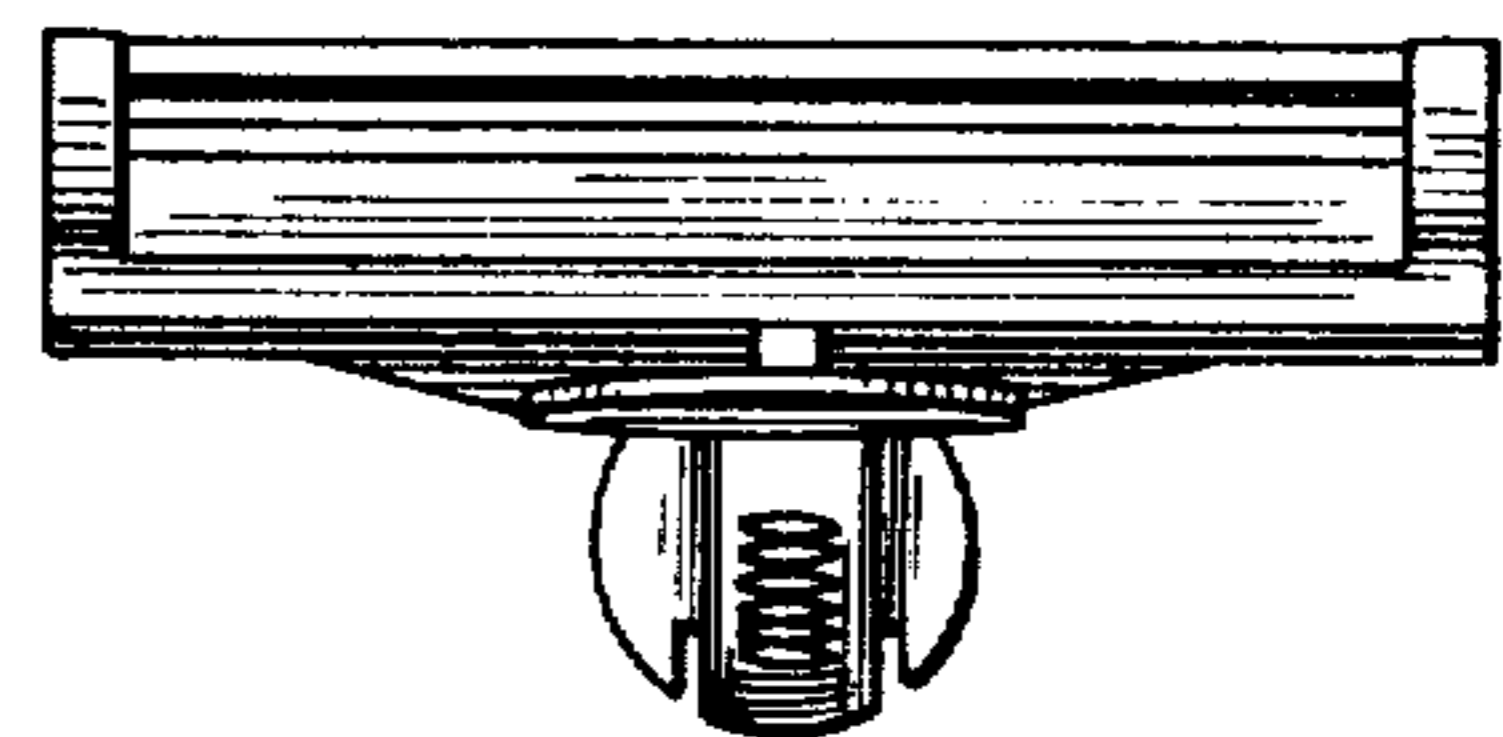


FIG. 5