

[54] **PHARMACEUTICAL TABLET**  
 [75] **Inventor:** Geoffrey D. Tovey, Harpenden, England  
 [73] **Assignee:** Smith Kline & French Laboratories Limited, Welwyn Garden City, England  
 [\*\*] **Term:** 14 Years  
 [21] **Appl. No.:** 270,158  
 [22] **Filed:** Jun. 3, 1981

[30] **Foreign Application Priority Data**  
 Dec. 4, 1980 [GB] United Kingdom ..... 997904  
 [51] **Int. Cl.** ..... D28—01  
 [52] **U.S. Cl.** ..... D28/2; D28/8.1; D1/12; D21/95; 424/15  
 [58] **Field of Search** ..... D28/1, 2, 8.1, 8.2; D9/423, 430, 432; D6/89; D1/12; 23/166; 252/92; 424/15, 14; D21/96, 98, 95, 51

[56] **References Cited**  
**U.S. PATENT DOCUMENTS**  
 D. 24,313 5/1895 Taggart ..... D28/2  
 D. 24,363 6/1895 Crellin ..... D28/1  
 D. 27,484 8/1897 Zwoyer ..... D23/166  
 D. 51,534 11/1917 Williams ..... D28/8.1  
 D. 60,248 1/1922 Lone ..... D28/2  
 D. 67,509 6/1925 Durstine ..... D28/8.2  
 D. 88,351 11/1932 Herrly ..... D23/166  
 D. 91,644 12/1933 Blackstone ..... D28/2  
 D. 137,202 2/1944 Scott ..... D28/8.1  
 D. 187,372 3/1960 Dailey ..... D28/8.1  
 D. 192,131 1/1962 Weiss ..... D28/8.2  
 D. 213,873 4/1969 Byran ..... D28/2

D. 216,307 12/1969 Ninger .  
 D. 217,890 6/1970 Koenigsberg ..... D28/8.1  
 D. 223,759 6/1972 File .  
 D. 228,456 9/1973 Ninger .  
 D. 229,175 11/1973 Libertone et al. .  
 D. 262,663 1/1982 Neu et al. .... D28/8.1  
 1,144,743 6/1915 Upjohn ..... D28/8.1  
 2,410,110 10/1946 Taylor ..... 424/14

**FOREIGN PATENT DOCUMENTS**

1110203 10/1955 France ..... 252/92

**OTHER PUBLICATIONS**

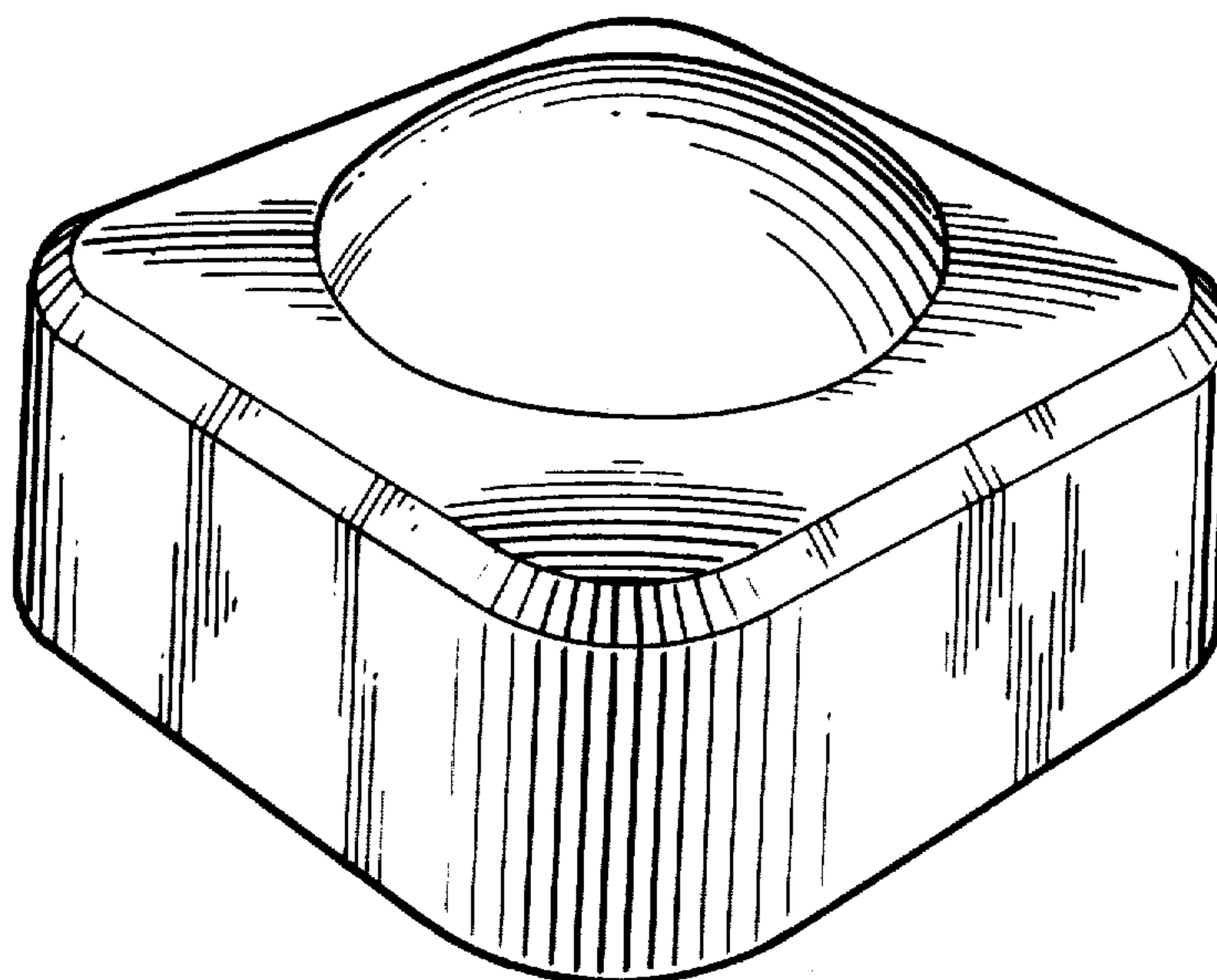
Physicians' Desk References (PDR) 34th Ed., ©1980 Litton Industries.  
 Thomas Mills and Brother, Excerpts From 1924, Catalog of Confectioners' Tools & Machinery, pp. 28, 37.  
 Thomas Mills & Bro., Confectioners' Machinery & Tools, Catalogue X, pp. 43, 44, 45.  
 Surviving Unofficial X Ref. Soap Bars Digest Following Reclassifications, 3-3E06, CP3.

*Primary Examiner*—Wallace R. Burke  
*Assistant Examiner*—Horace B. Fay, Jr.  
*Attorney, Agent, or Firm*—Joseph A. Marlino; Richard D. Foggio; Alan D. Lourie

[57] **CLAIM**  
 The ornamental design for a pharmaceutical tablet, as shown and described.

**DESCRIPTION**

FIG. 1 is a perspective view of a pharmaceutical tablet showing my new design;  
 FIG. 2 is a top or bottom plan view thereof;  
 FIG. 3 is a side elevation thereof, it being understood that the remaining sides are identical to that shown.



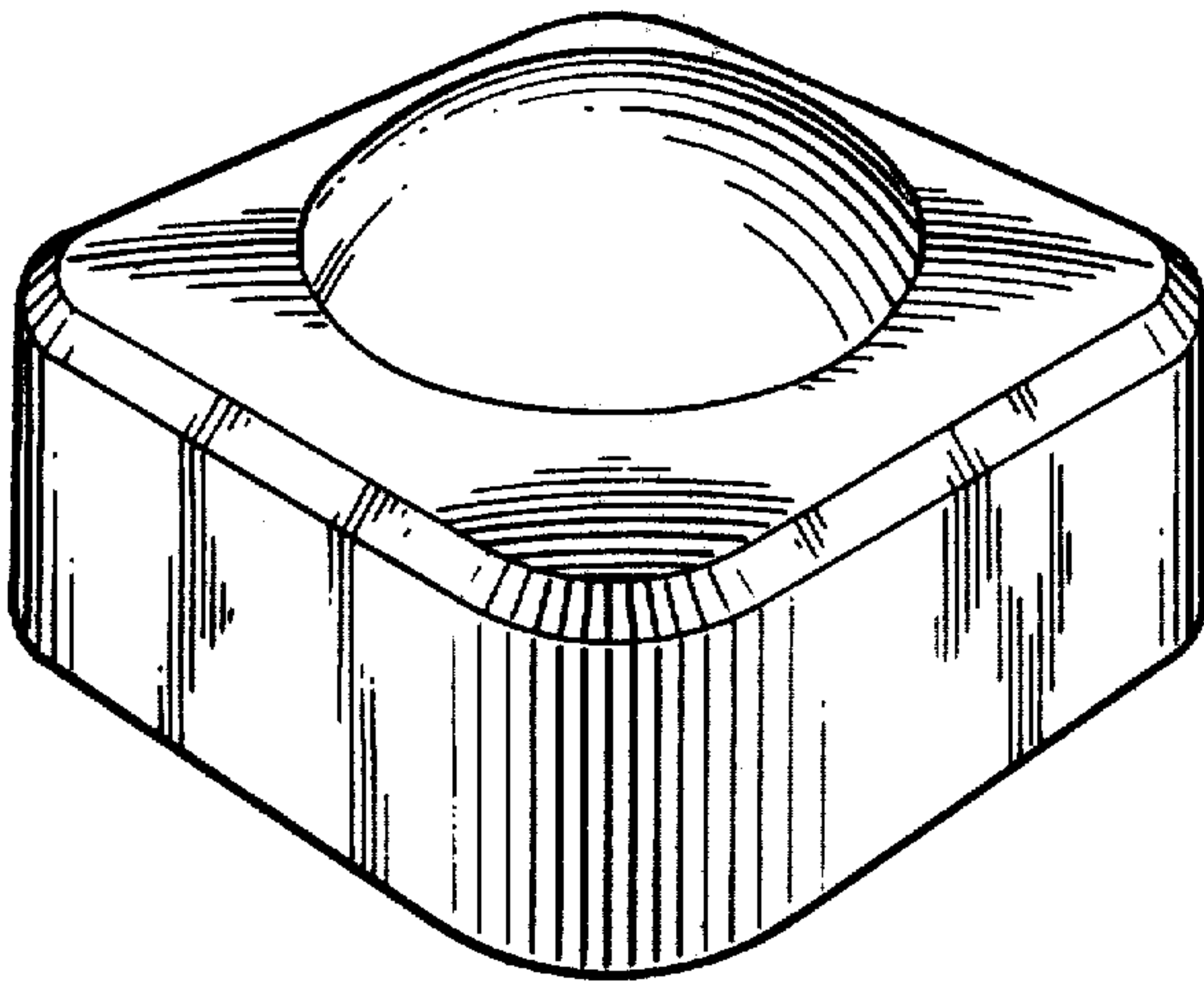


Fig. 1

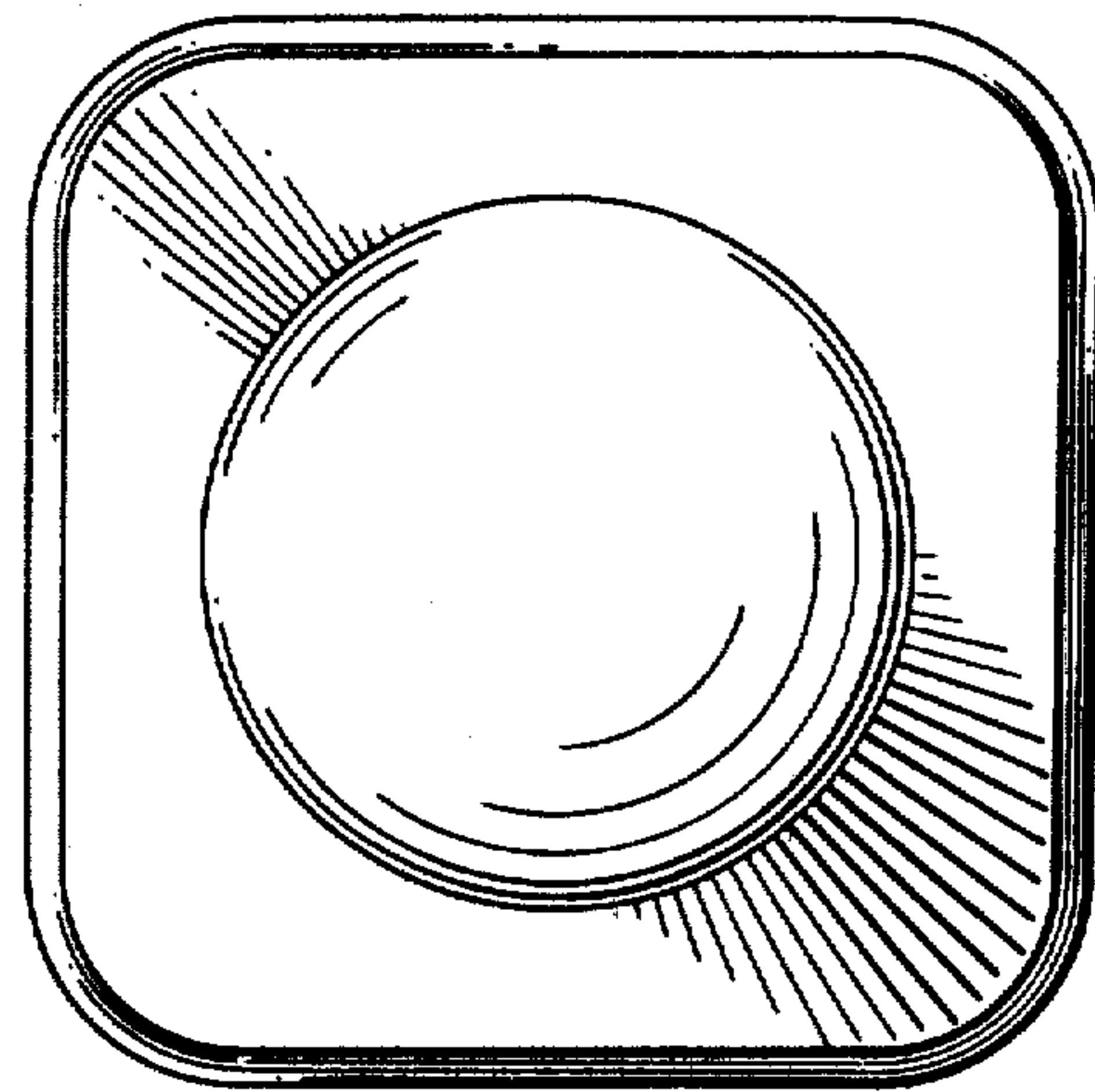


Fig. 2

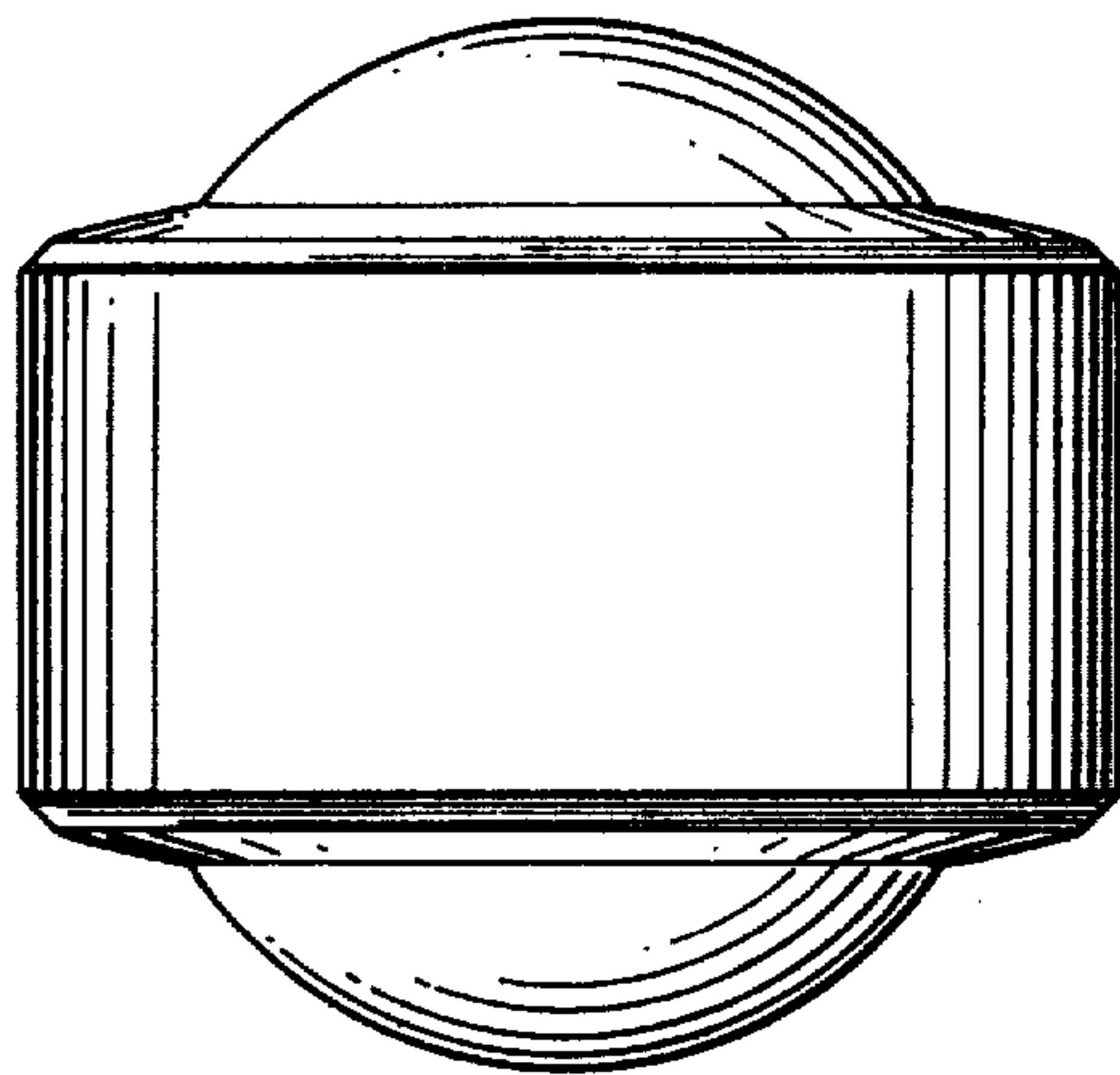


Fig. 3