

[54] **PHARMACEUTICAL TABLET**

[75] **Inventor:** **Geoffrey D. Tovey**, Harpenden, England

[73] **Assignee:** **Smith Kline & French Laboratories Limited**, Welwyn Garden City, England

[**] **Term:** **14 Years**

[21] **Appl. No.:** **270,157**

[22] **Filed:** **Jun. 3, 1981**

[30] **Foreign Application Priority Data**

Apr. 28, 1981 [GB] United Kingdom 1000199

[51] **Int. Cl.** **D28—01**

[52] **U.S. Cl.** **D28/2; D28/8.1; D1/12; D21/95; 424/15**

[58] **Field of Search** **D28/1, 2, 8.1, 8.2; D1/12; D9/430, 432, 423; D6/89; 23/166; 252/92; 424/14, 15; D21/86**

[56] **References Cited**

U.S. PATENT DOCUMENTS

- D. 91,644 3/1934 Blackstone .
- D. 216,307 12/1969 Ninger .
- D. 223,759 6/1972 File .
- D. 228,456 9/1973 Ninger .
- D. 229,175 11/1973 Libertone et al. .

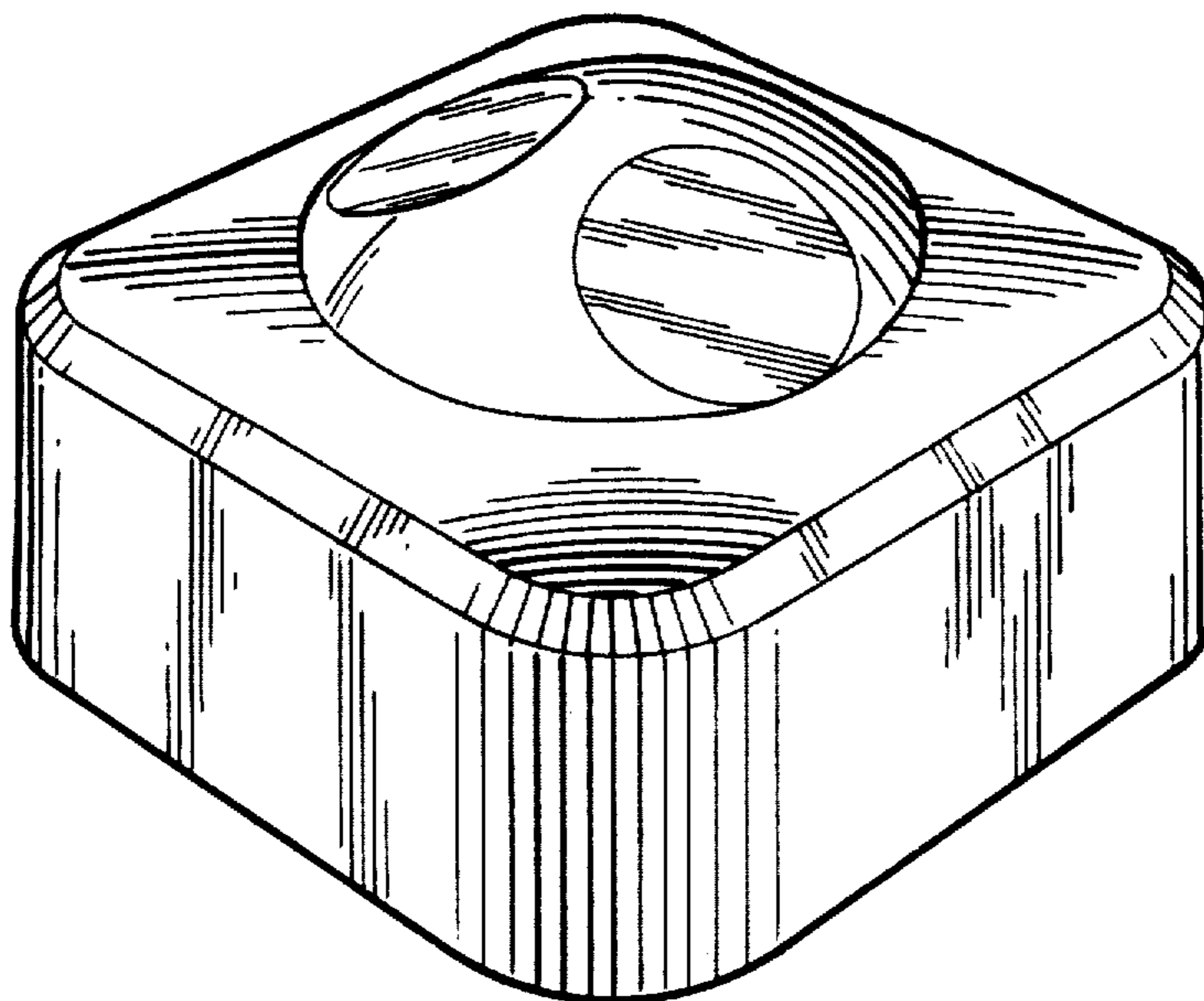
Primary Examiner—Wallace R. Burke
Assistant Examiner—Horace B. Fay, Jr.
Attorney, Agent, or Firm—Joseph A. Marlino; Richard D. Foggio; Alan D. Lourie

[57] **CLAIM**

The ornamental design for a pharmaceutical tablet, as shown and described.

DESCRIPTION

FIG. 1 is a perspective view of a pharmaceutical tablet showing my new design;
FIG. 2 is a top plan view thereof;
FIG. 3 is a side elevation thereof, it being understood that the remaining sides are substantially identical to that shown;
FIG. 4 is a bottom plan view thereof.



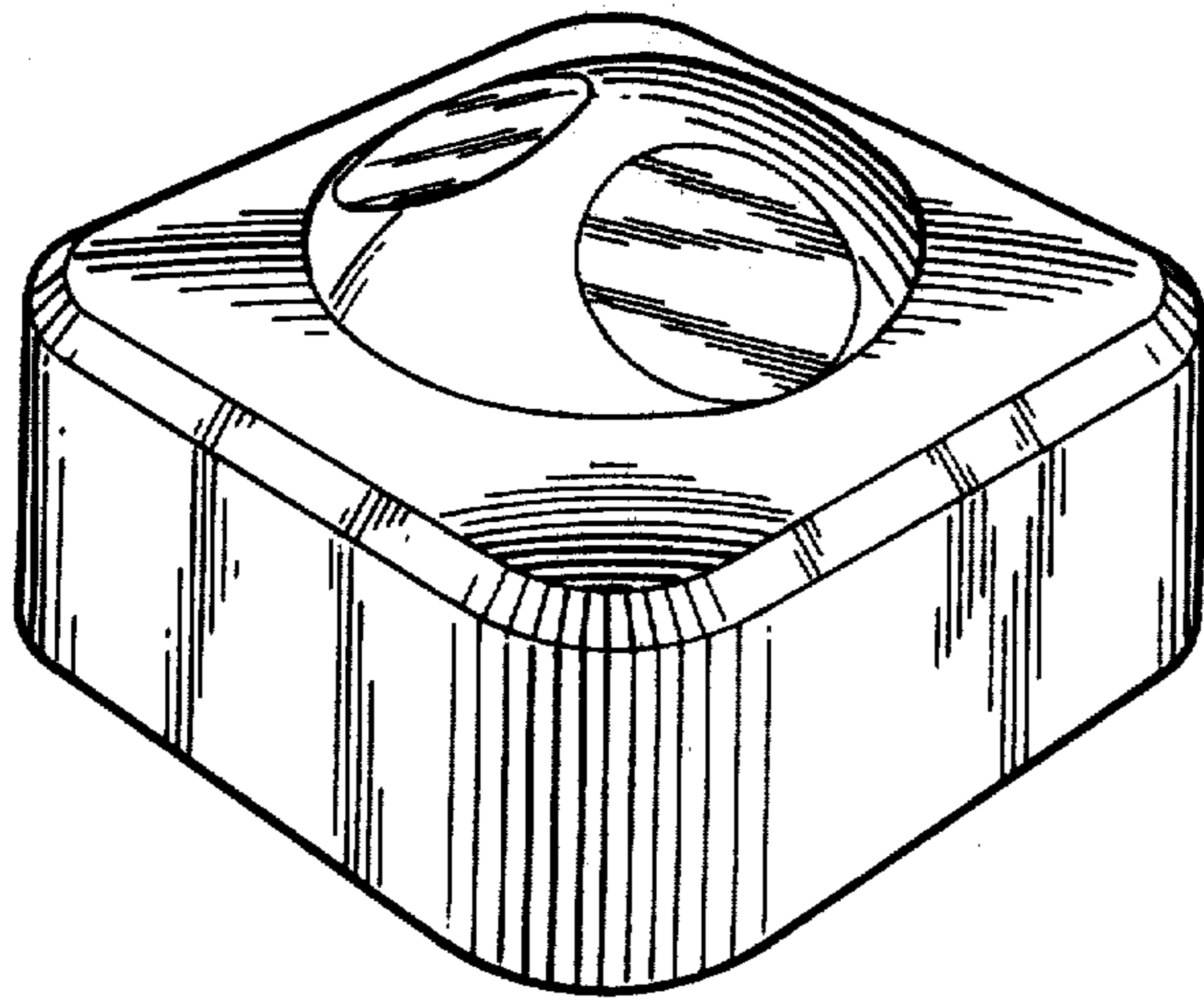


Fig. 1

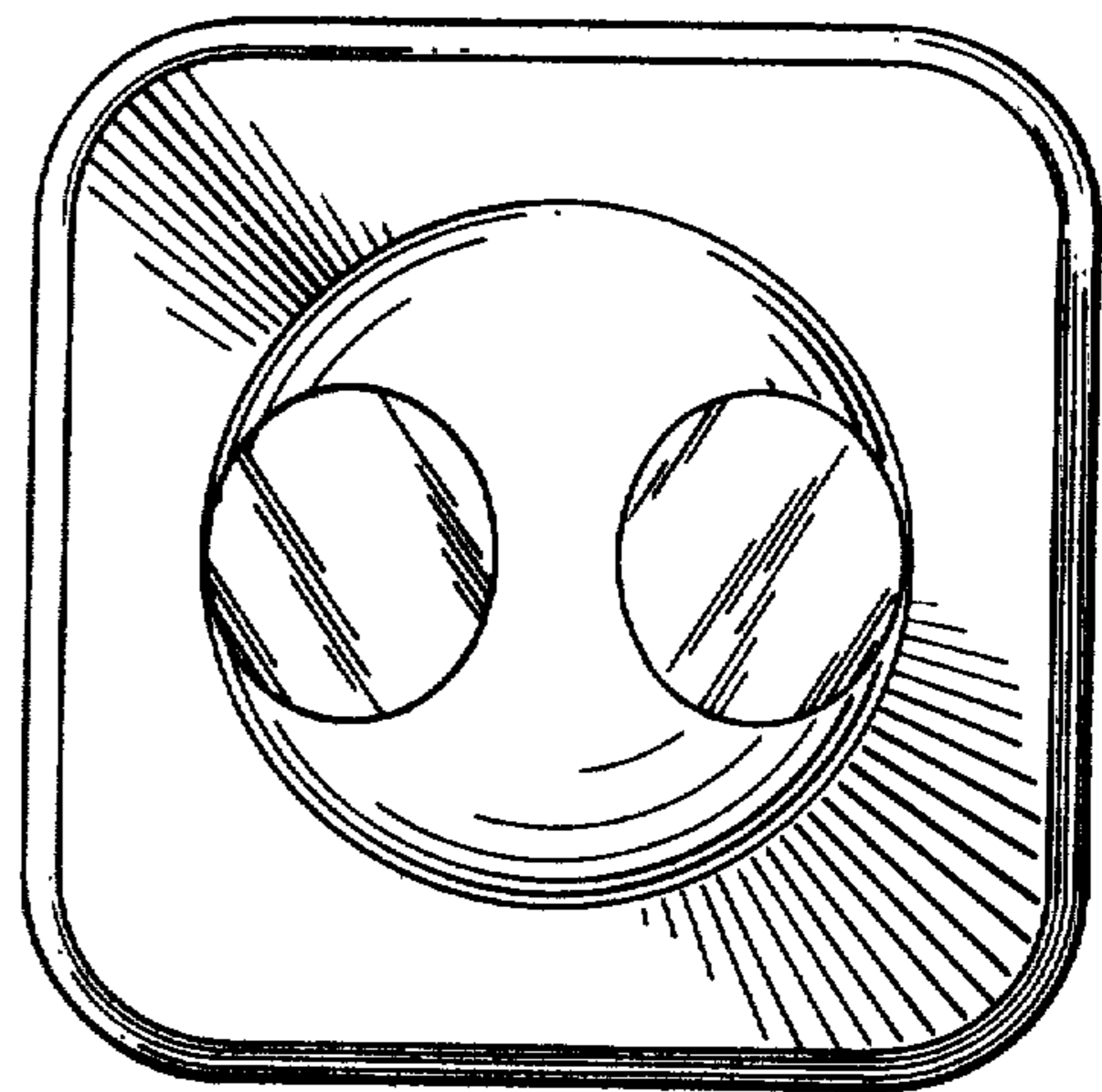


Fig. 2

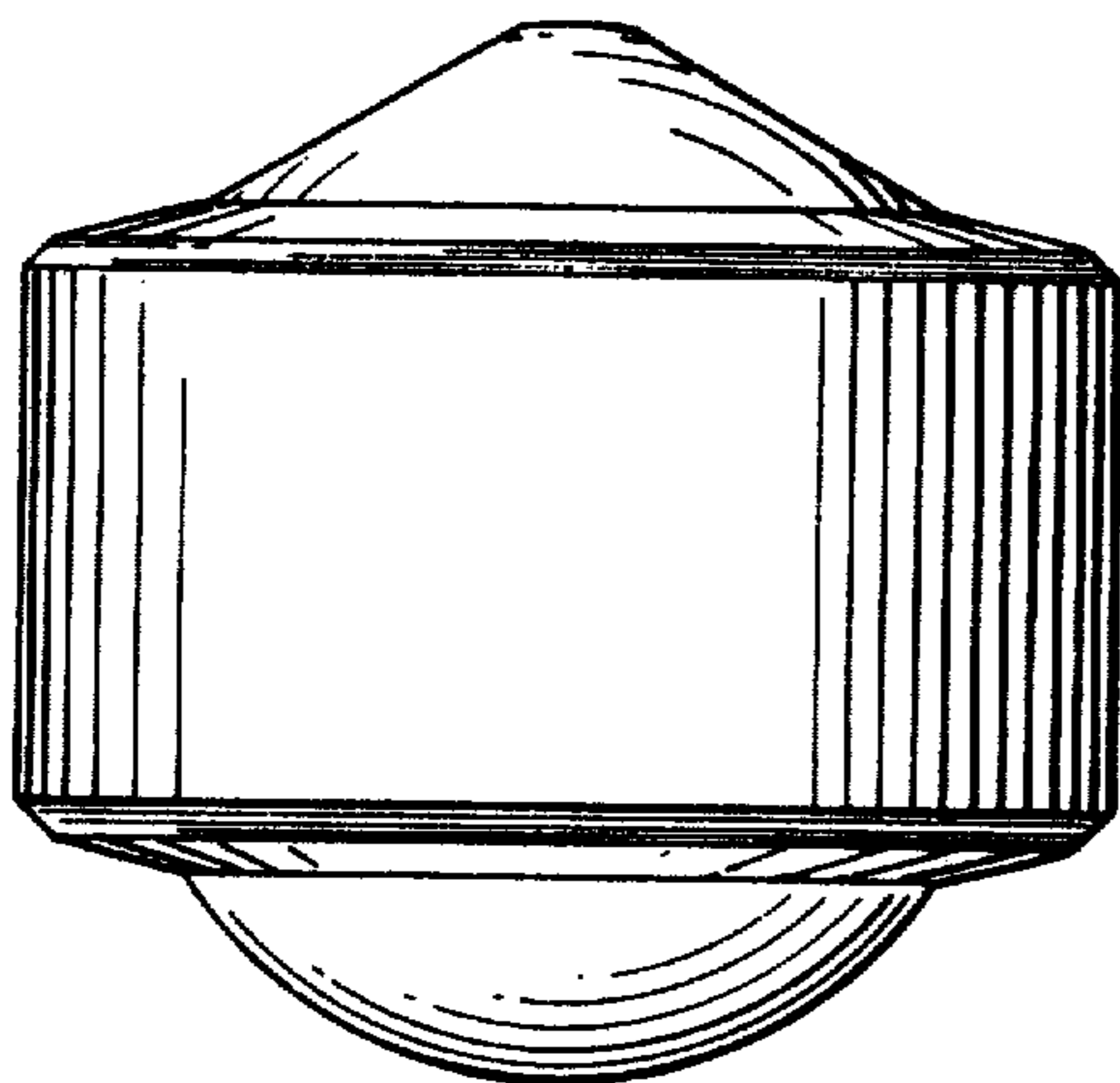


Fig. 3

Fig. 4

