

[54] **PHARMACEUTICAL TABLET**  
 [75] **Inventor: Geoffrey D. Tovey, Harpenden, England**  
 [73] **Assignee: Smith Kline & French Laboratories Limited, Welwyn Garden City, England**

[\*\*] **Term: 14 Years**

[21] **Appl. No.: 270,156**

[22] **Filed: Jun. 3, 1981**

[30] **Foreign Application Priority Data**

Apr. 28, 1981 [GB] United Kingdom ..... 1000198

[51] **Int. Cl. .... D28-01**

[52] **U.S. Cl. .... D28/2; D28/81; D1/12; D21/95; 424/15**

[58] **Field of Search .... D28/1, 2, 8.1, 8.2; D1/12; D9/430, 432, 423; D6/89; 23/166; 252/92; 424/14, 15**

[56] **References Cited**

**U.S. PATENT DOCUMENTS**

D. 24,313 5/1895 Taggart ..... D28/2  
 D. 24,363 6/1895 Crellin ..... D28/1  
 D. 27,484 8/1897 Zwoyer ..... D23/166  
 D. 51,534 11/1917 Williams ..... D28/8.1  
 D. 60,248 1/1922 Lane ..... D28/2  
 D. 67,509 6/1925 Durstine ..... D28/8.2  
 D. 88,351 11/1932 Herrly ..... D23/166  
 D. 91,644 12/1933 Blackstone ..... D28/2  
 D. 137,202 2/1944 Scott ..... D28/8.1  
 D. 187,372 3/1960 Dailey ..... D28/8.1  
 D. 192,131 1/1962 Weiss ..... D28/8.2  
 D. 213,873 4/1969 Byran ..... D28/2

D. 216,307 12/1969 Ninger .  
 D. 217,890 6/1970 Koenigsberg ..... D28/8.1  
 D. 223,759 6/1972 File .  
 D. 228,456 9/1973 Ninger .  
 D. 229,175 11/1973 Libertone et al. .  
 D. 262,663 1/1982 Neu et al. .... D28/8.1  
 1,144,743 6/1915 Upjohn ..... D28/8.1  
 2,410,110 10/1946 Taylor ..... 424/14

**FOREIGN PATENT DOCUMENTS**

1110203 10/1955 France ..... 252/92

**OTHER PUBLICATIONS**

Physicians' Desk References (PDR) 34th Ed., ©1980 Litton Hon Industries.

Thomas Mills and Brother, Excerpts from 1924 Catalog of Confectioners' Tools and Machinery, pp. 28, 37.

Thomas Mills & Bro., Confectioners' Machinery & Tools Catalogue X, pp. 43, 44, 45.

Soap Bars Digest.

*Primary Examiner*—Wallace R. Burke

*Assistant Examiner*—Horace B. Fay, Jr.

*Attorney, Agent, or Firm*—Joseph A. Marlino; Richard D. Foggio; Alan D. Lourie

[57] **CLAIM**

The ornamental design for a pharmaceutical tablet, as shown and described.

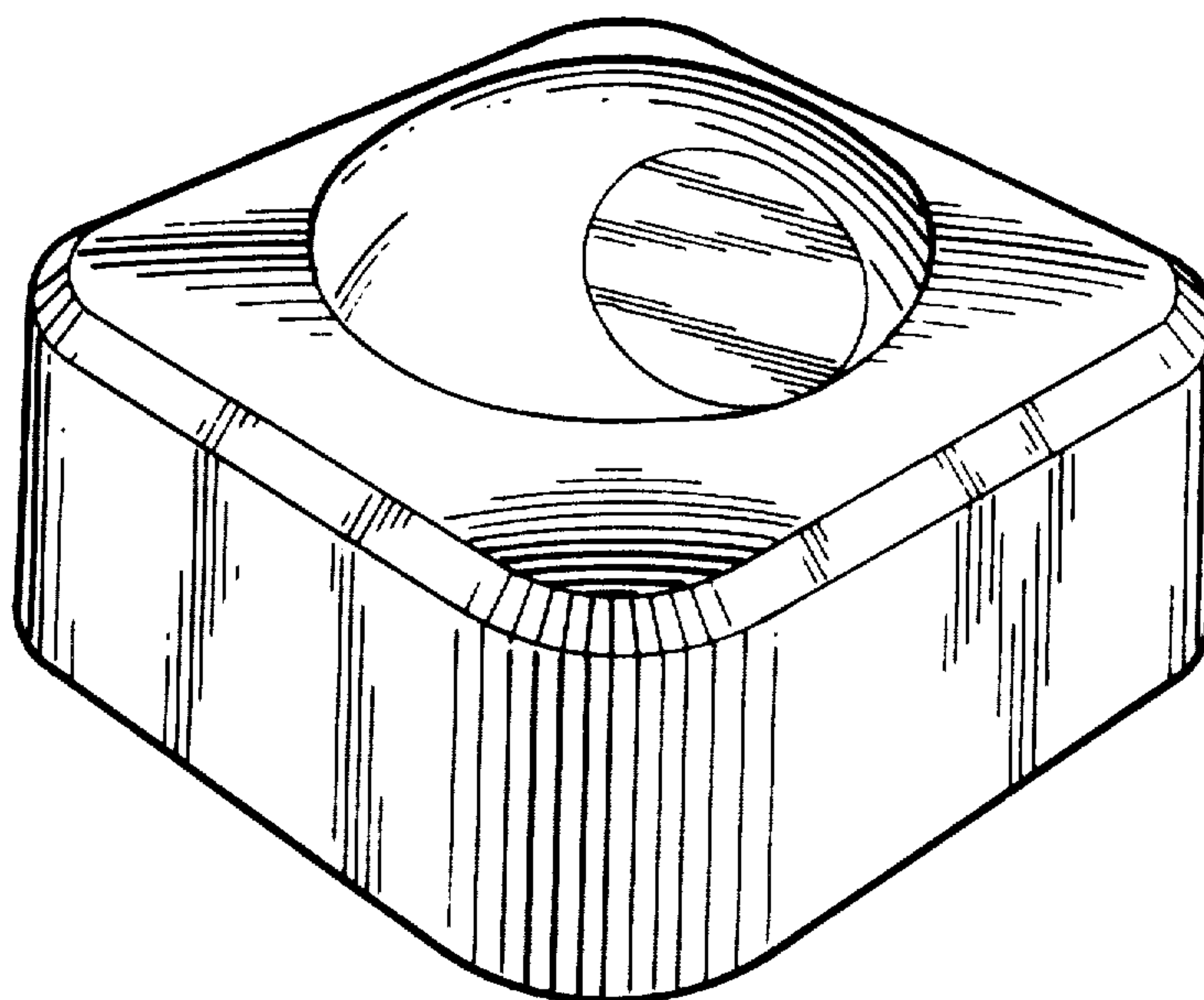
**DESCRIPTION**

FIG. 1 is a perspective view of a pharmaceutical tablet showing my new design;

FIG. 2 is a top plan view thereof;

FIG. 3 is a side elevation thereof, it being understood that the remaining sides are substantially identical to that shown;

FIG. 4 is a bottom plan view thereof.



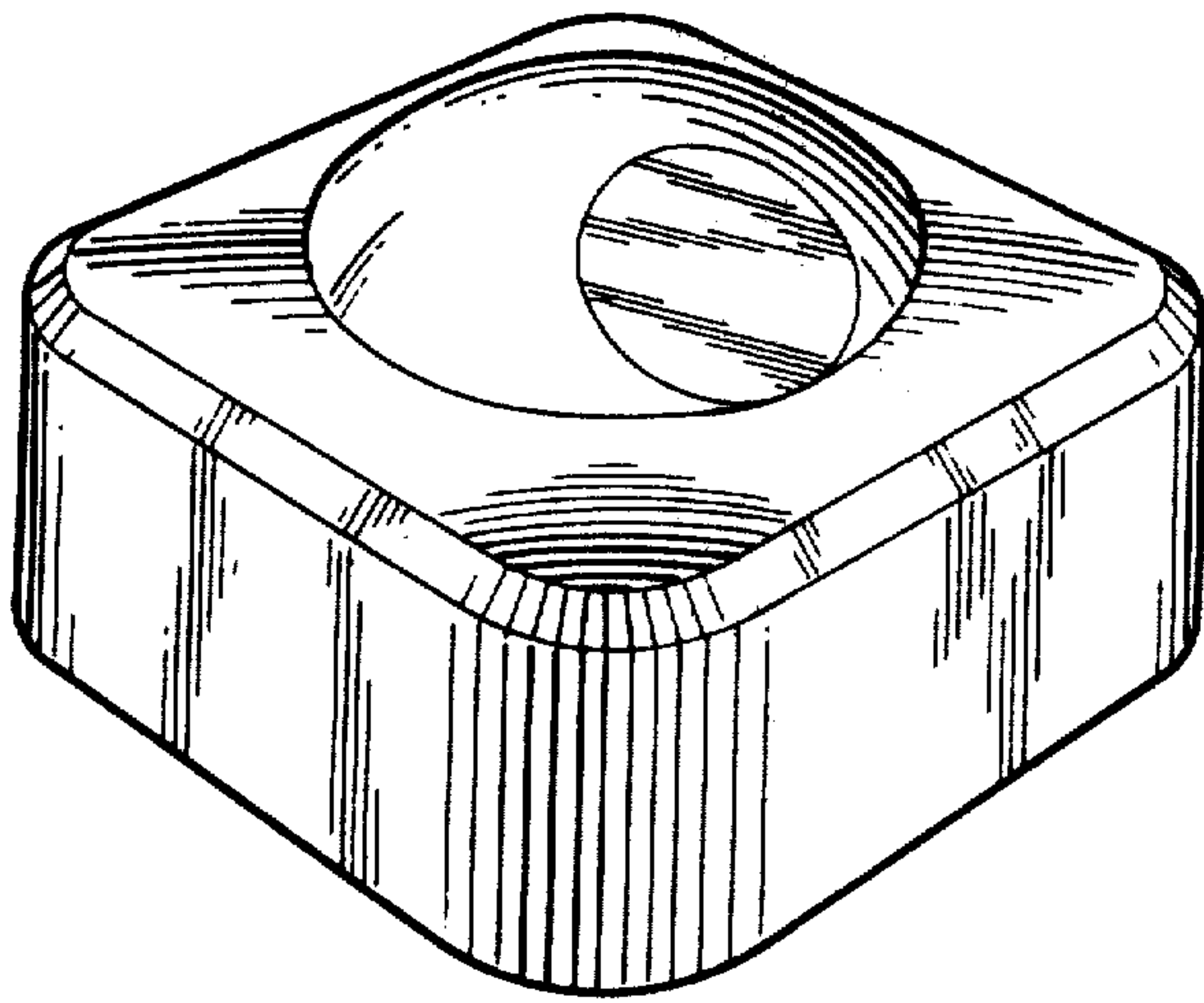


Fig. 1

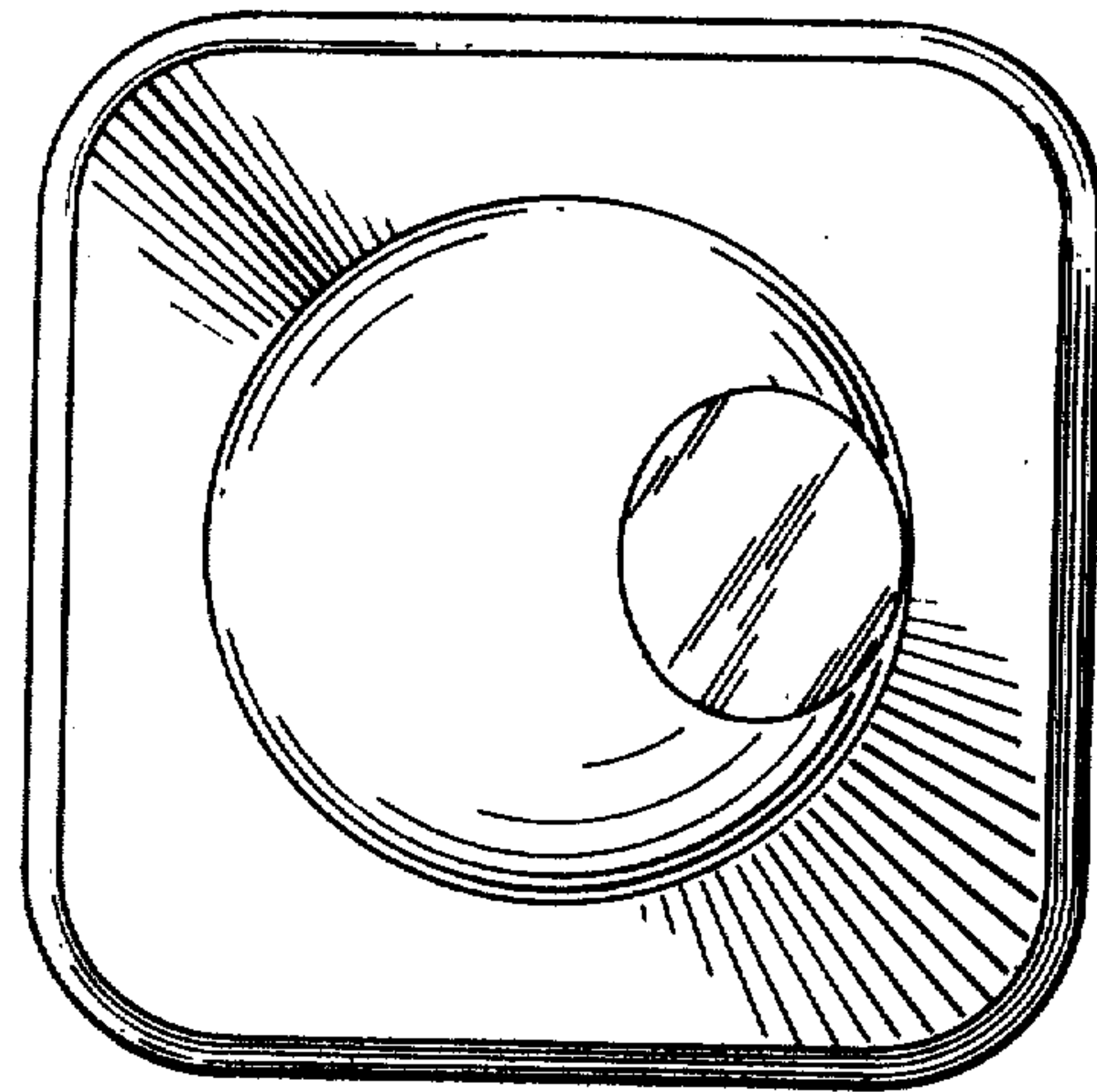


Fig. 2

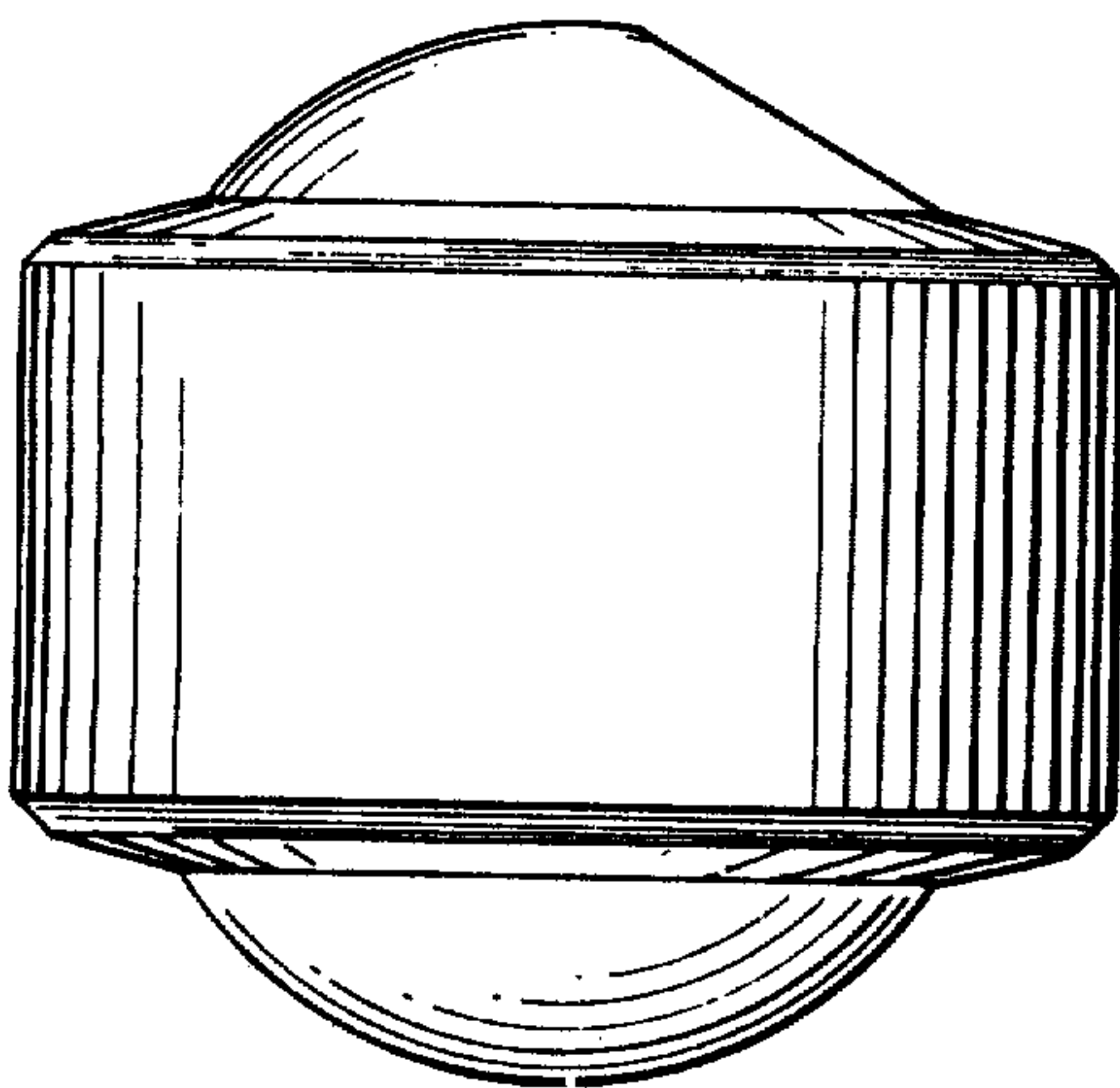


Fig. 3

Fig. 4

