

- [54] **PHARMACEUTICAL TABLET**
- [75] **Inventor:** Geoffrey D. Tovey, Harpenden, England
- [73] **Assignee:** Smith Kline & French Laboratories Limited, Welwyn Garden City, England
- [\*\*] **Term:** 14 Years
- [21] **Appl. No.:** 270,033
- [22] **Filed:** Jun. 3, 1981
- [30] **Foreign Application Priority Data**  
Apr. 28, 1981 [GB] United Kingdom ..... 1000024
- [51] **Int. Cl.** ..... D28—01
- [52] **U.S. Cl.** ..... D28/2; D28/8.1; D1/12; D21/95; 424/15
- [58] **Field of Search** ..... D28/1, 2, 8.1, 8.2; D1/12; D9/430, 432, 423; D6/89; D21/51, 95, 96, 98; 23/166; 252/92; 424/14, 15

[56] **References Cited**  
**U.S. PATENT DOCUMENTS**

- D. 91,644 3/1934 Blackstone .  
D. 216,307 12/1969 Ninger .  
D. 223,759 6/1972 File .  
D. 228,456 9/1973 Ninger .  
D. 229,175 11/1973 Libertone et al. .

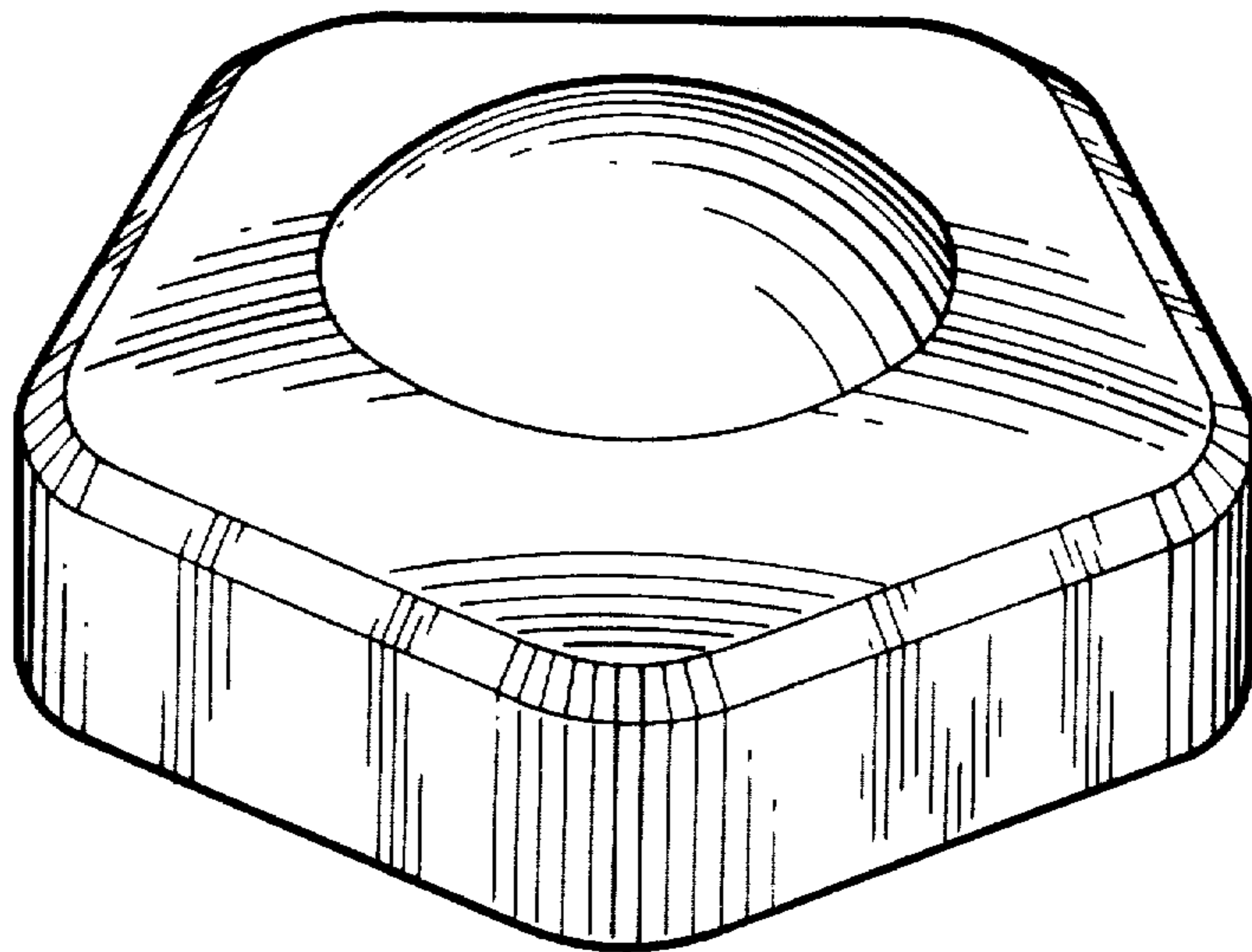
*Primary Examiner*—Wallace R. Burke  
*Assistant Examiner*—Horace B. Fay, Jr.  
*Attorney, Agent, or Firm*—Joseph A. Marlino; Richard D. Foggio; Alan D. Lourie

[57] **CLAIM**

The ornamental design for a pharmaceutical tablet, as shown and described.

**DESCRIPTION**

FIG. 1 is a perspective view of a pharmaceutical tablet showing my new design;  
FIG. 2 is a top or bottom plan view thereof;  
FIG. 3 is a side elevation thereof, it being understood that the remaining sides are identical to that shown.



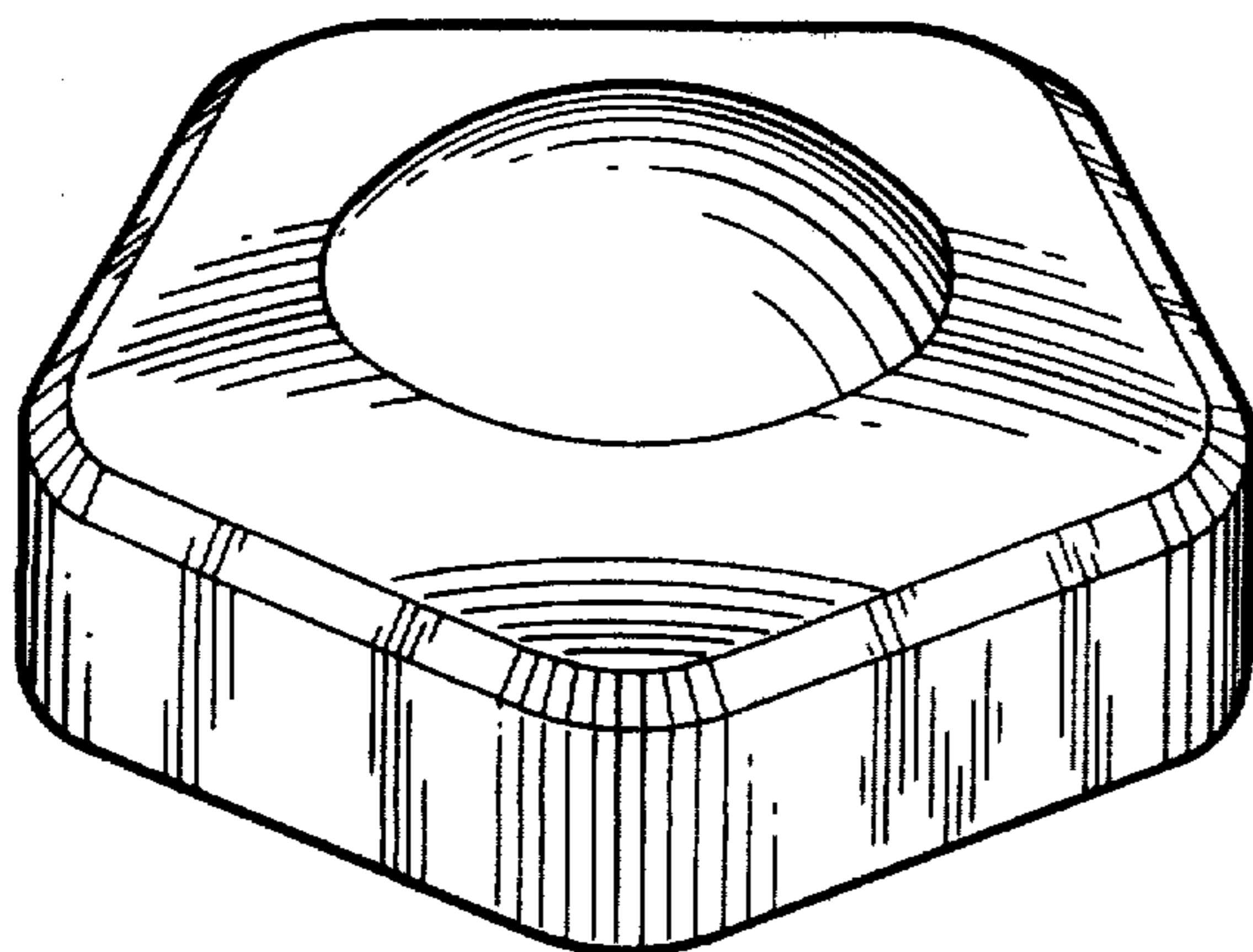


Fig. 1

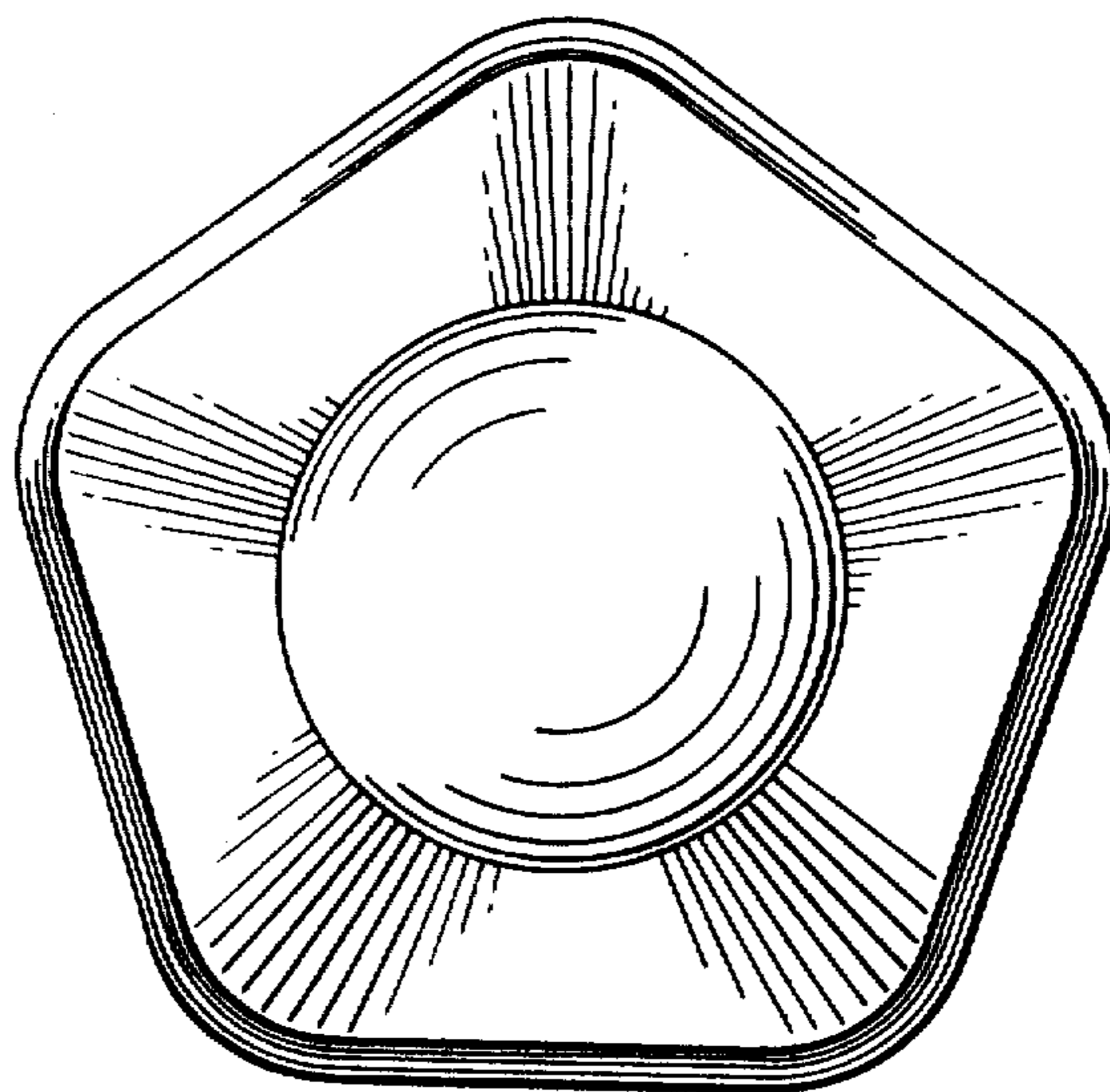


Fig. 2

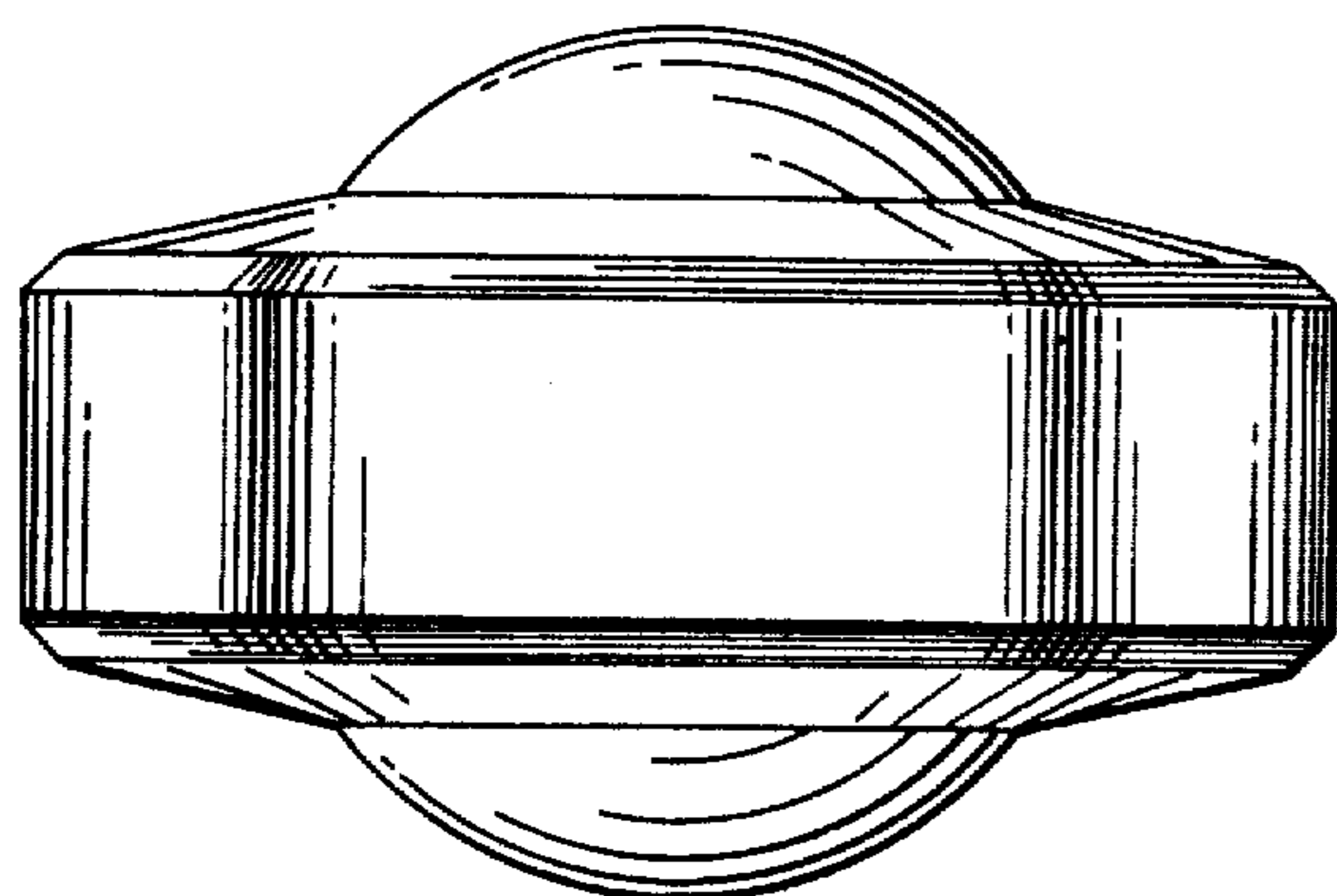


Fig. 3