

[54] DECORATIVE SLAT ASSEMBLY FOR A SUSPENDED CEILING OR THE LIKE

[75] Inventor: Jacques G. L. Thual, Paris, France

[73] Assignee: Hunter Douglas International N.V., Curacao, Netherlands Antilles

[**] Term: 14 Years

[21] Appl. No.: 256,517

[22] Filed: Apr. 22, 1981

[30] Foreign Application Priority Data

Oct. 23, 1980 [FR] France 803288

[51] Int. Cl. D25-01

[52] U.S. Cl. D25/89; D25/58; D25/92

[58] Field of Search 52/483, 484, 485, 486, 52/488, 489, 660, 661, 665, 337; D25/58, 80, 87, 88, 91, 92

[56] References Cited

U.S. PATENT DOCUMENTS

D. 260,040	7/1981	Maresla	D25/91
3,774,024	11/1973	Deaton	52/484 X
3,911,638	10/1975	Englund et al.	52/665 X
4,027,446	6/1977	Henricus	52/483 X

Primary Examiner—A. Hugo Word
Attorney, Agent, or Firm—Pennie & Edmonds

[57] CLAIM

The ornamental design for a decorative slat assembly for a suspended ceiling or the like, substantially as described and shown.

DESCRIPTION

FIG. 1 is a front perspective view from one side and above of the inventive decorative slat assembly for a suspended ceiling;

FIG. 2 is a rear elevation of a slat assembly for a suspended ceiling, illustrated in FIG. 1;

FIG. 3 is a side elevation of the slat assembly for a suspended ceiling of FIG. 1, viewed from the other side;

FIG. 4 is a bottom view of the slat assembly for a suspended ceiling illustrated in FIG. 1.

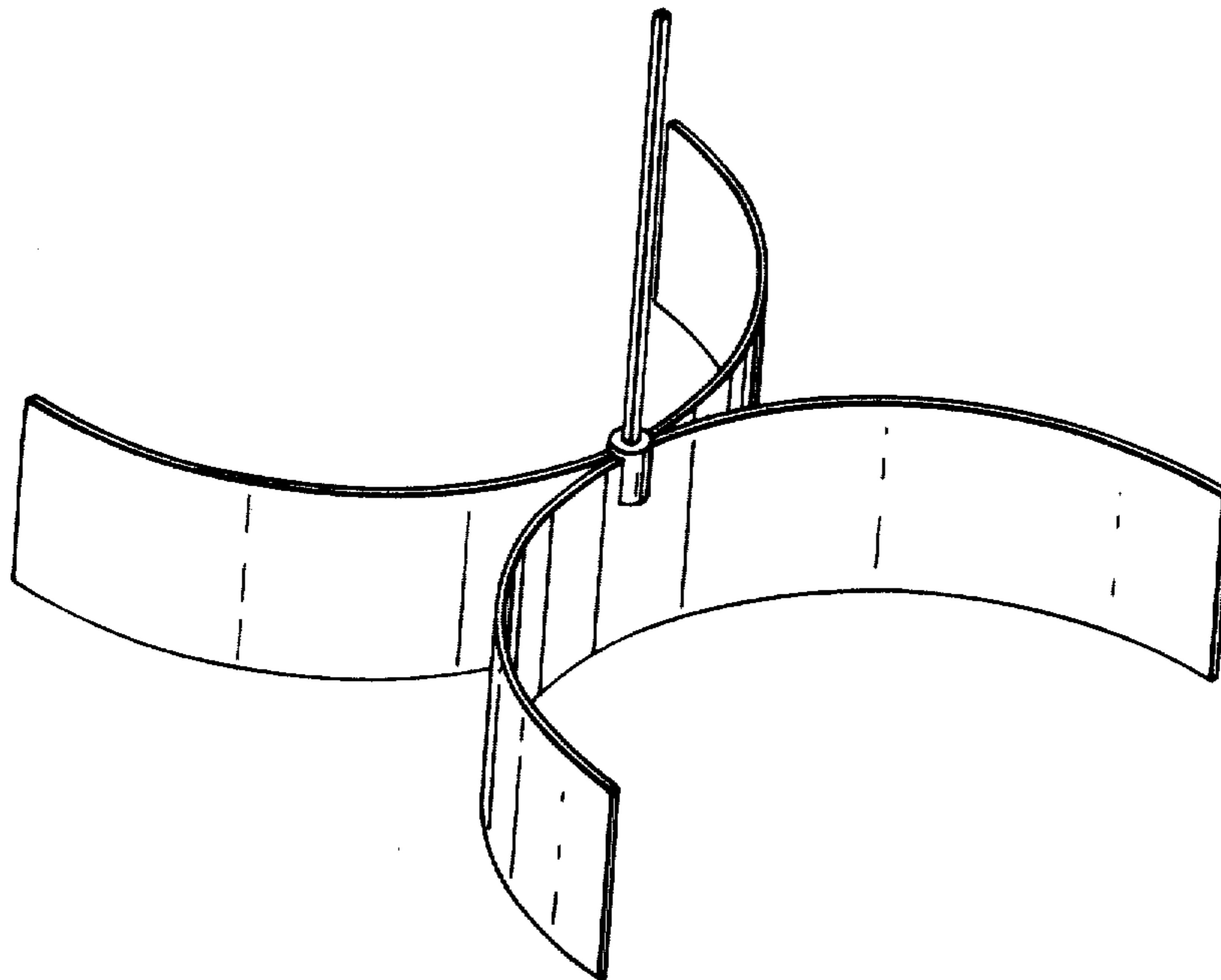


Fig. 1.

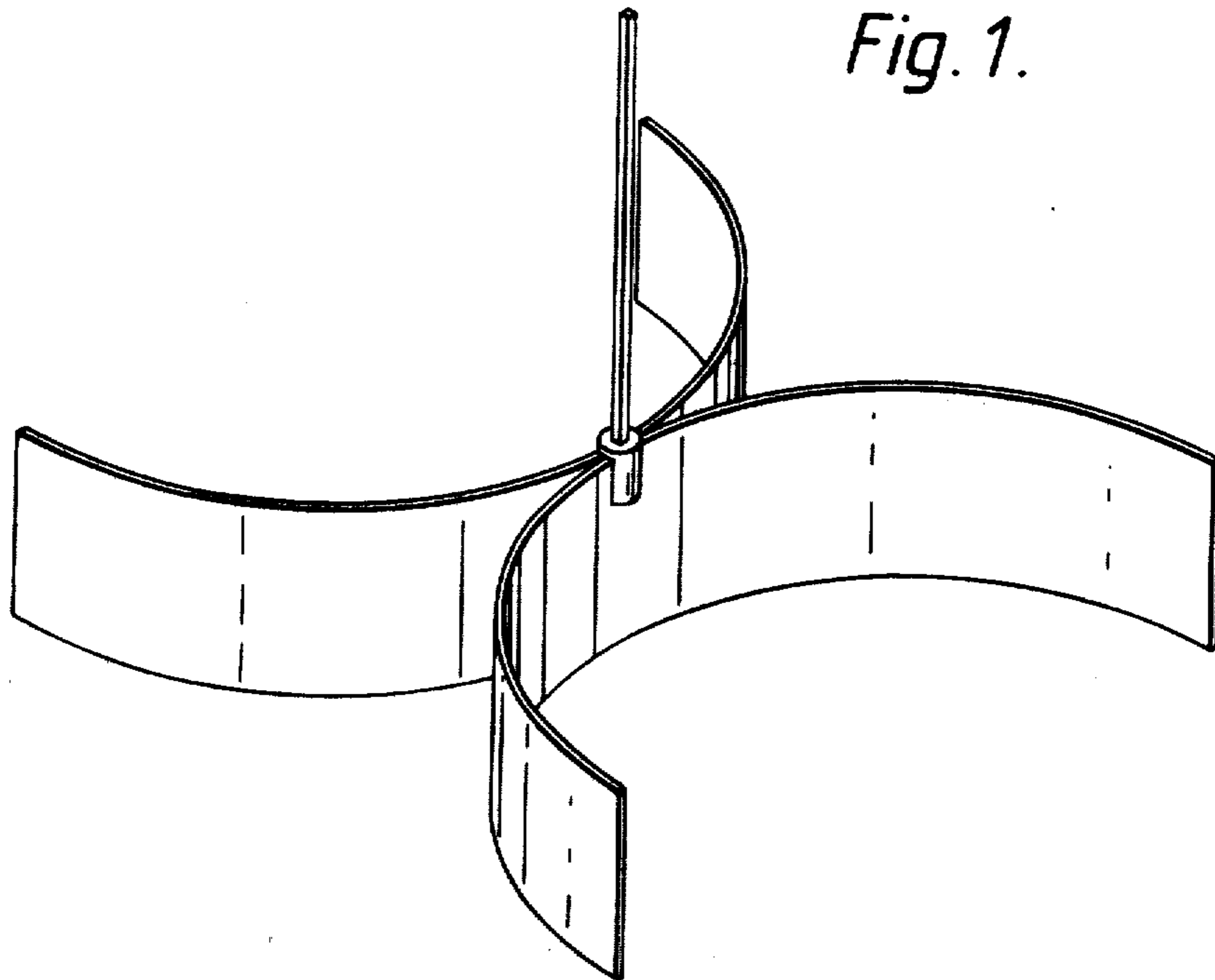


Fig. 2.

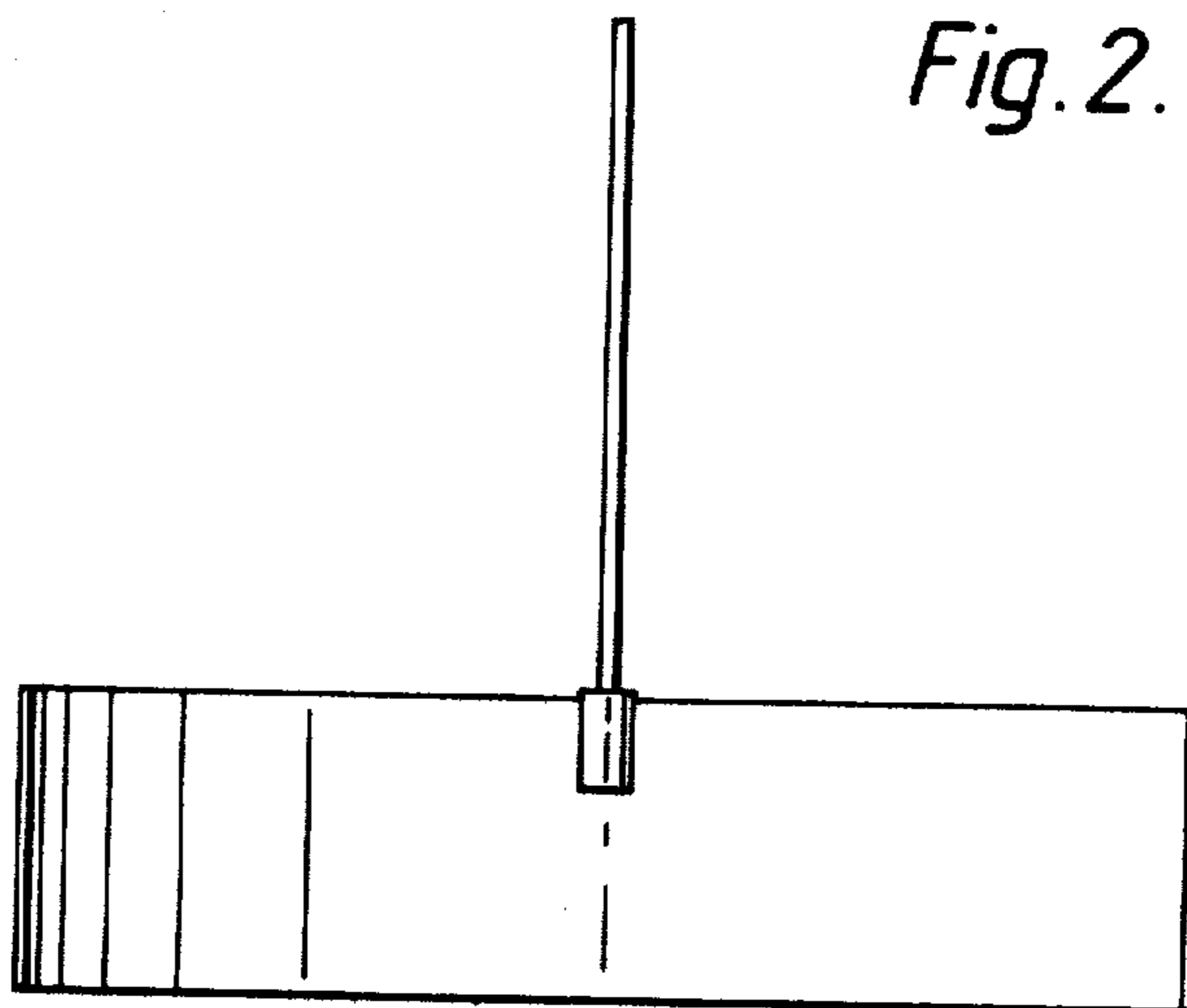


Fig. 3.

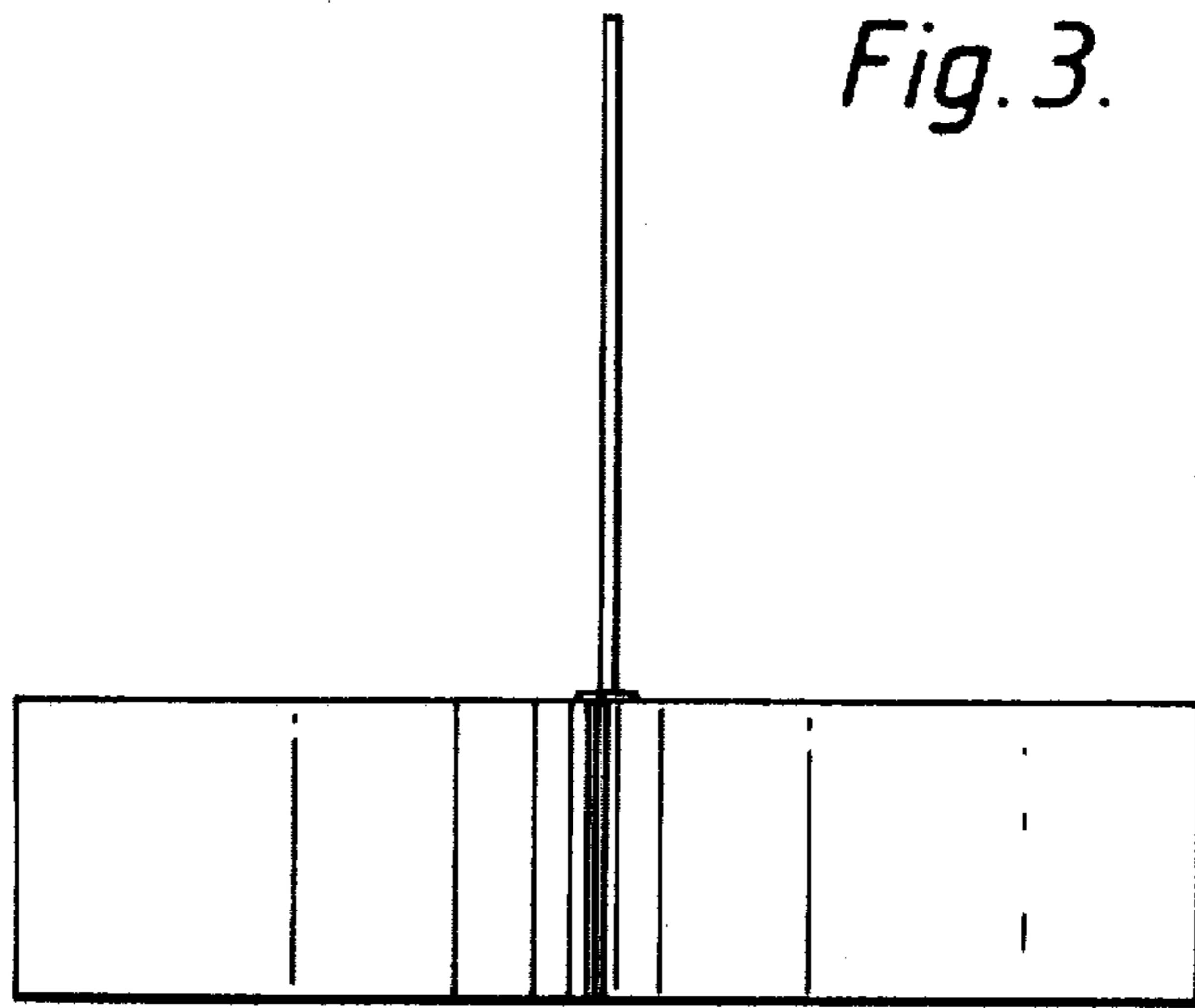


Fig. 4.

