

[54] MICROVETTE ASSEMBLY

[75] Inventors: Osmo Suovaniemi; Pertti Ekholm, both of Helsinki; Esko Kaukanen, Espoo; Aarre Kukka, Helsinki, all of Finland

[73] Assignee: Kommandiittiyhtio Finnipipette Osmo A. Suovaniemi, Finland

[**] Term: 14 Years

[21] Appl. No.: 201,327

[22] Filed: Oct. 27, 1980

[30] Foreign Application Priority Data

Apr. 28, 1980 [FI] Finland 332/80

[51] Int. Cl. D24-99

[52] U.S. Cl. D24/8; D24/32

[58] Field of Search D24/8, 31, 32, 99, 29; 356/244; 435/284, 285, 296, 297, 298, 300, 301; 211/71, 72, 73, 74; 206/557, 558

[56] References Cited

U.S. PATENT DOCUMENTS

D. 242,545	11/1976	Perfect	D24/31
D. 246,466	11/1977	Attree et al.	D24/31
3,356,462	12/1967	Cooke et al.	206/558 X
3,713,771	1/1973	Taylor et al.	211/74 X
4,090,850	5/1978	Chen et al.	422/102 X

Primary Examiner—Susan J. Lucas
Attorney, Agent, or Firm—Hopgood, Calimafde, Kalil, Blaustein & Judlowe

[57] CLAIM

The ornamental design for a microcuvette assembly, substantially as shown and described.

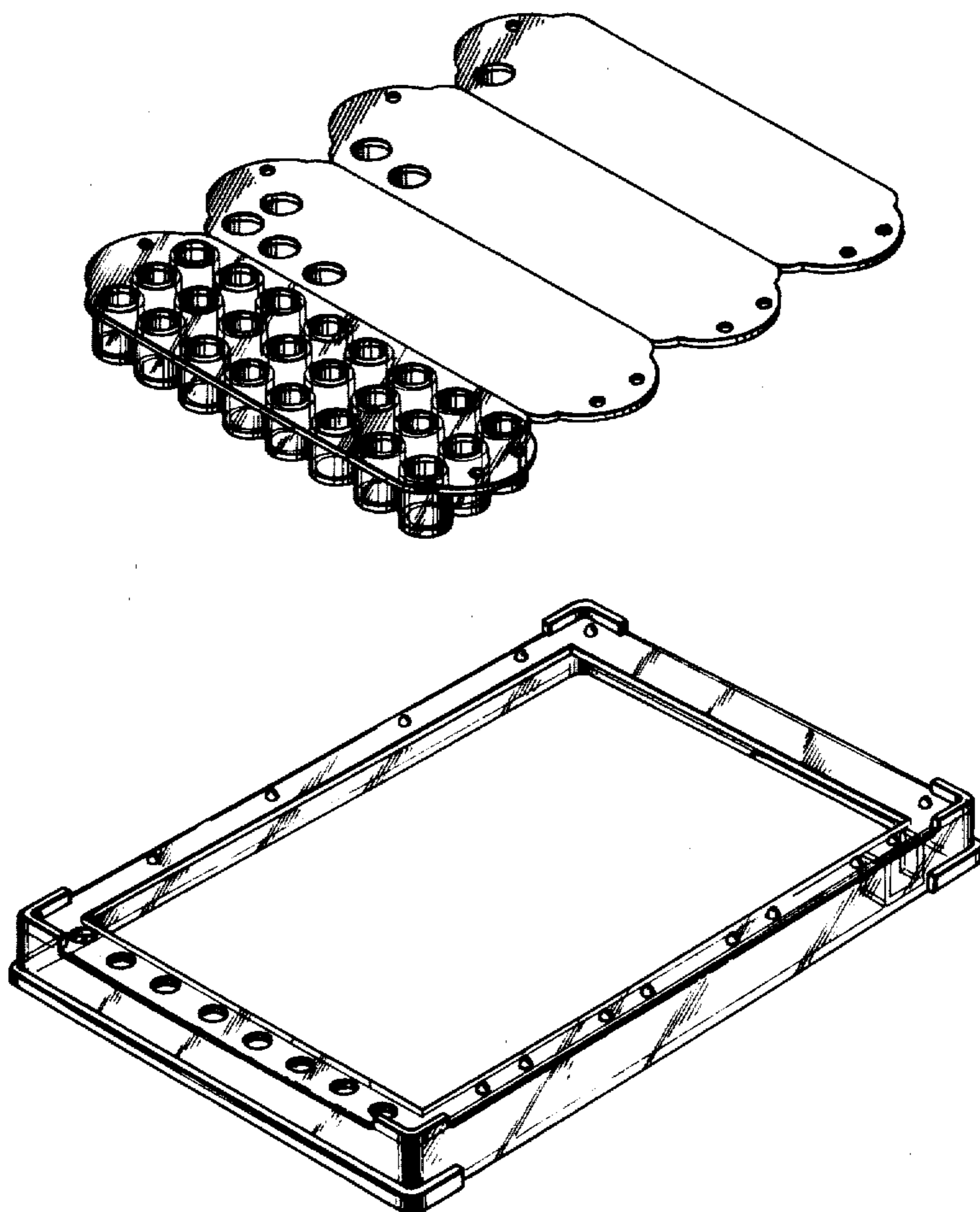
DESCRIPTION

FIG. 1 is an exploded perspective view of a microcuvette assembly showing our new design, the details of three of the microcuvette units being omitted for convenience of illustration;

FIG. 2 is a top plan view of the microcuvette assembly with all four units in the frame;

FIG. 3 is a side elevational view of the microcuvette assembly;

FIG. 4 is a bottom plan view of the microcuvette assembly.



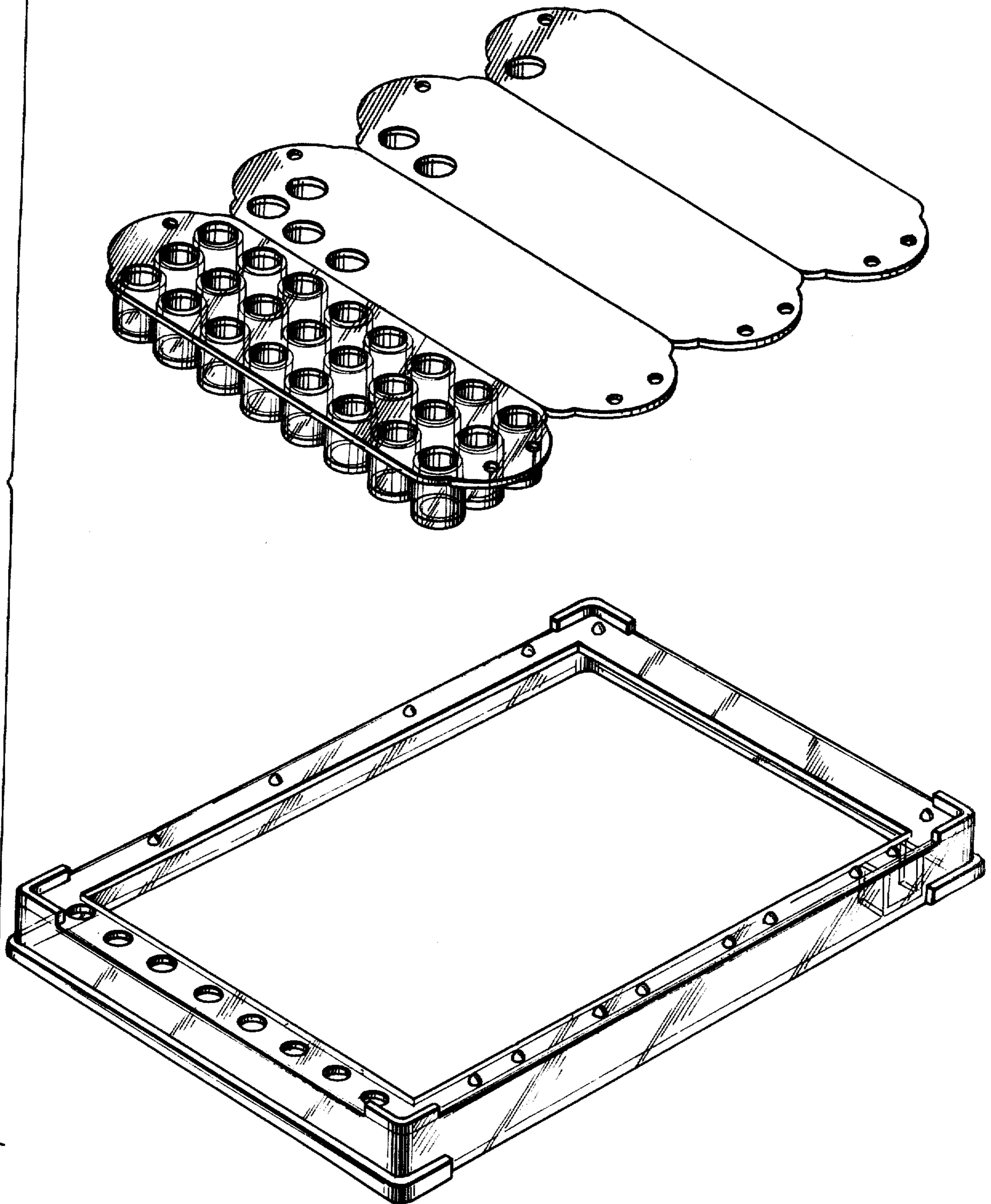


FIG. 1

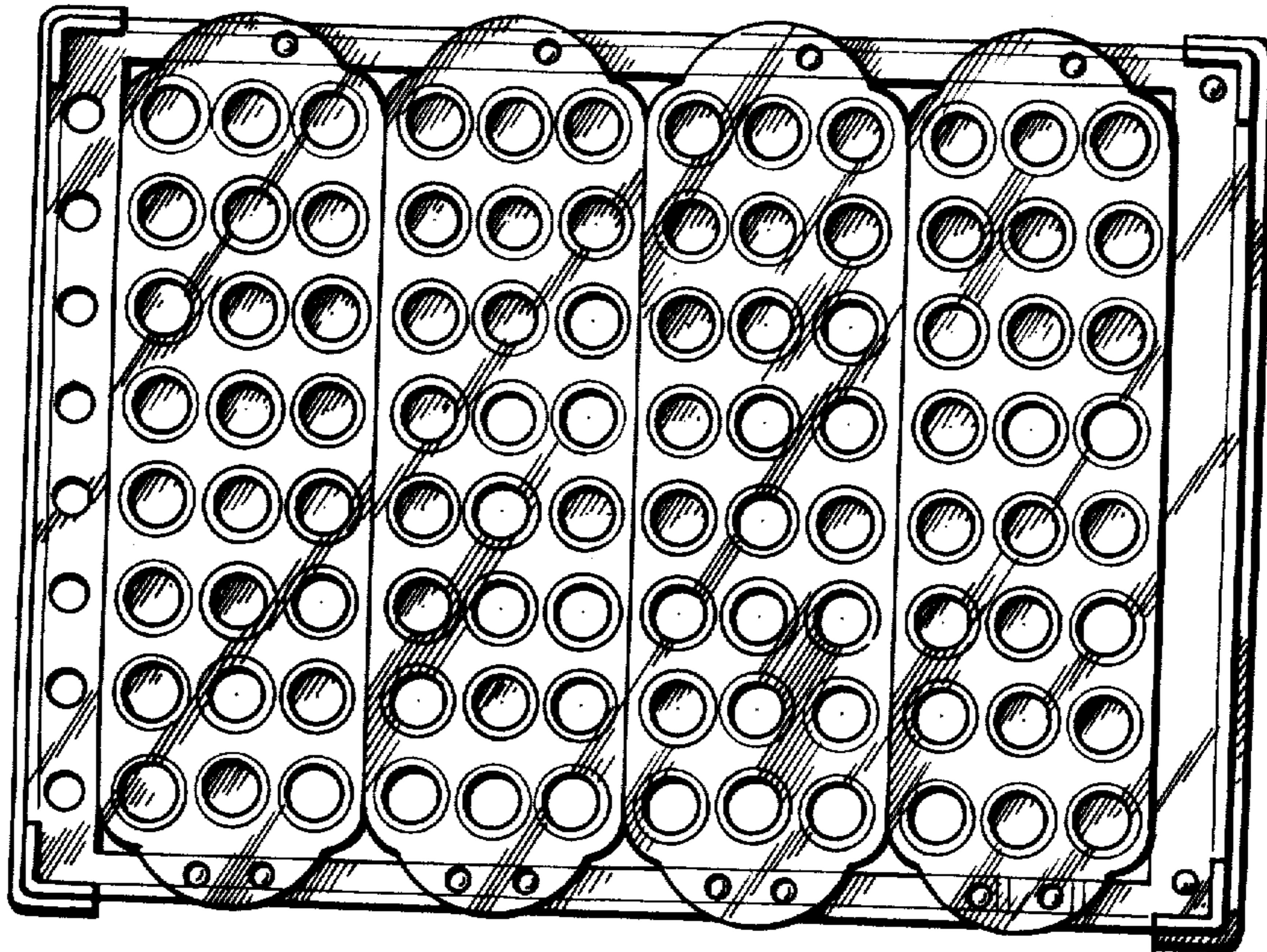


FIG. 2

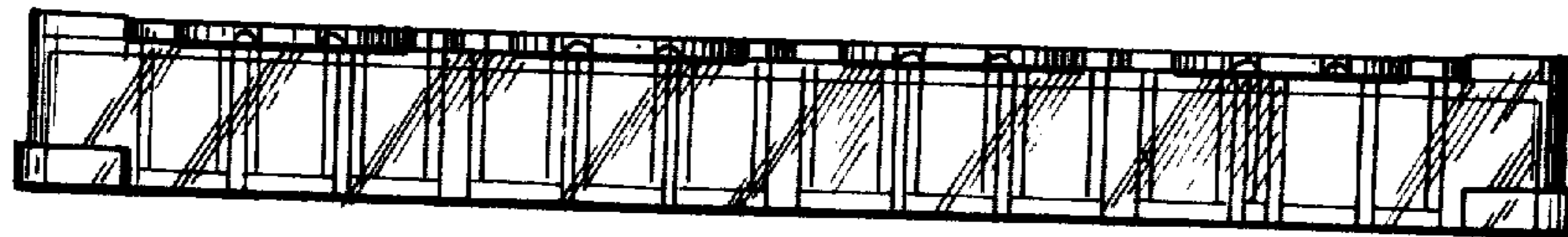


FIG. 3

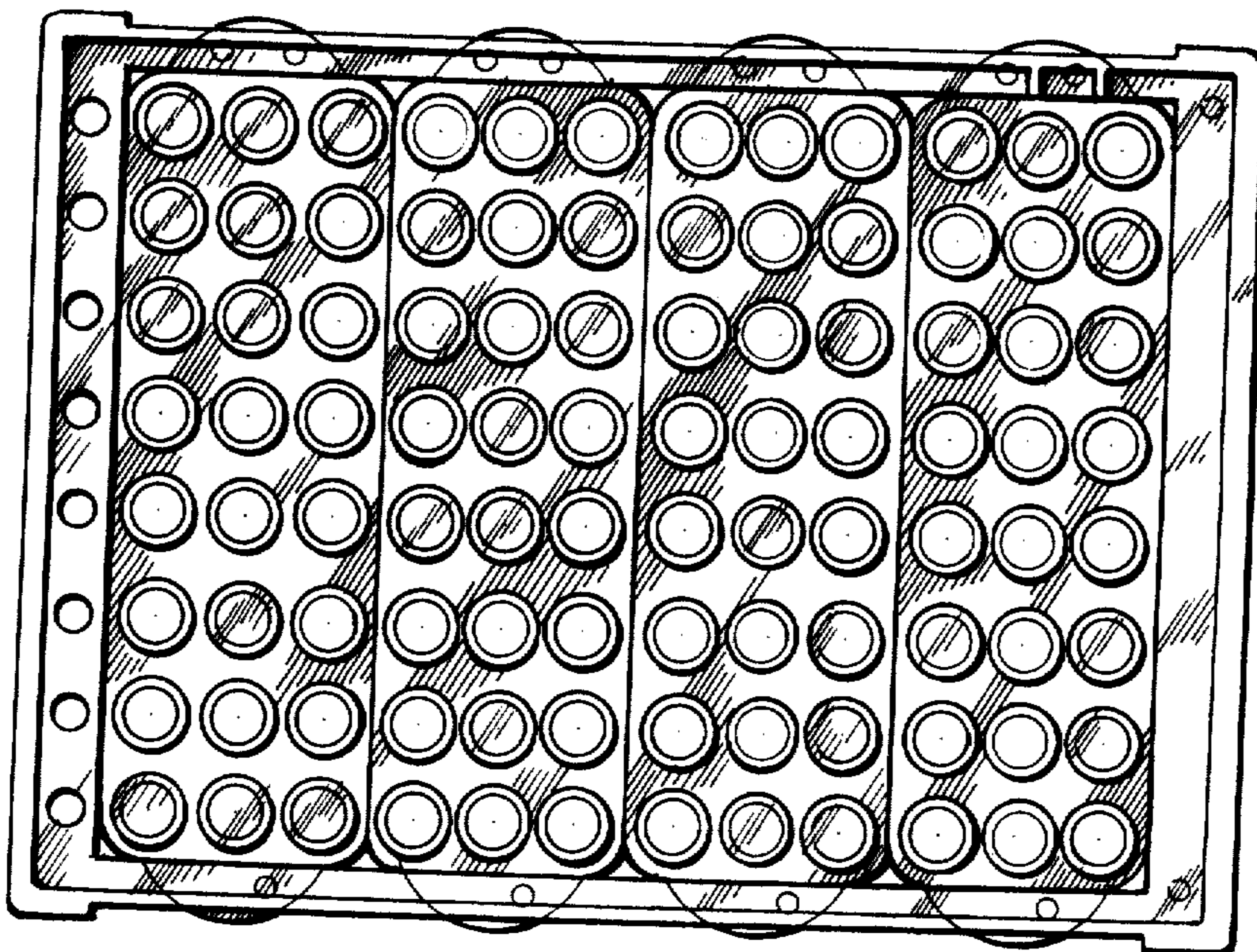


FIG. 4