

[54] **STOVE**

[76] **Inventor:** Donald A. Crawford, Box 153,
Smeltonville, Id. 83868

[**] **Term:** 14 Years

[21] **Appl. No.:** 240,474

[22] **Filed:** Mar. 3, 1981

[51] **Int. Cl.** D23—03
[52] **U.S. Cl.** D23/97
[58] **Field of Search** D23/92-97,
D23/10 S; 126/4, 6, 58, 60-66, 120, 121, 123,
126; D7/107, 108, 109, 110

[56]

References Cited

U.S. PATENT DOCUMENTS

D. 204,579 4/1966 Weatherly D7/108
D. 260,069 8/1981 Birmingham D7/109

Primary Examiner—Catherine E. Kemper
Attorney, Agent, or Firm—Wells, St. John & Roberts

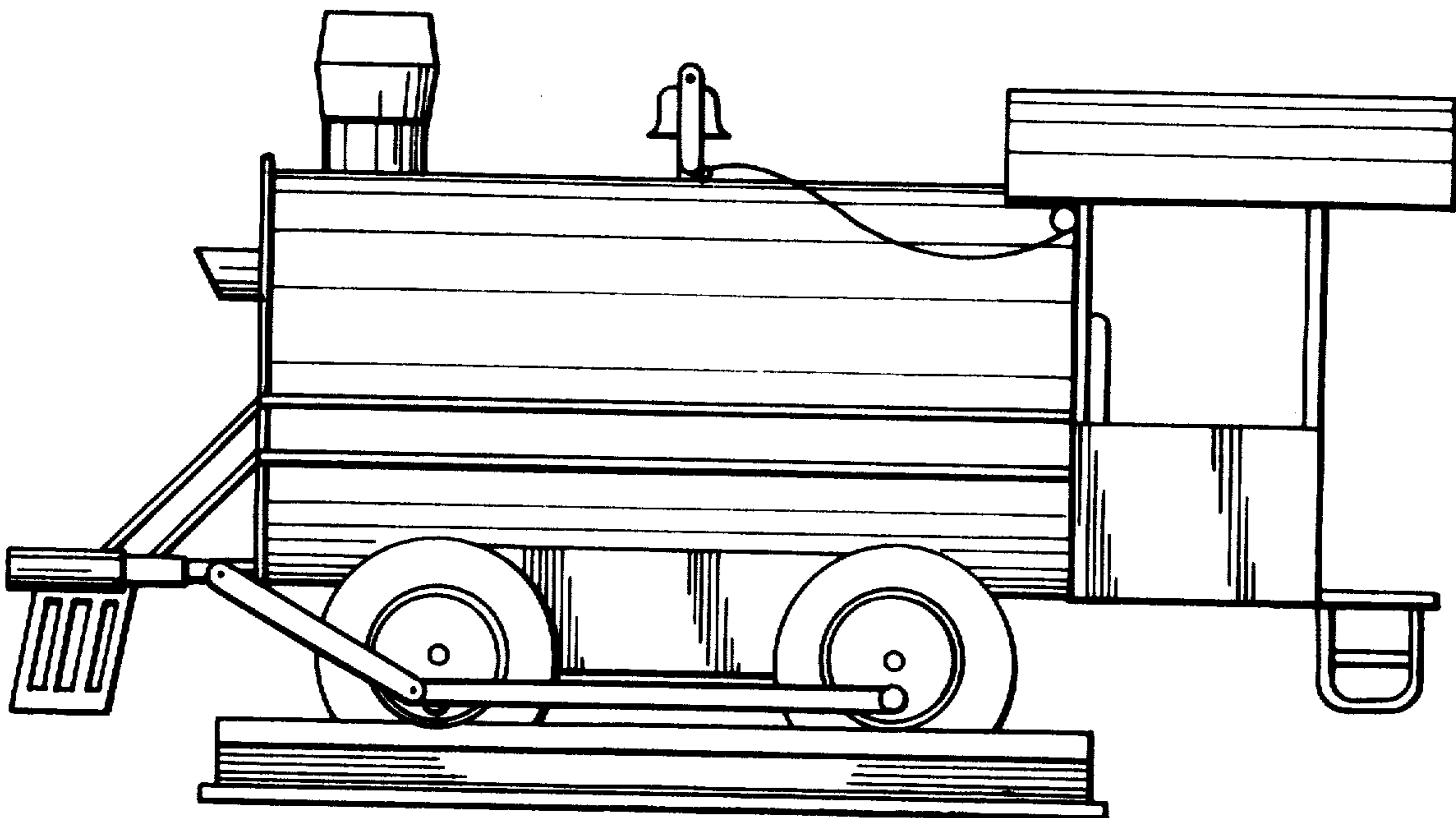
[57]

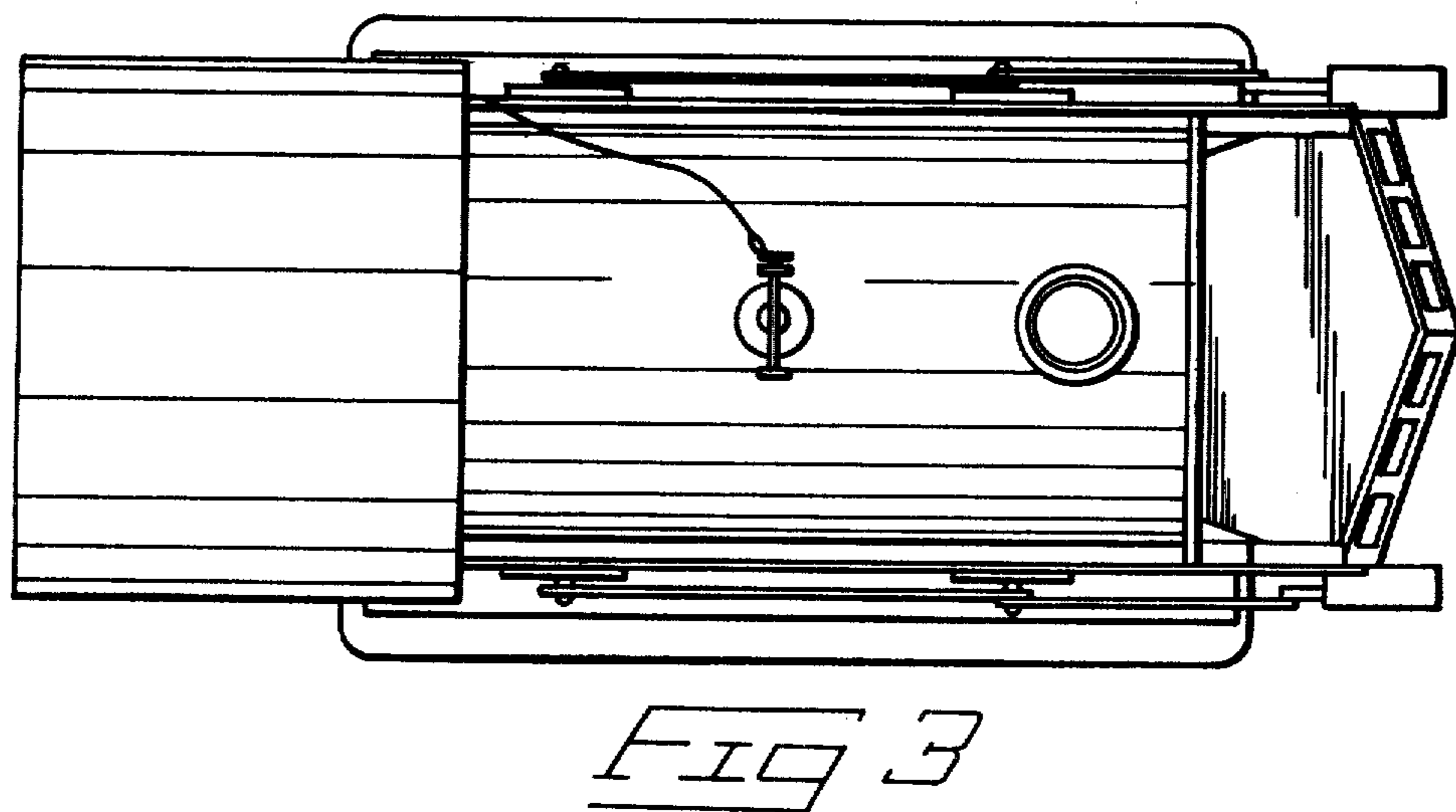
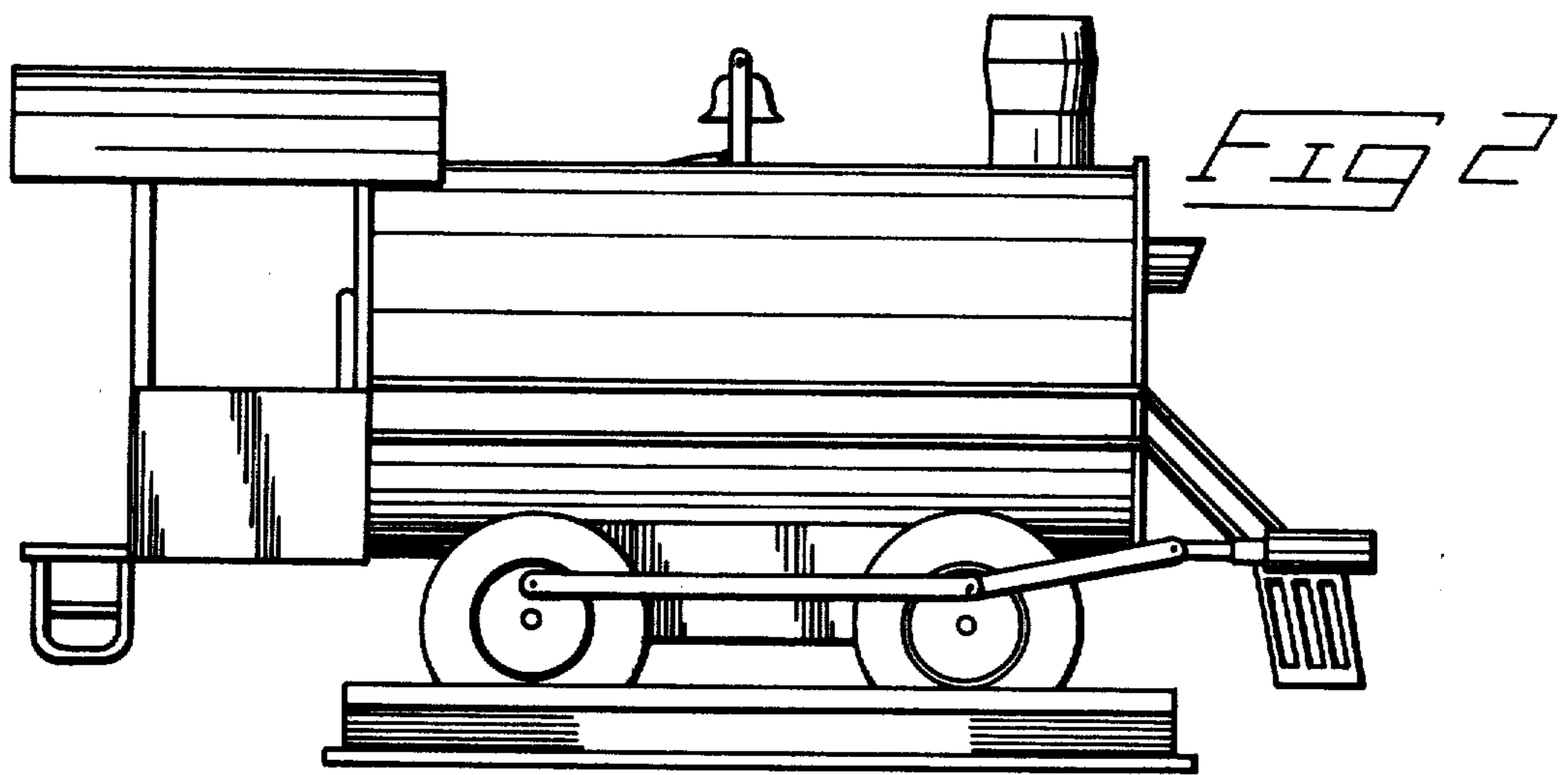
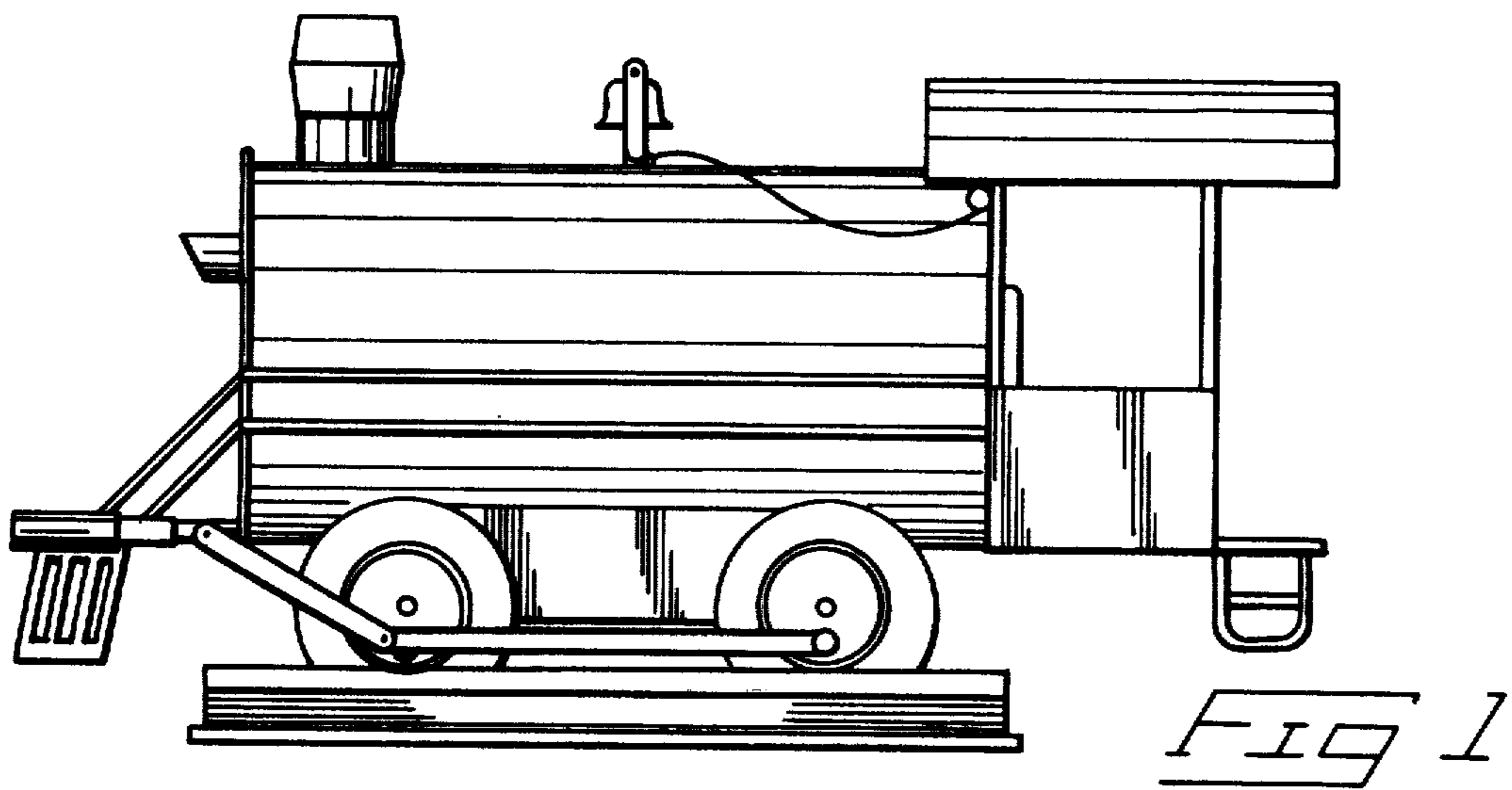
CLAIM

The ornamental design for a stove, as shown and described.

DESCRIPTION

FIG. 1 is a side elevational view of a stove showing my new design;
FIG. 2 is an opposite side elevational view thereof;
FIG. 3 is a top plan view thereof;
FIG. 4 is an end view thereof as seen from the right in FIG. 1; and
FIG. 5 is an opposite end view thereof as seen from the left in FIG. 1.





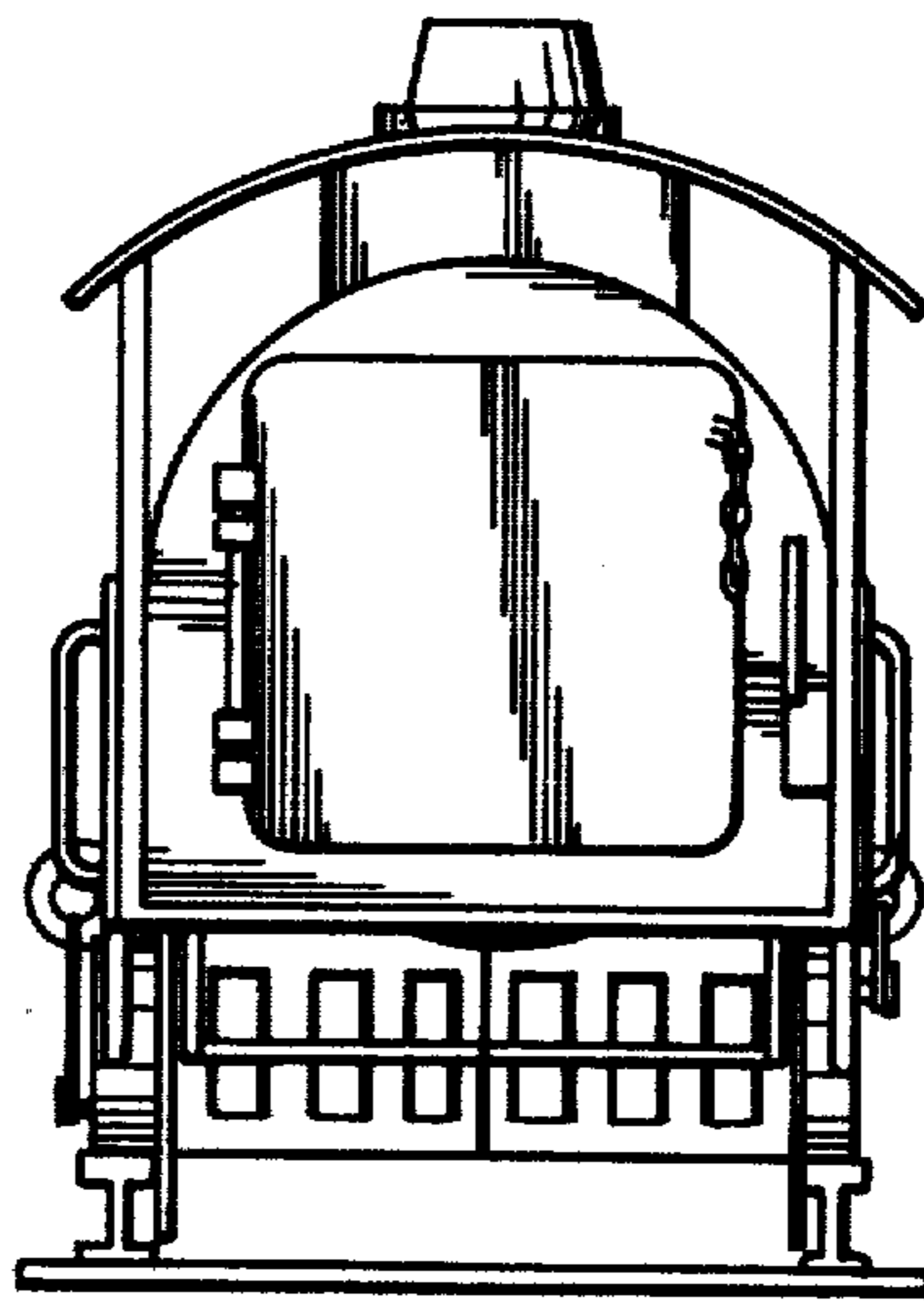


FIG 4

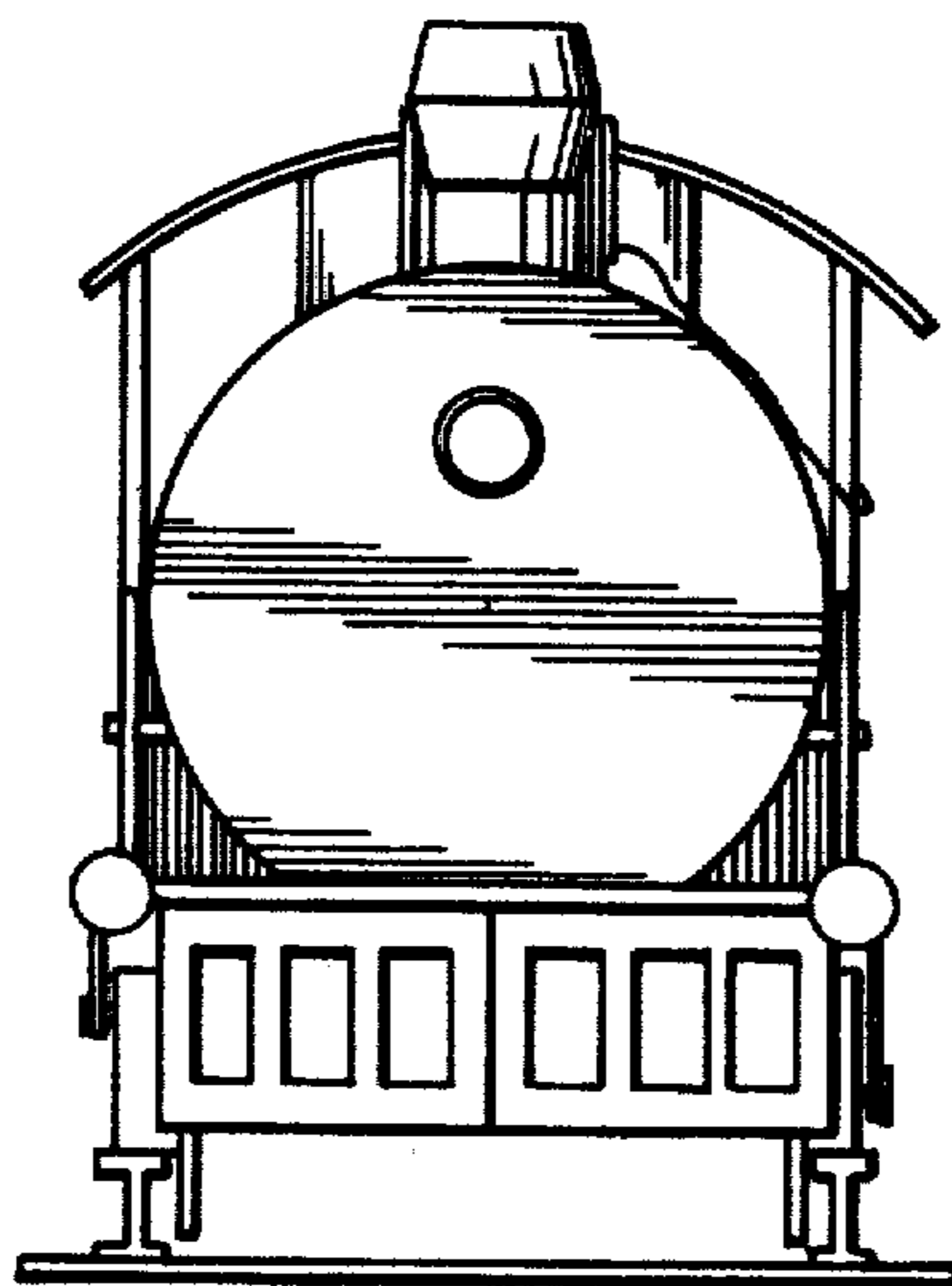


FIG 5