

[54] CAP FOR A FAUCET HANDLE
 [75] Inventor: James E. Niemann, Louisville, Ky.
 [73] Assignee: American Standard Inc., New York, N.Y.
 [**] Term: 14 Years
 [21] Appl. No.: 169,538
 [22] Filed: Jul. 17, 1980
 [51] Int. Cl. D23-01
 [52] U.S. Cl. D23/28
 [58] Field of Search D23/23-31;
 D8/307, 310-312; 16/121

D. 258,524 3/1981 Thevenot D23/28
 D. 261,223 10/1981 Scholl D8/310
 3,249,990 5/1966 Schlage 16/121

Primary Examiner—James R. Largen
 Attorney, Agent, or Firm—James J. Salerno, Jr.; Robert G. Crooks; John P. Sinnott

[57] CLAIM

The ornamental design for a cap for a faucet handle, substantially as shown and described.

DESCRIPTION

FIG. 1 is a top plan view of a cap for a faucet handle showing my new design;
 FIG. 2 is a cross sectional view taken on line 2—2 of FIG. 1;
 FIG. 3 is a bottom plan view thereof;
 FIG. 4 is a top plan view of a modified form of the cap for a faucet handle shown in FIG. 1;
 FIG. 5 is a side elevational view thereof, the opposite side being the same as the side shown; and
 FIG. 6 is another side elevational view thereof partially broken away with the cap rotated 90 degrees from FIG. 5, the opposite side being the same as the side shown.

[56] References Cited
 U.S. PATENT DOCUMENTS

D. 207,986	6/1967	Smalley	D23/28
D. 213,441	3/1969	Frankel et al.	D23/28
D. 217,668	5/1970	Rowlands	D23/28
D. 227,251	6/1973	Botefur et al.	D23/28
D. 227,566	7/1973	Thorp	D23/28
D. 227,567	7/1973	Thorp	D23/28
D. 238,948	2/1976	Landell	D23/28

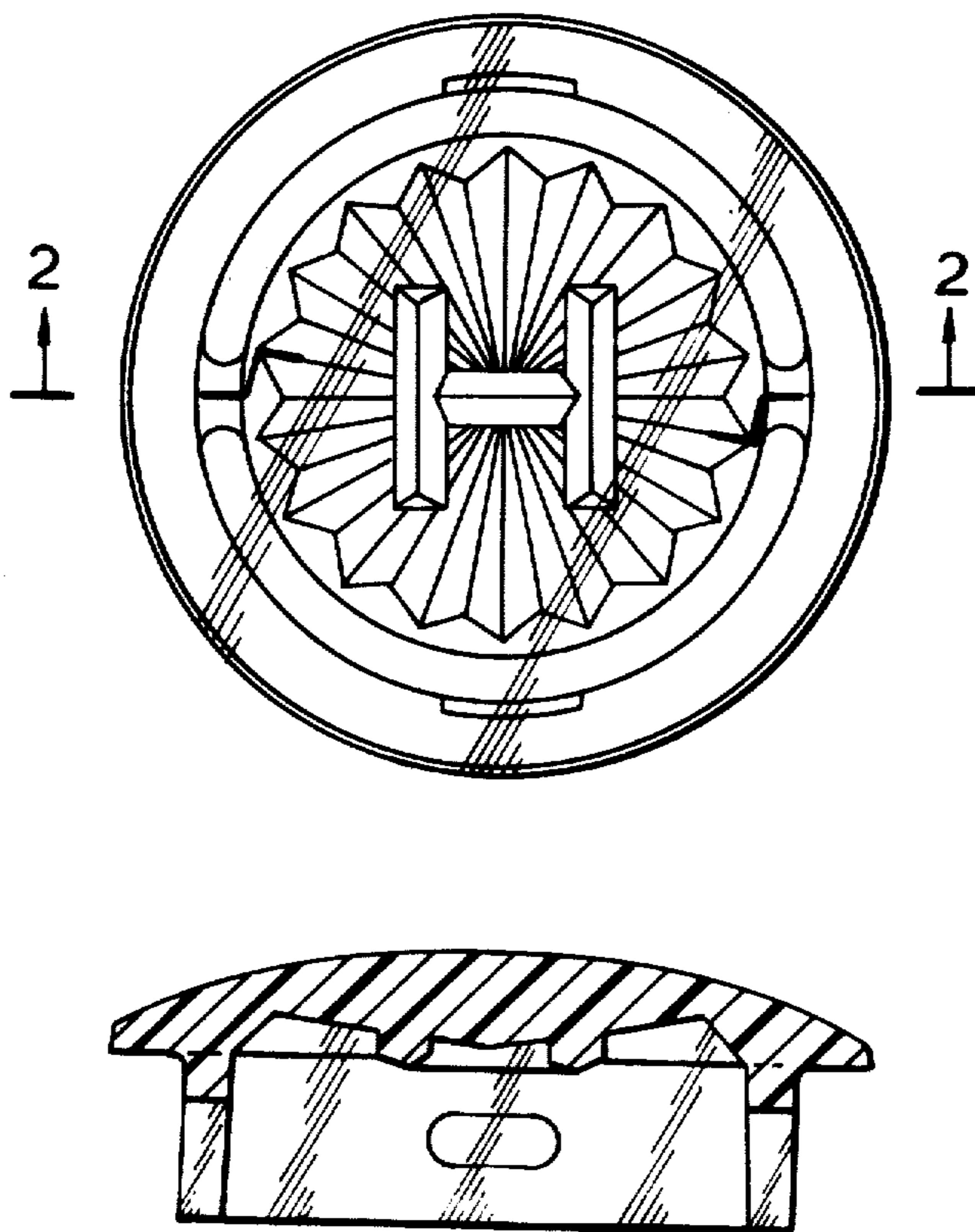


FIG. 1

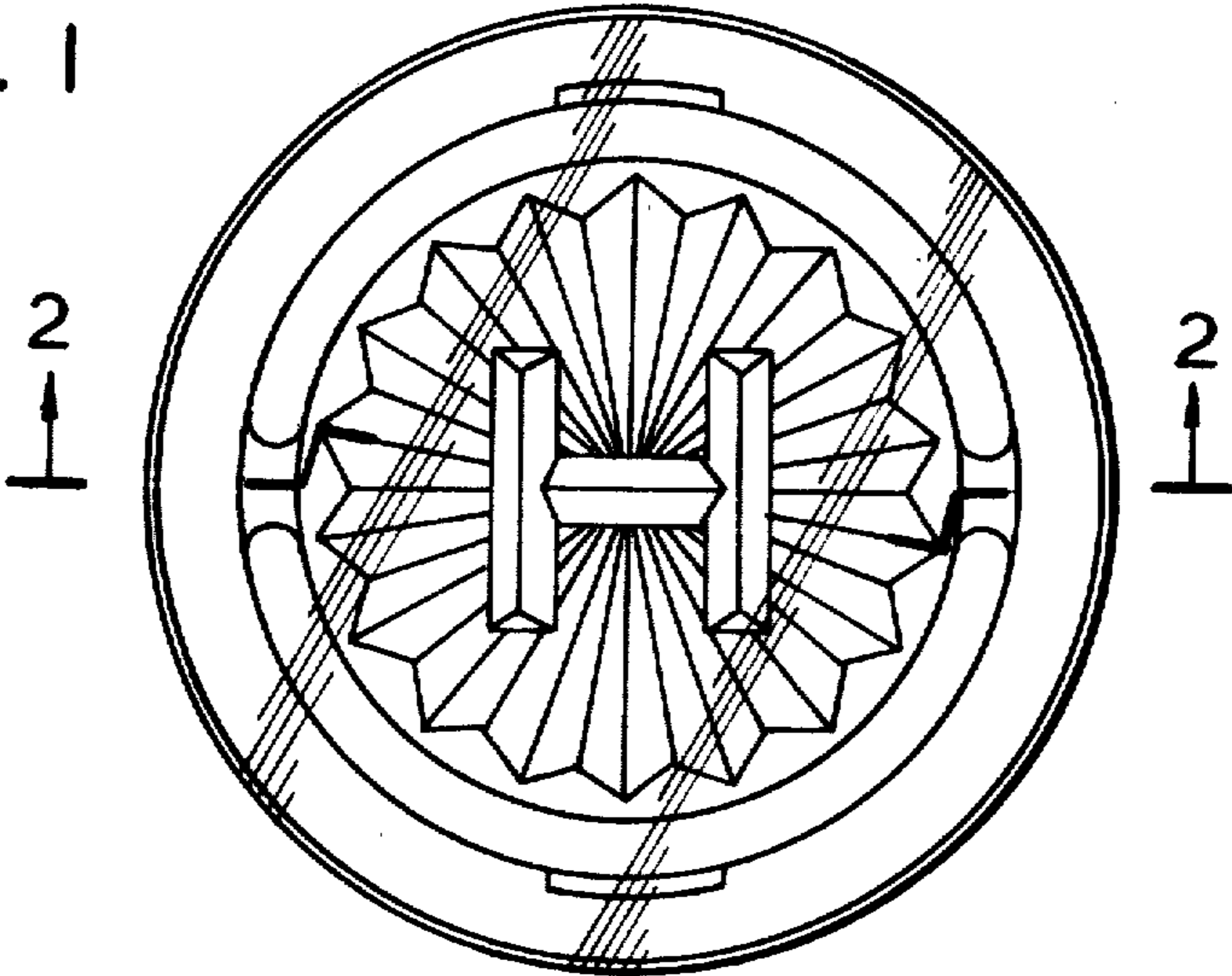


FIG. 2

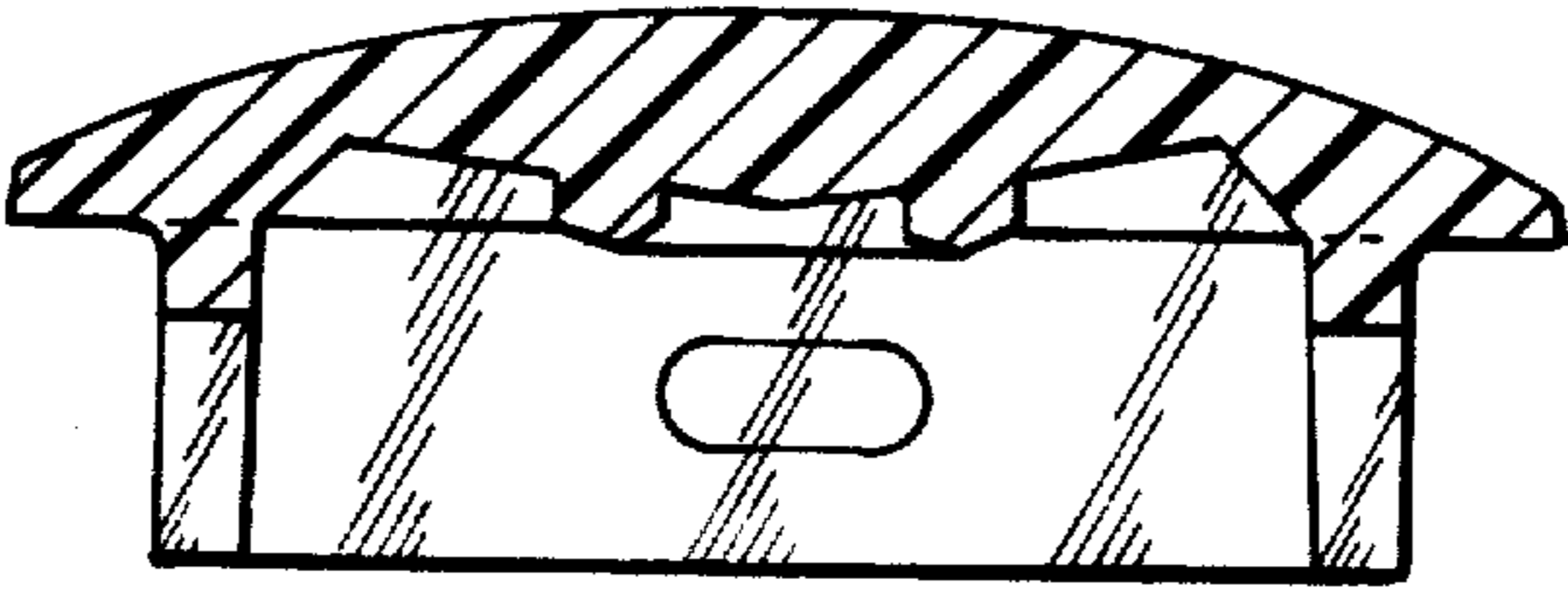


FIG. 3

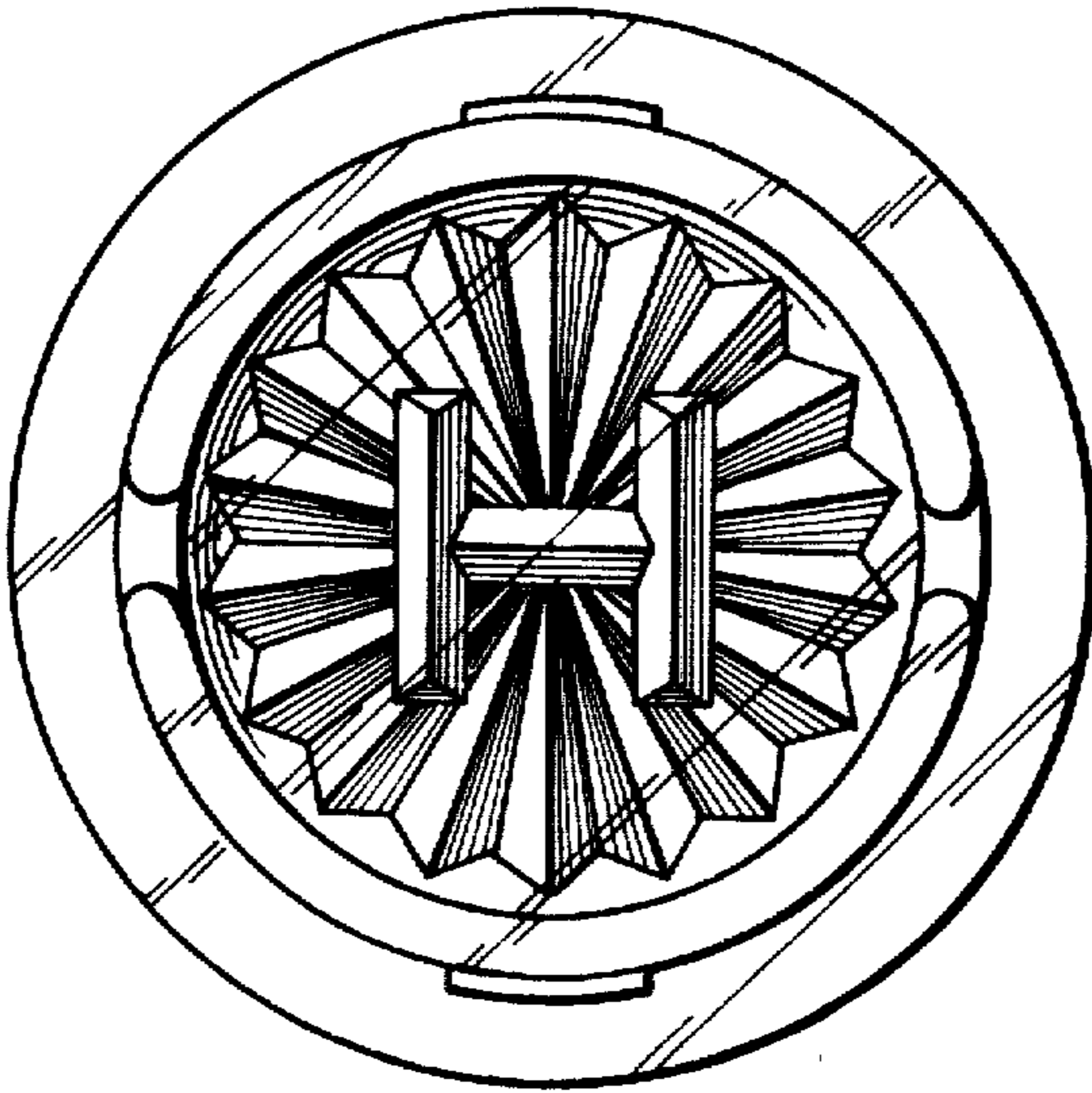


FIG. 4

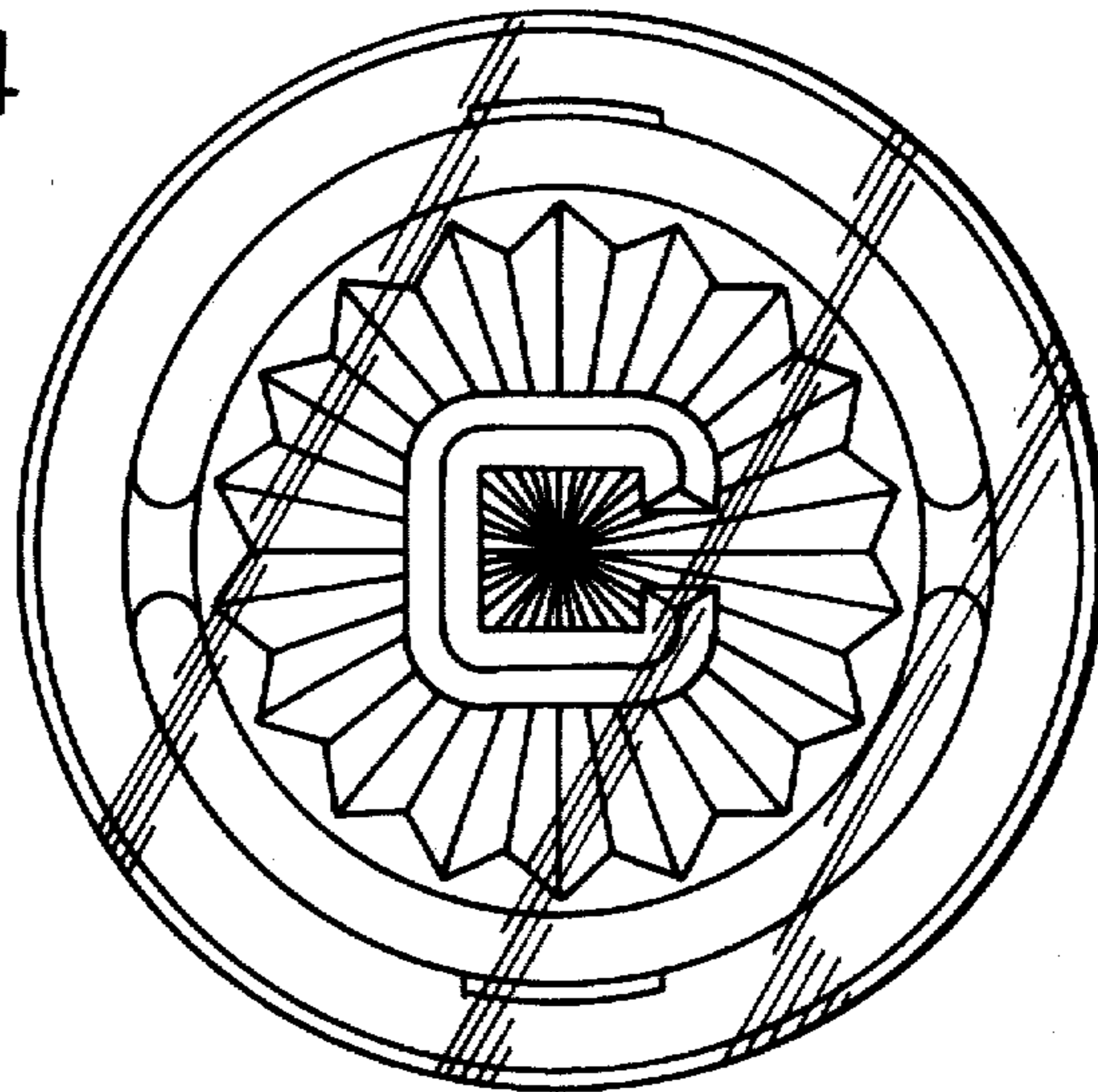


FIG. 5

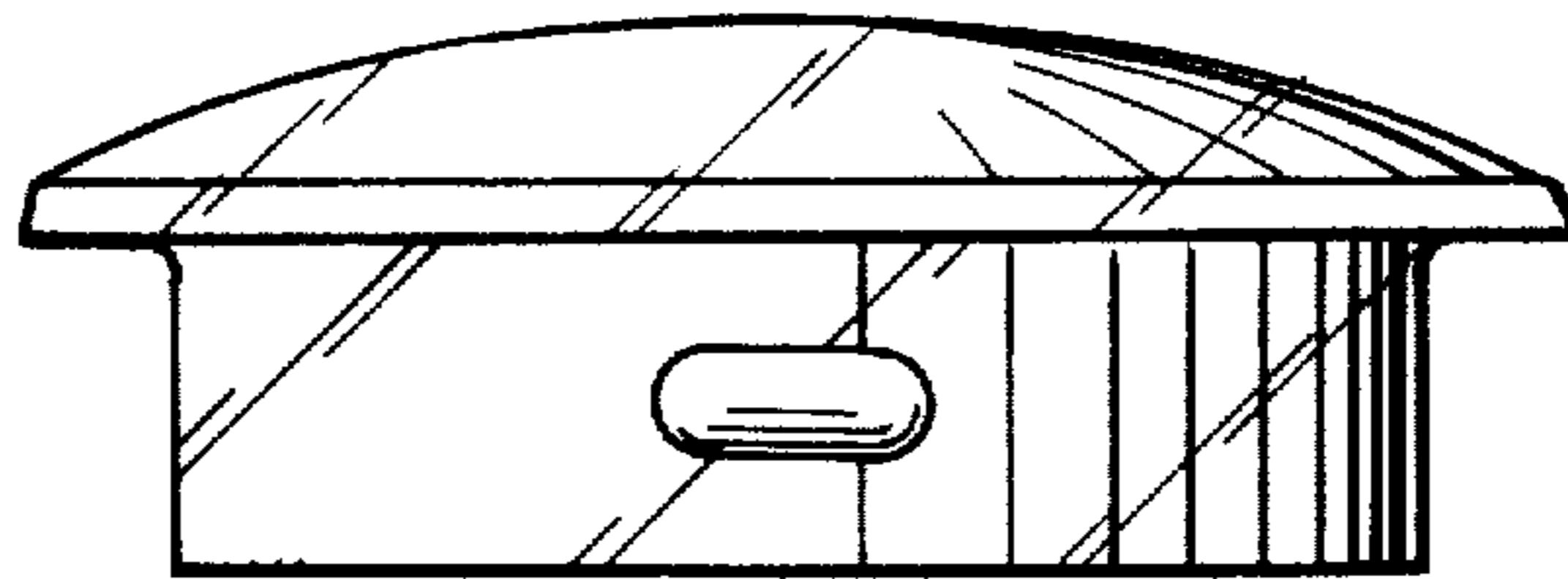


FIG. 6

