

[54] REEL FOR FISHING OR THE LIKE

[75] Inventor: Seiji Myojo, Sakai, Japan

[73] Assignee: Shimano Kogyo Kabushiki Kaisha, Osaka, Japan

[**] Term: 14 Years

[21] Appl. No.: 259,028

[22] Filed: Apr. 30, 1981

[51] Int. Cl. D22-05

[52] U.S. Cl. D22/25

[58] Field of Search D22/25; 242/84.1 R, 242/84.2 R, 84.2 A

[56] References Cited

U.S. PATENT DOCUMENTS

D. 236,467 8/1975 Childre D22/25

D. 255,702 7/1980 Inuma D22/25
3,974,977 8/1976 Kamikawa 242/84.1 R

Primary Examiner—A. Hugo Word
Attorney, Agent, or Firm—Frishauf, Holtz, Goodman & Woodward

[57] CLAIM

The ornamental design for a reel for fishing, or the like, substantially as shown and described.

DESCRIPTION

FIG. 1 is a perspective view of a reel for fishing showing my new design;
FIG. 2 is a front elevational view thereof;
FIG. 3 is a rear elevational view thereof;
FIG. 4 is a right side elevational view thereof;
FIG. 5 is a left side elevational view thereof;
FIG. 6 is a top plan view thereof; and
FIG. 7 is a bottom plan view thereof.

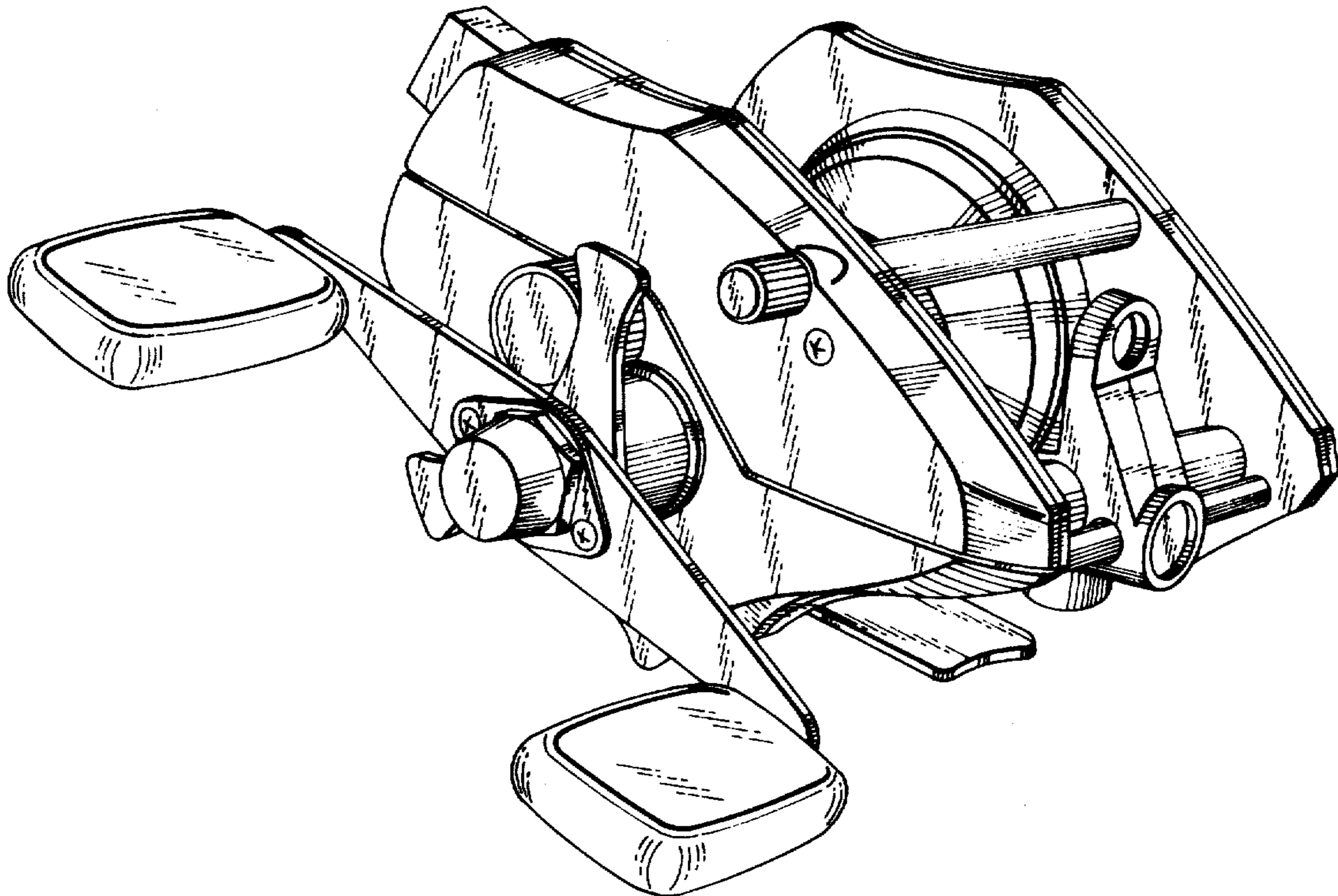


FIG. 1

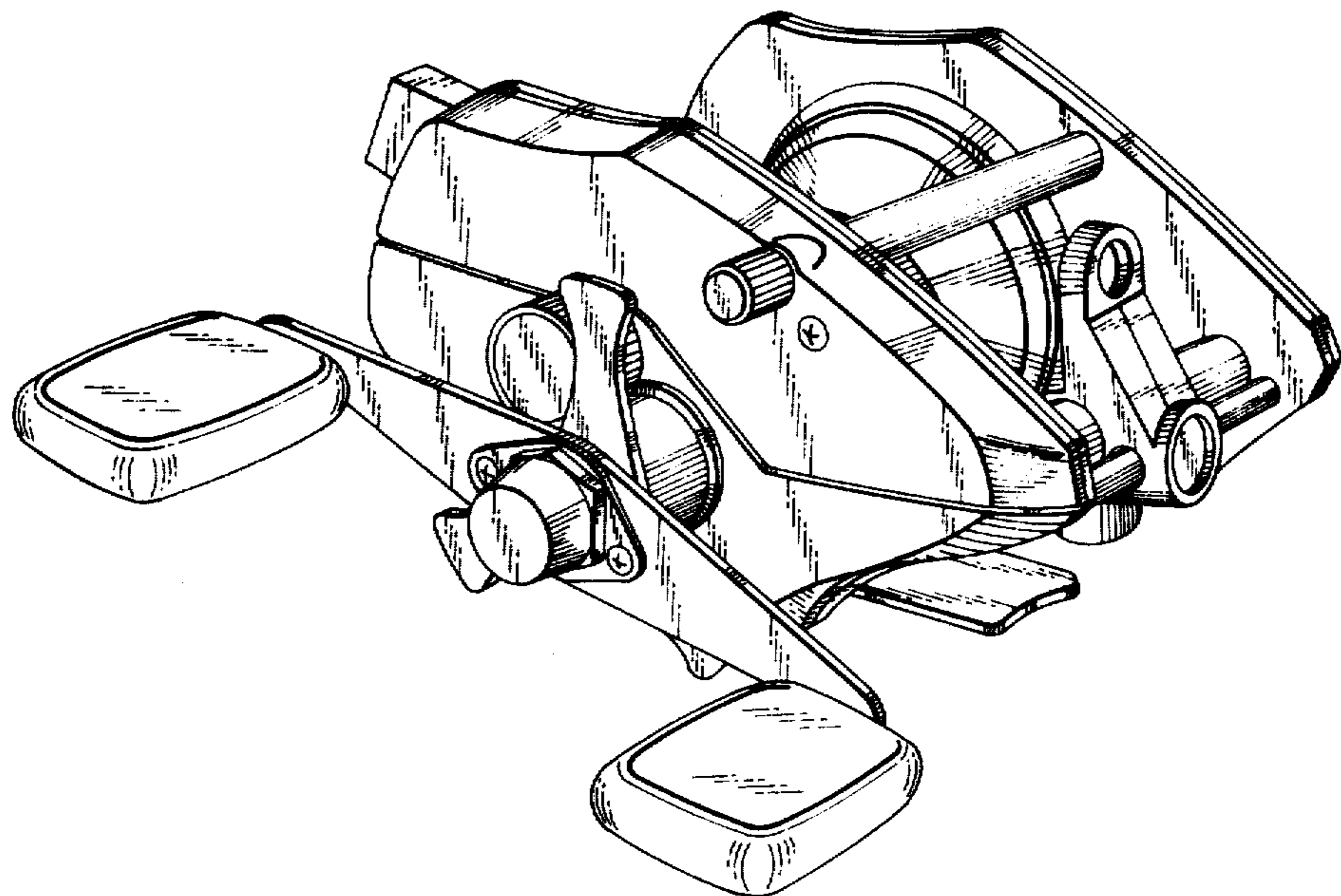


FIG. 2

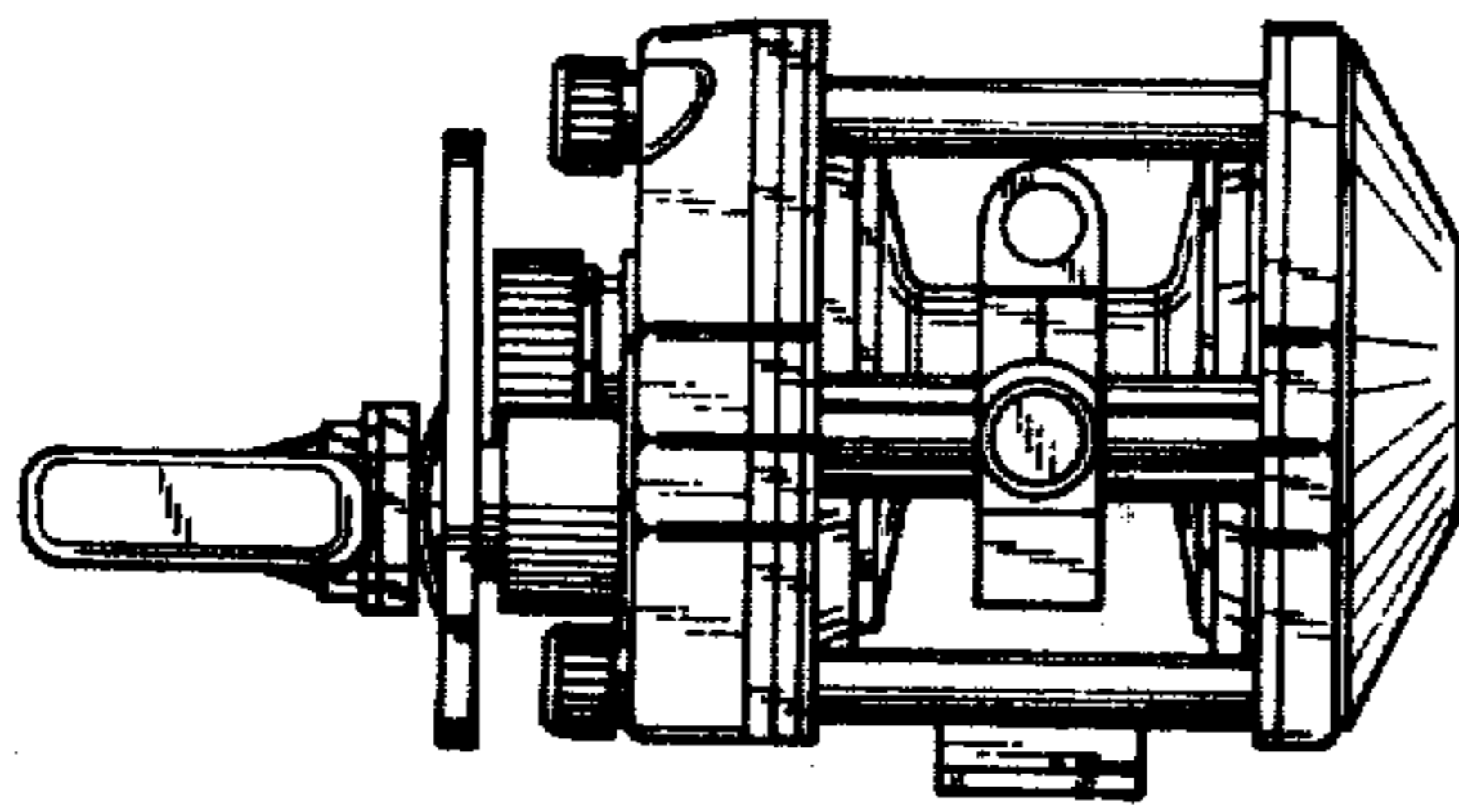


FIG. 3

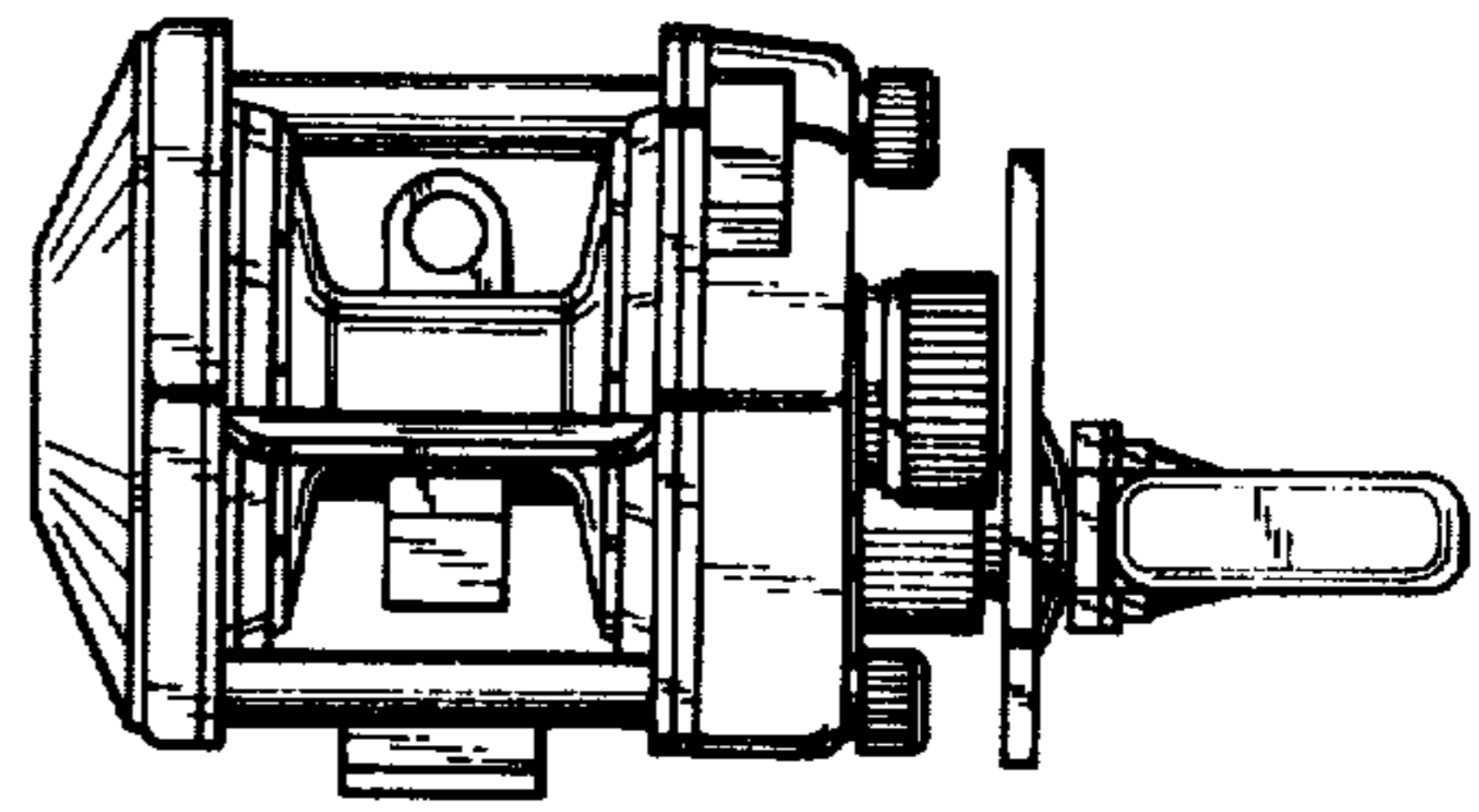


FIG. 4

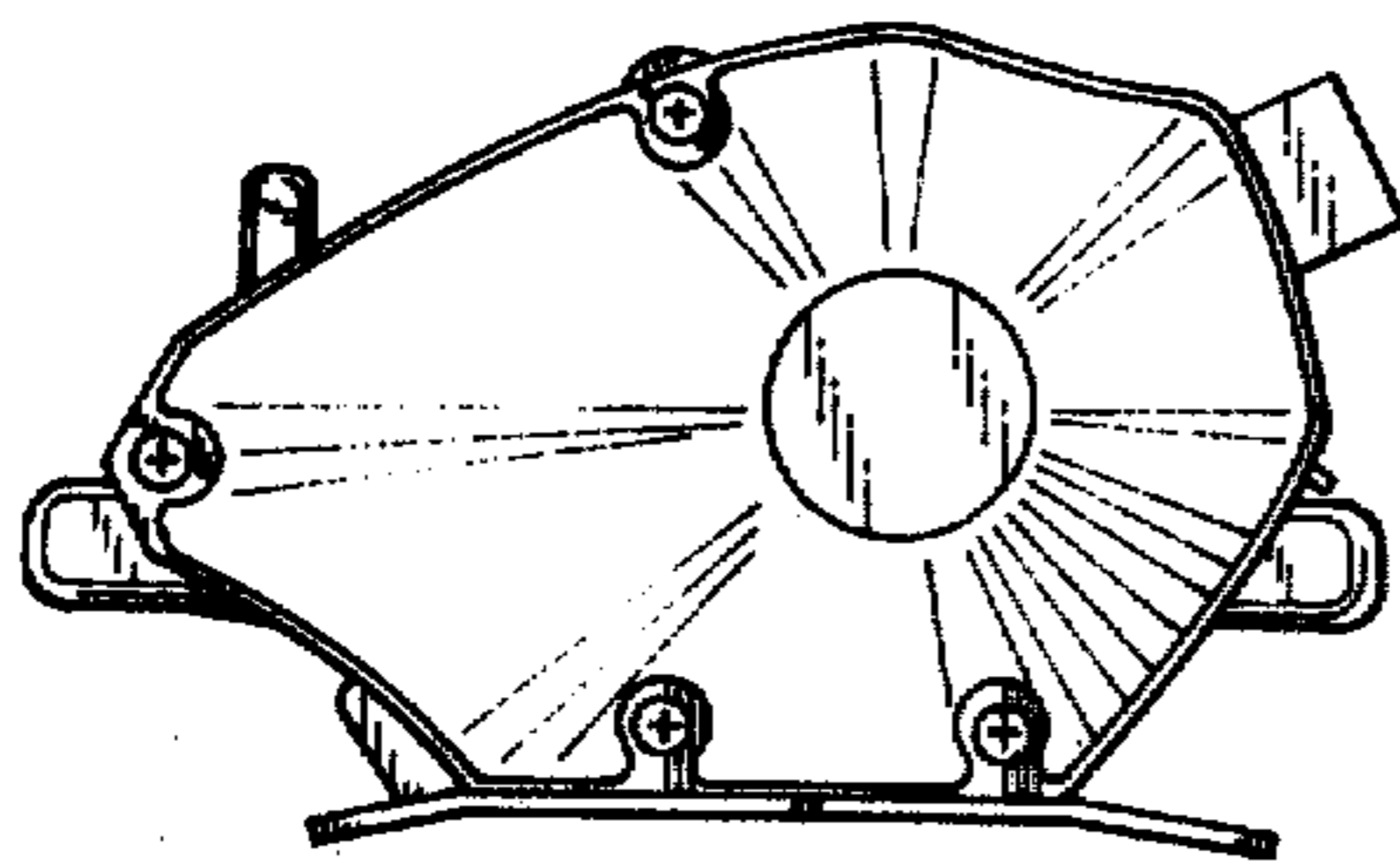


FIG. 5

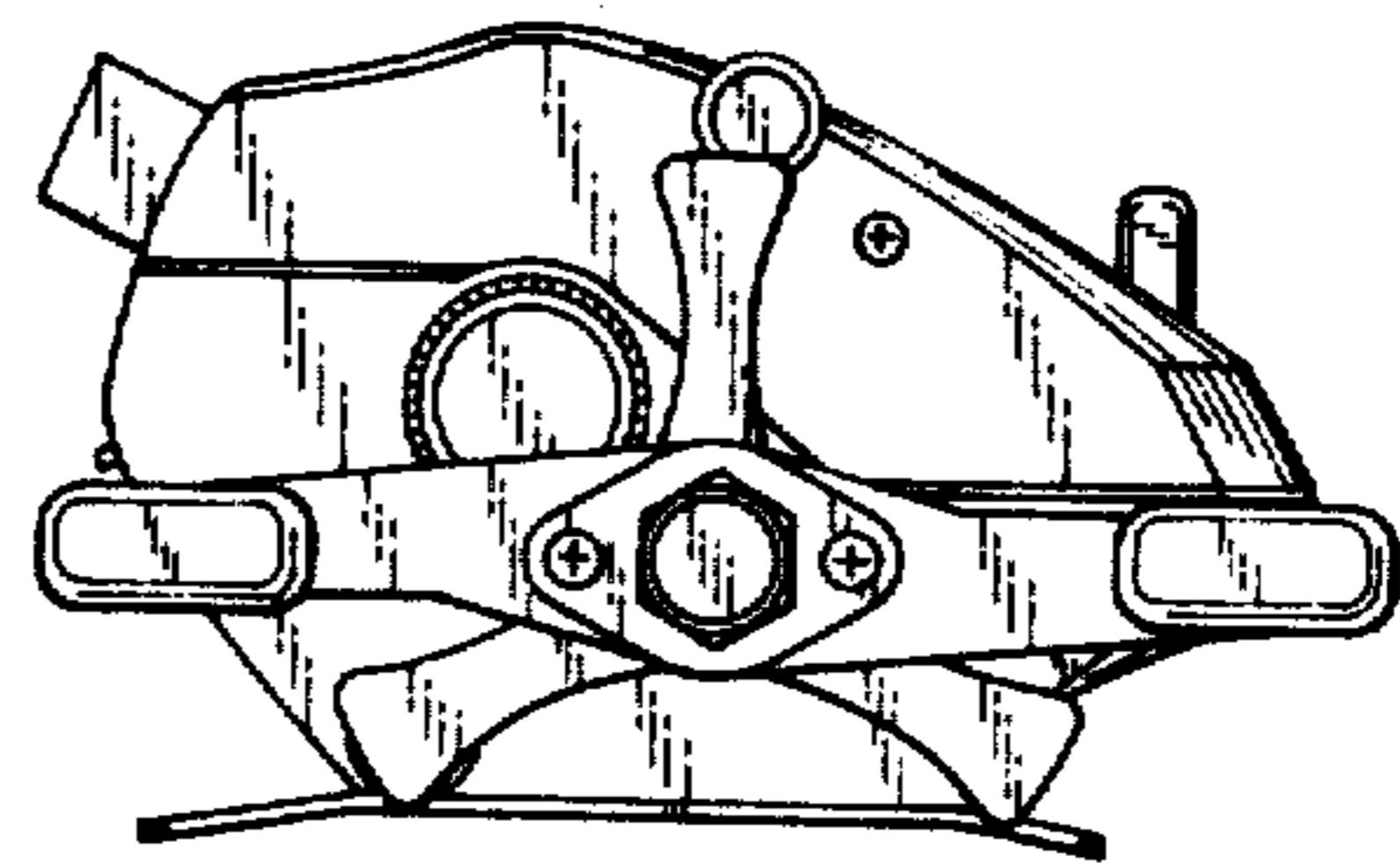


FIG. 6

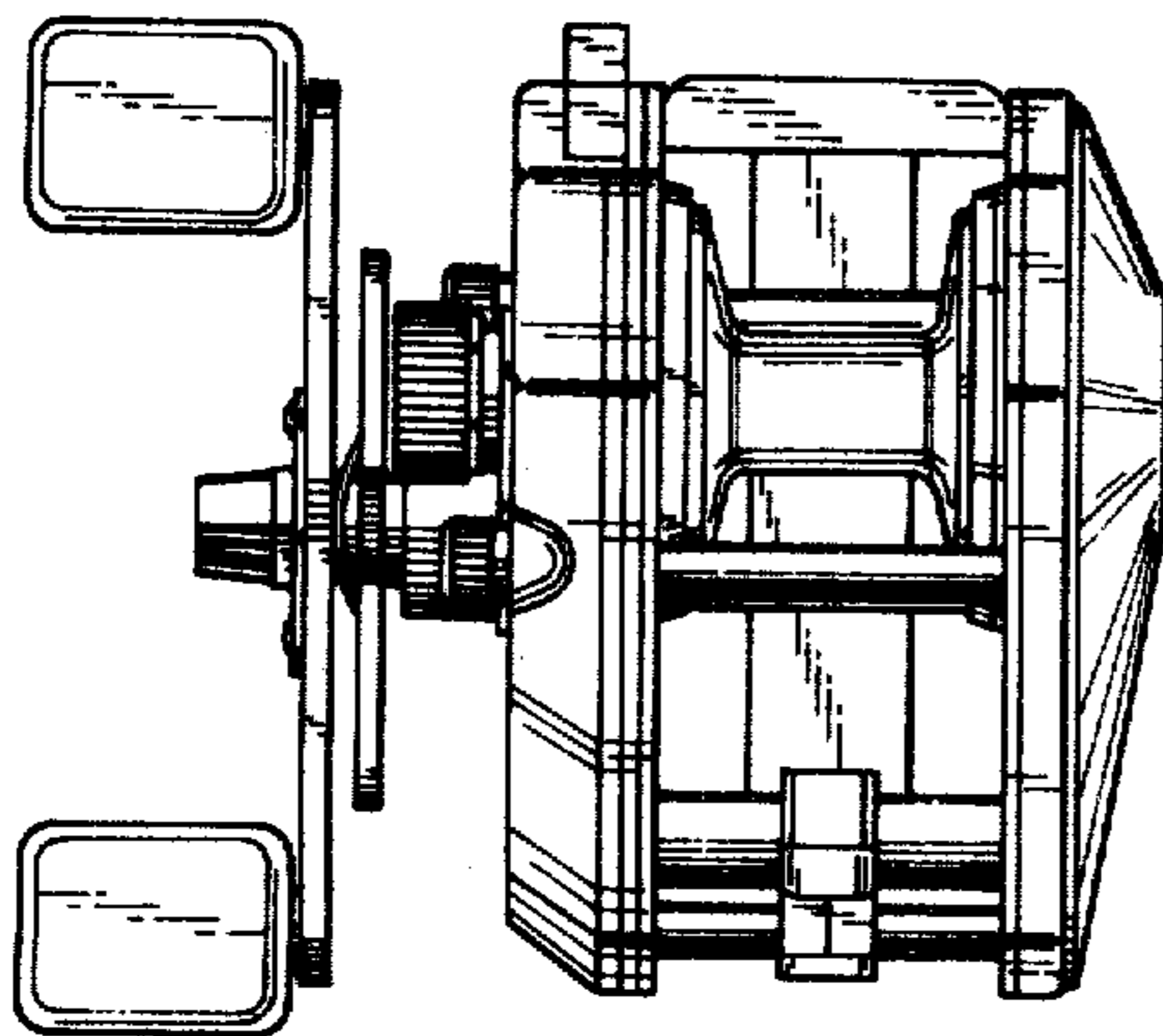


FIG. 7

