

[54] ELECTRONIC GAME CASING

[76] Inventor: Per O. Hoel, 11 Hesperus Cir.,
Magnolia, Mass. 01930

[**] Term: 14 Years

[21] Appl. No.: 232,978

[22] Filed: Feb. 9, 1981

[51] Int. Cl. D21-01
[52] U.S. Cl. D21/13
[58] Field of Search D21/13, 32; 273/237,
273/1 E, 138 A, DIG. 28, 85 G; D18/7

[56] References Cited

U.S. PATENT DOCUMENTS

D. 253,786 12/1979 Montague D21/32
D. 262,464 12/1981 Vernon, Jr. D21/13

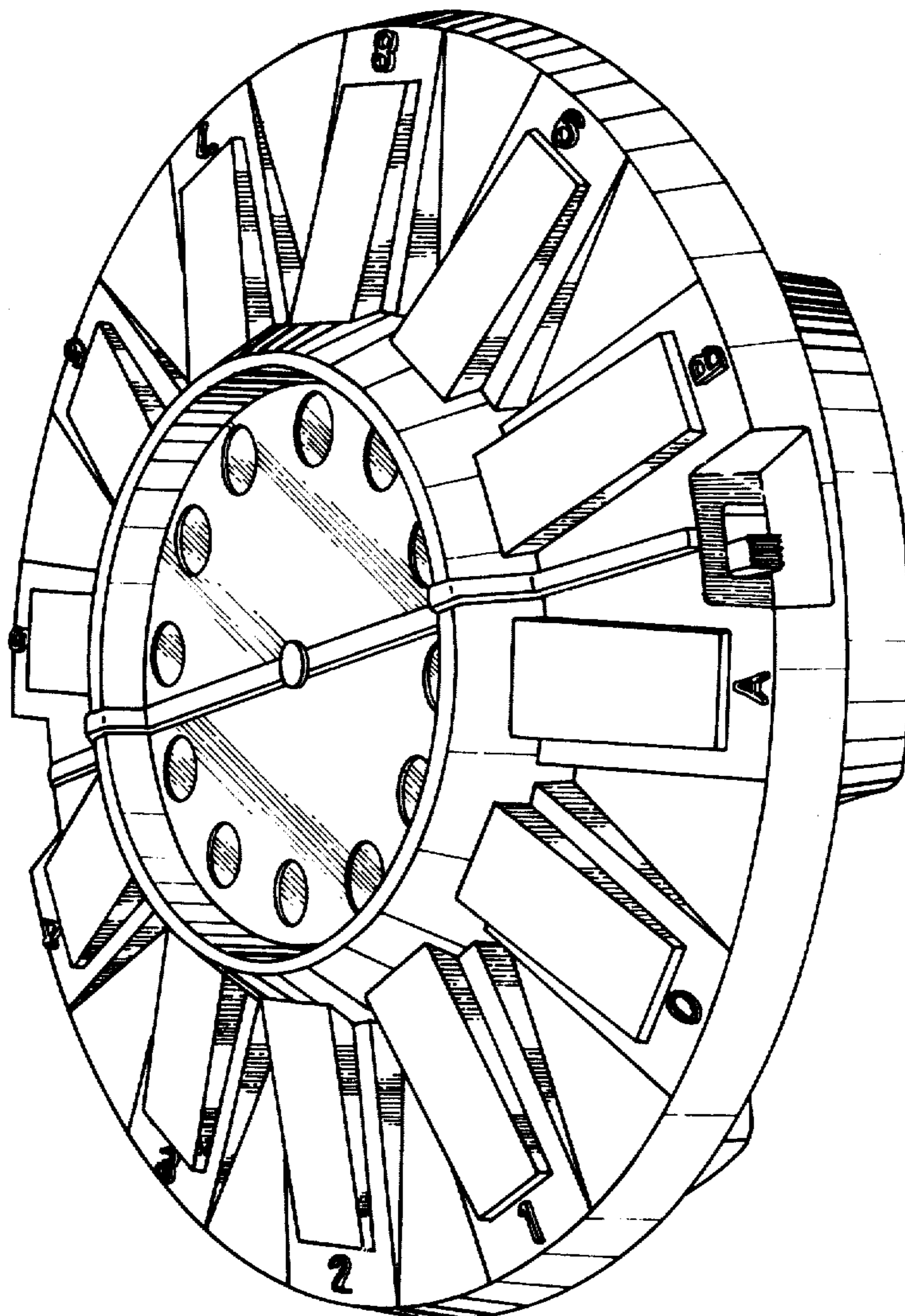
Primary Examiner—Melvin B. Feifer
Attorney, Agent, or Firm—L. McRoy Lillehaugen; Gene
O. Enockson

[57] CLAIM

The ornamental design for an electronic game casing,
substantially as shown.

DESCRIPTION

FIG. 1 is a perspective view of an electronic game casing illustrating a new design;
FIG. 2 is a top plan view thereof;
FIG. 3 is a side elevational view thereof;
FIG. 4 is a side elevational view thereof; and
FIG. 5 is a bottom plan view thereof.



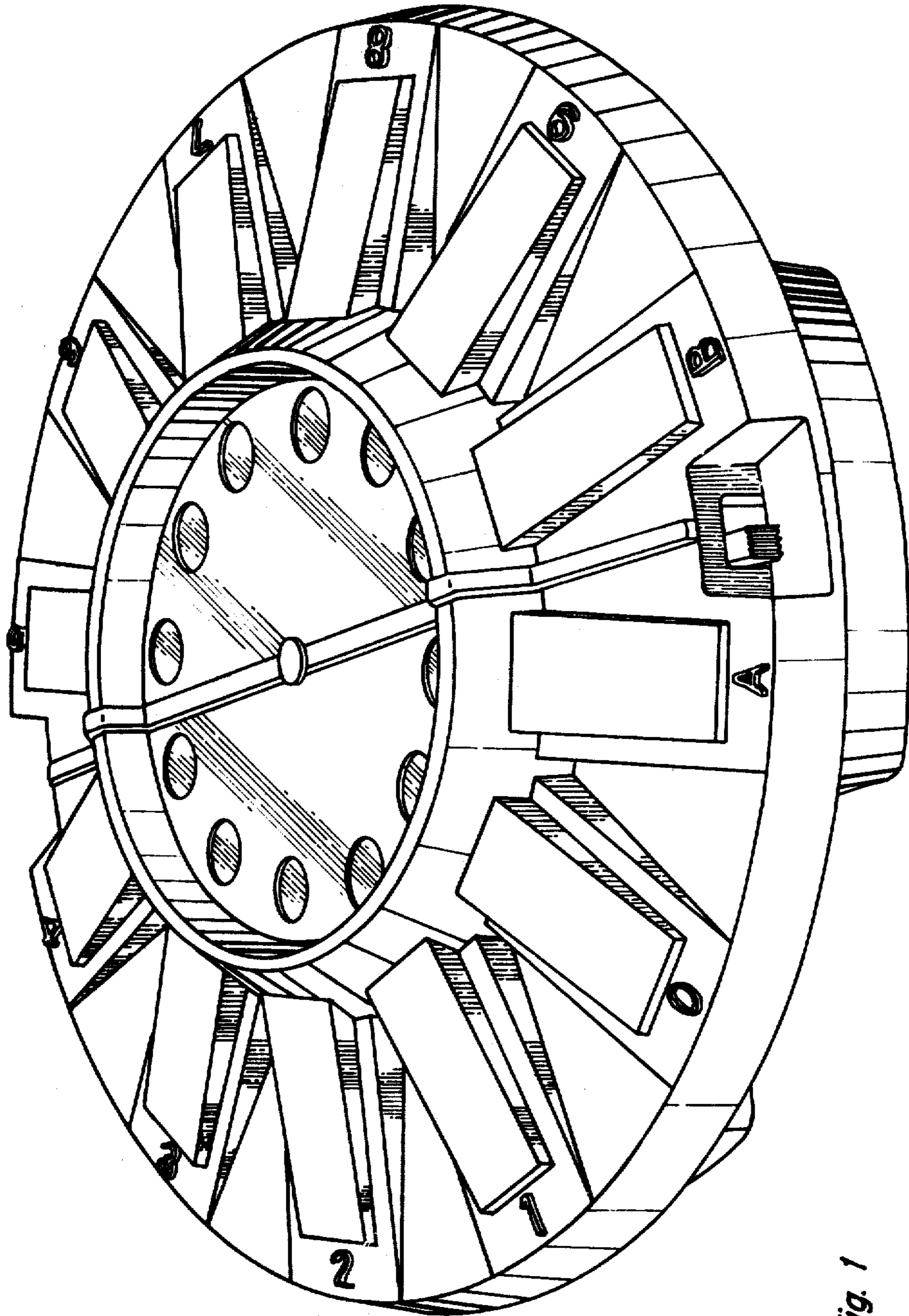


Fig. 1

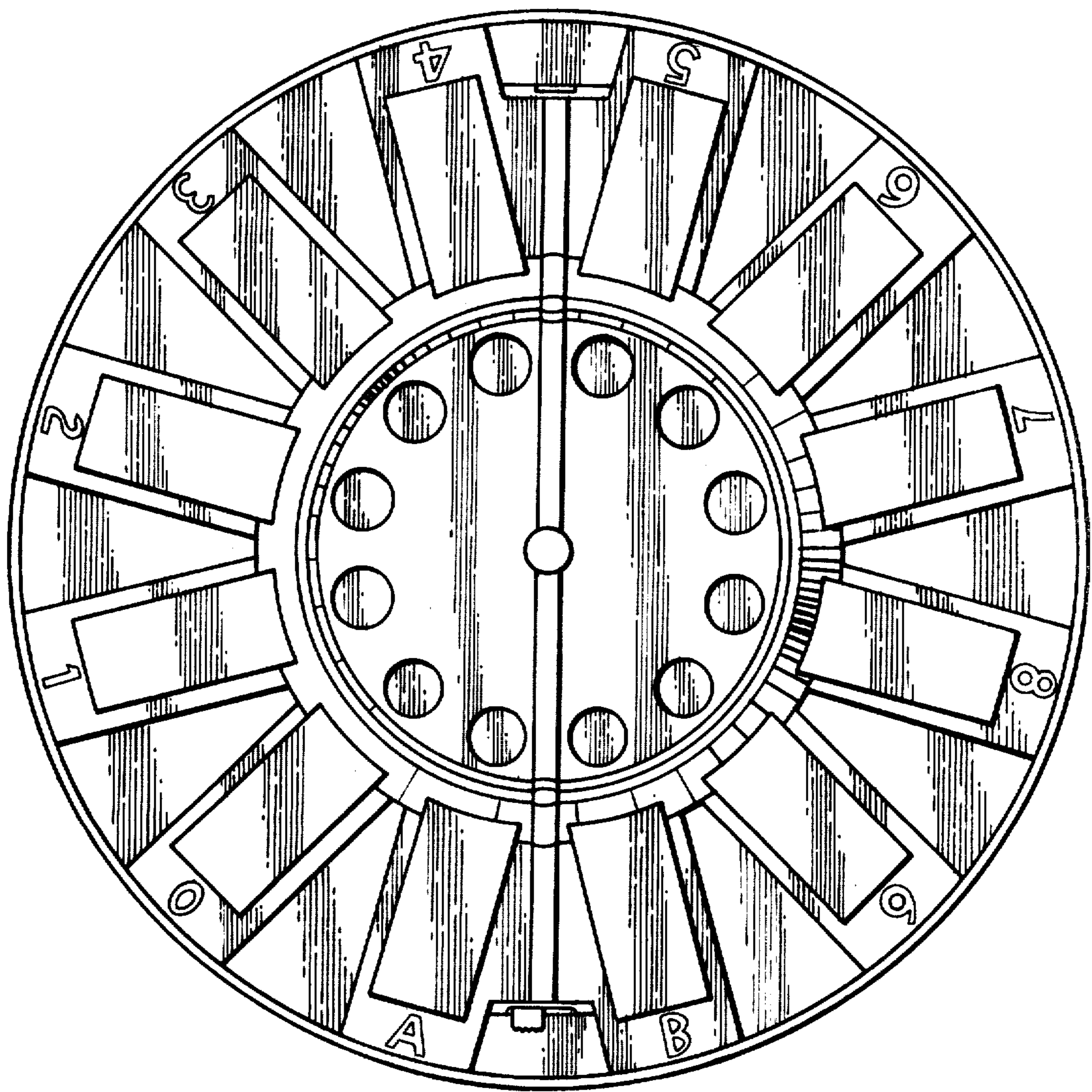


Fig. 2

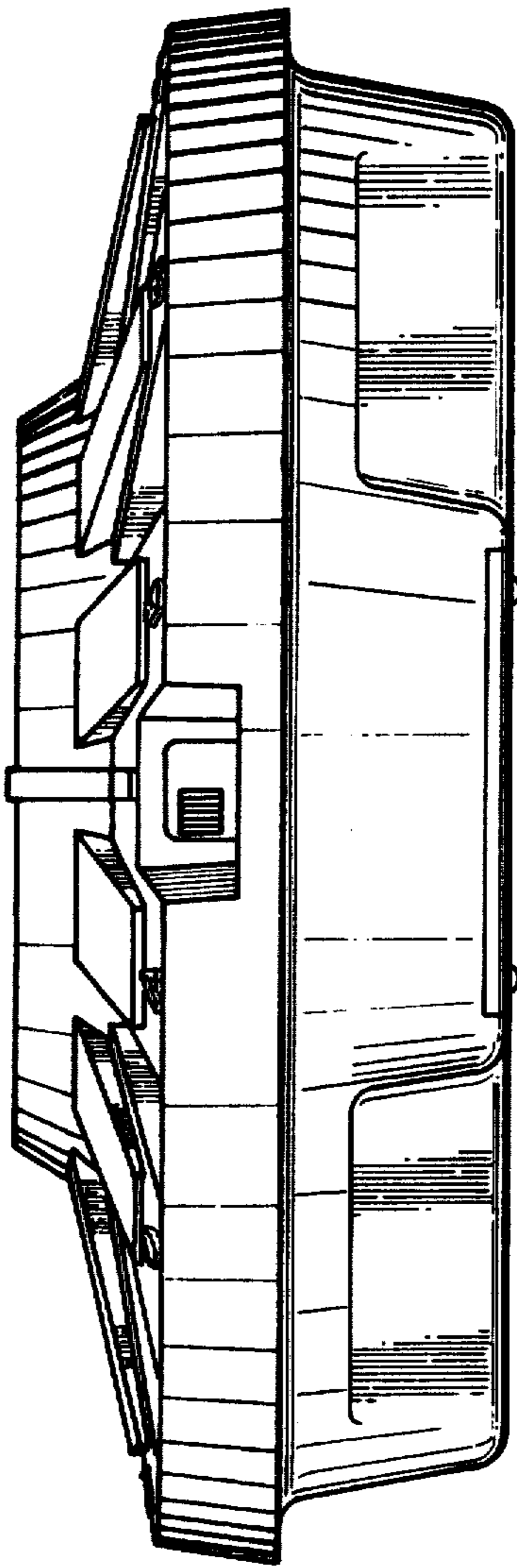


Fig. 3

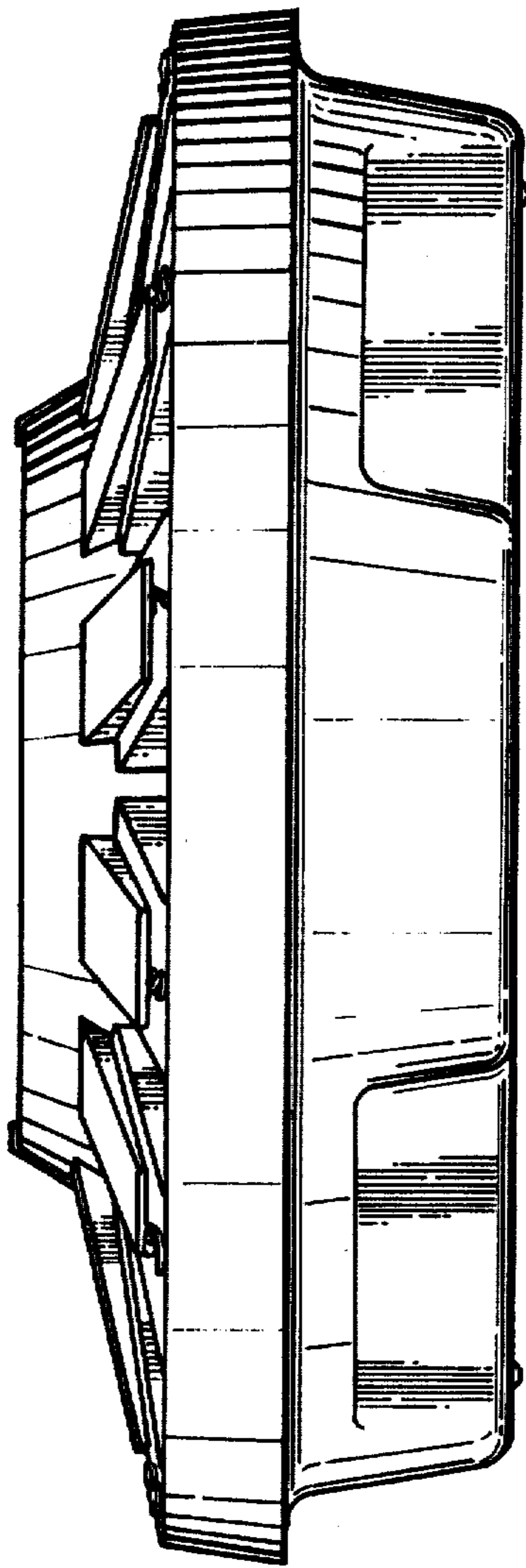


Fig. 4

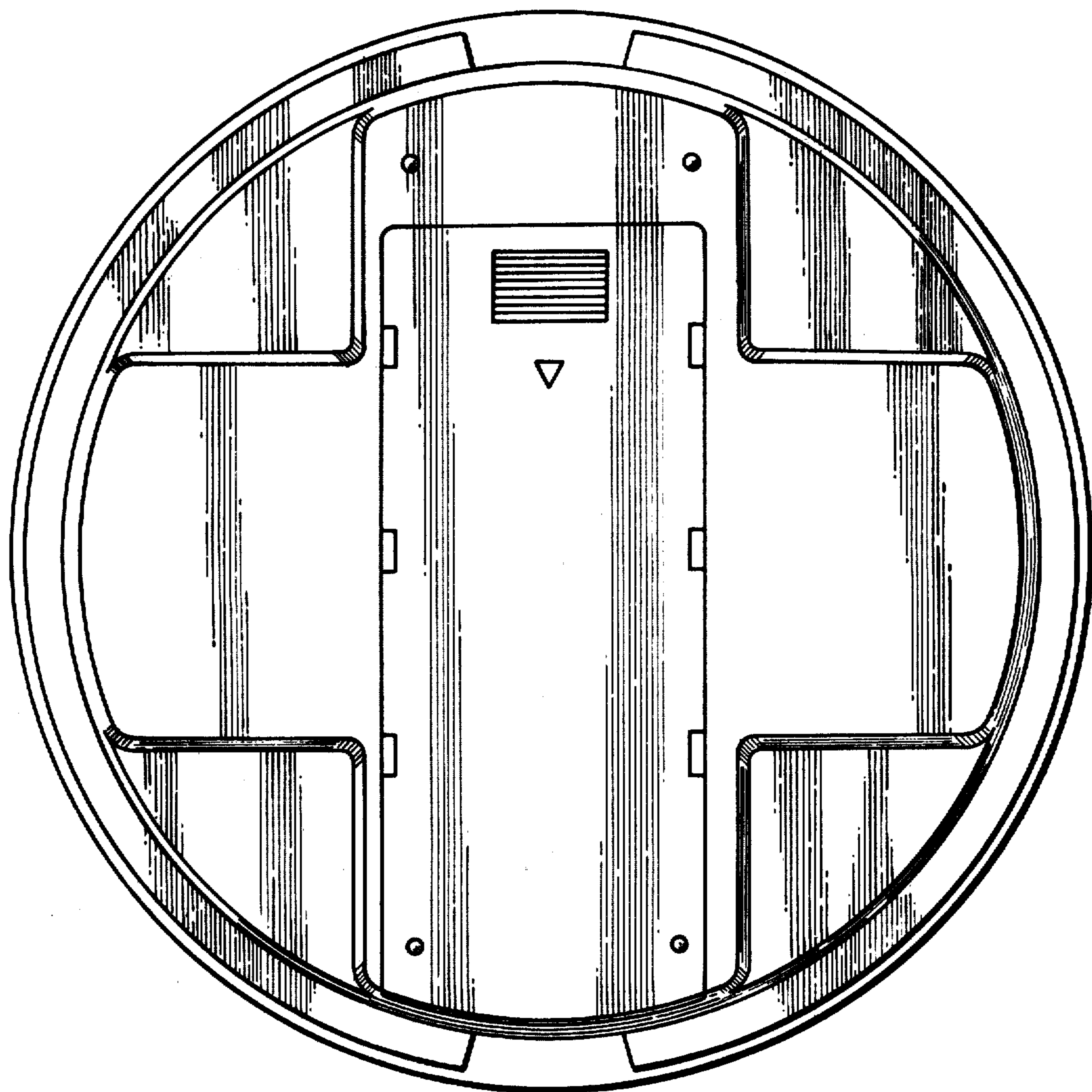


Fig. 5