

[54] FIELD MICROSCOPE

[75] Inventor: Kenichi Yokota, Tokyo, Japan

[73] Assignee: Swift Instruments, Inc., Boston, Mass.

[**] Term: 14 Years

[21] Appl. No.: 174,636

[22] Filed: Aug. 1, 1980

[51] Int. Cl. D16-06

[52] U.S. Cl. D16/131

[58] Field of Search D16/131; 350/84, 85, 350/86, 87, 81, 255

[56] References Cited

U.S. PATENT DOCUMENTS

D. 198,938	8/1964	Kent	D16/131
D. 215,889	11/1969	Suzuki	D16/131
D. 243,601	3/1977	Leeming, Sr. et al.	D16/131

OTHER PUBLICATIONS

Sargent-Welch Scientific Laboratory Instruments, ©1979, p. 875, Dissecting Microscope, Item #S-559-00-10.

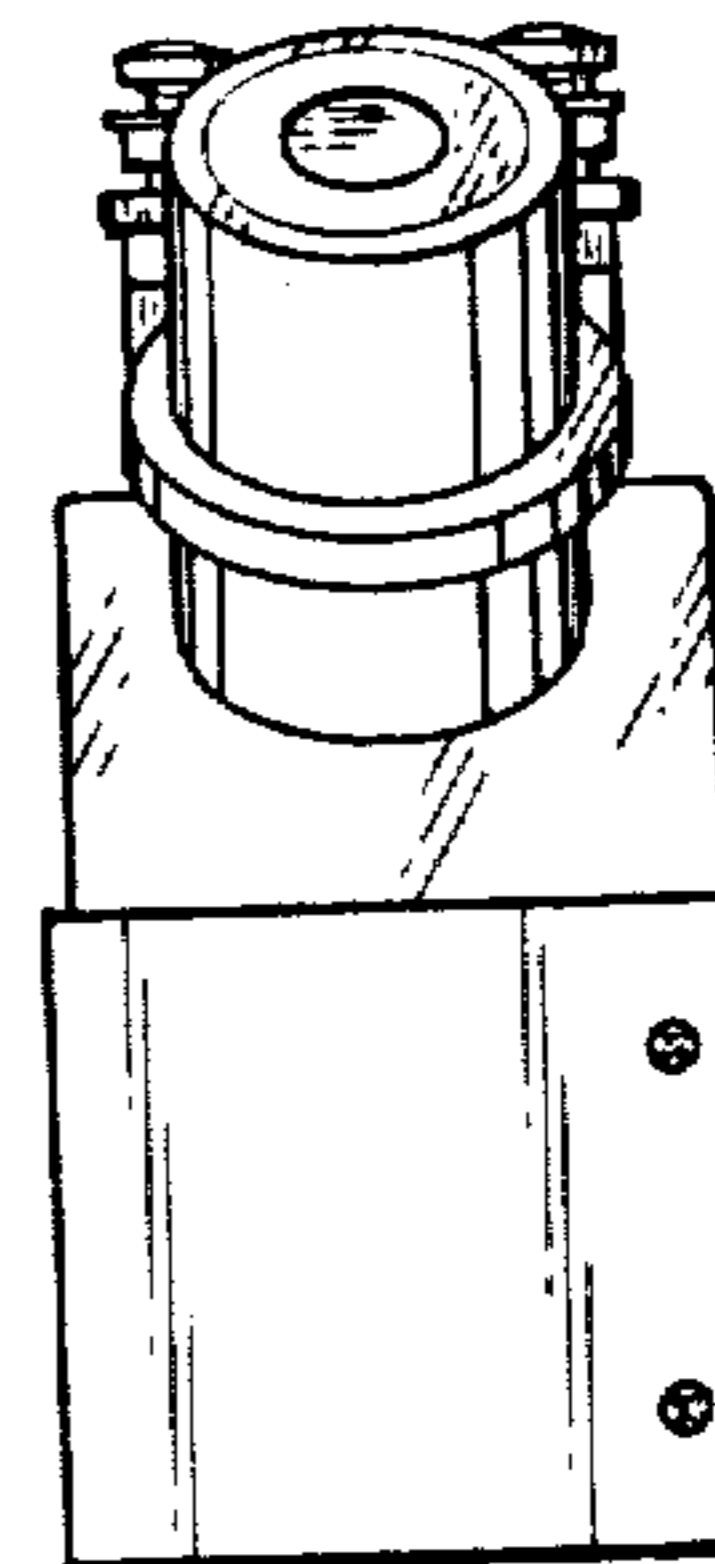
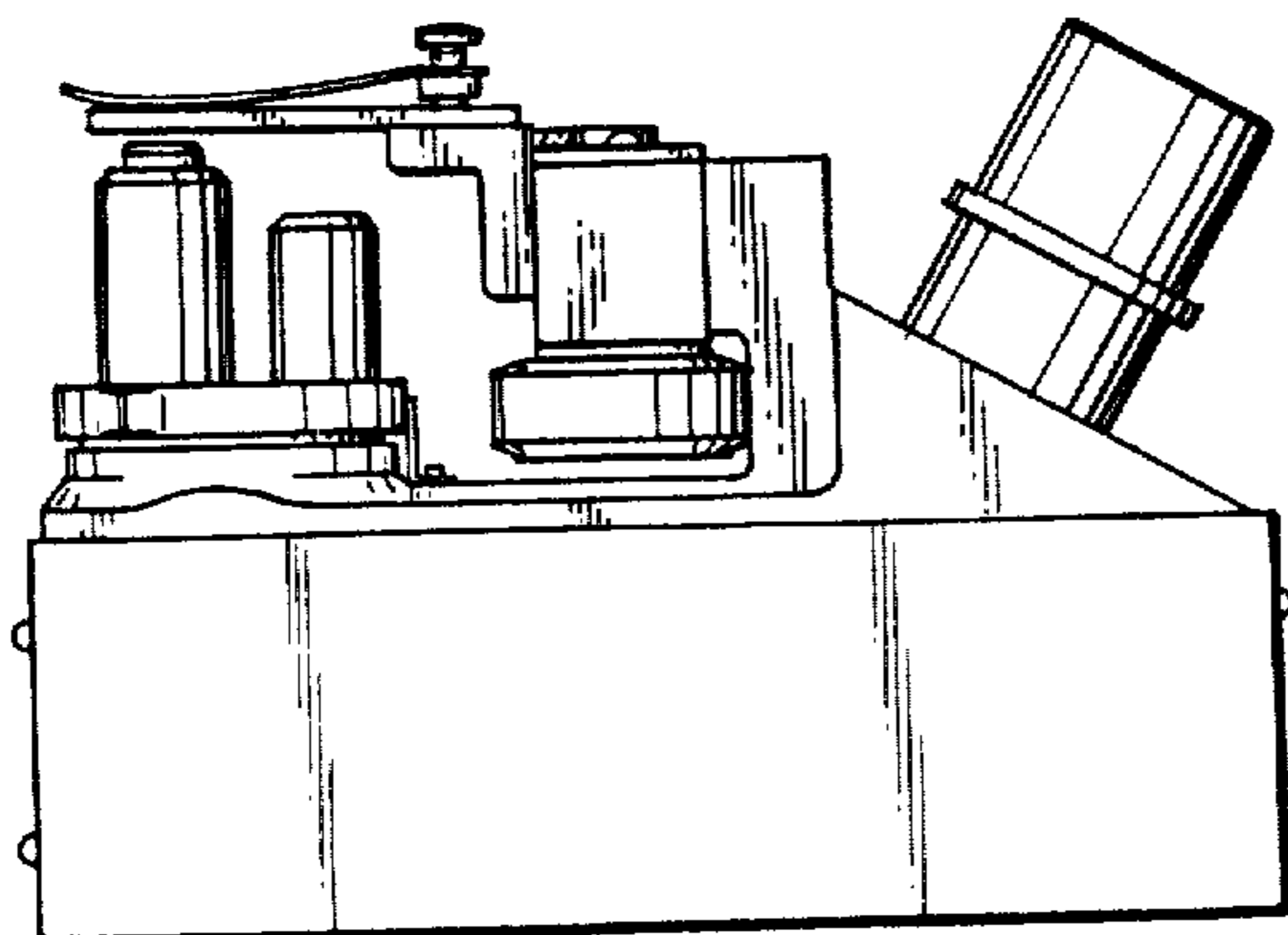
Primary Examiner—Bernard Ansher
Attorney, Agent, or Firm—W. R. Hulbert

[57] CLAIM

The ornamental design for a field microscope, as shown.

DESCRIPTION

FIG. 1 is a front elevation of a field microscope showing my new design;
FIG. 2 is an elevation of the right end of the microscope as seen in FIG. 1;
FIG. 3 is a rear elevation thereof;
FIG. 4 is an elevation of the left end thereof as seen in FIG. 1;
FIG. 5 is a top plan view thereof; and
FIG. 6 is a bottom plan view thereof.



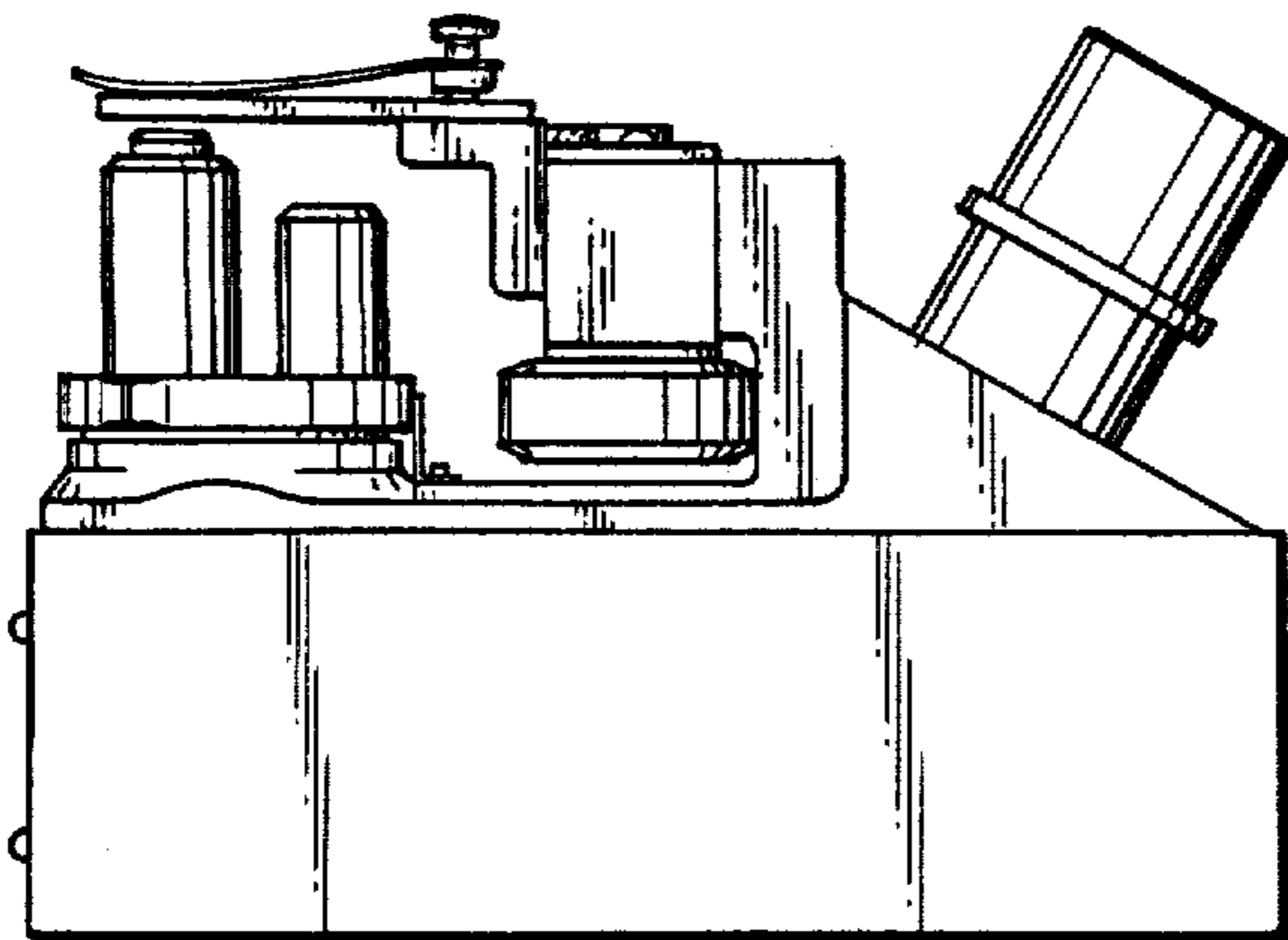


FIG. 1

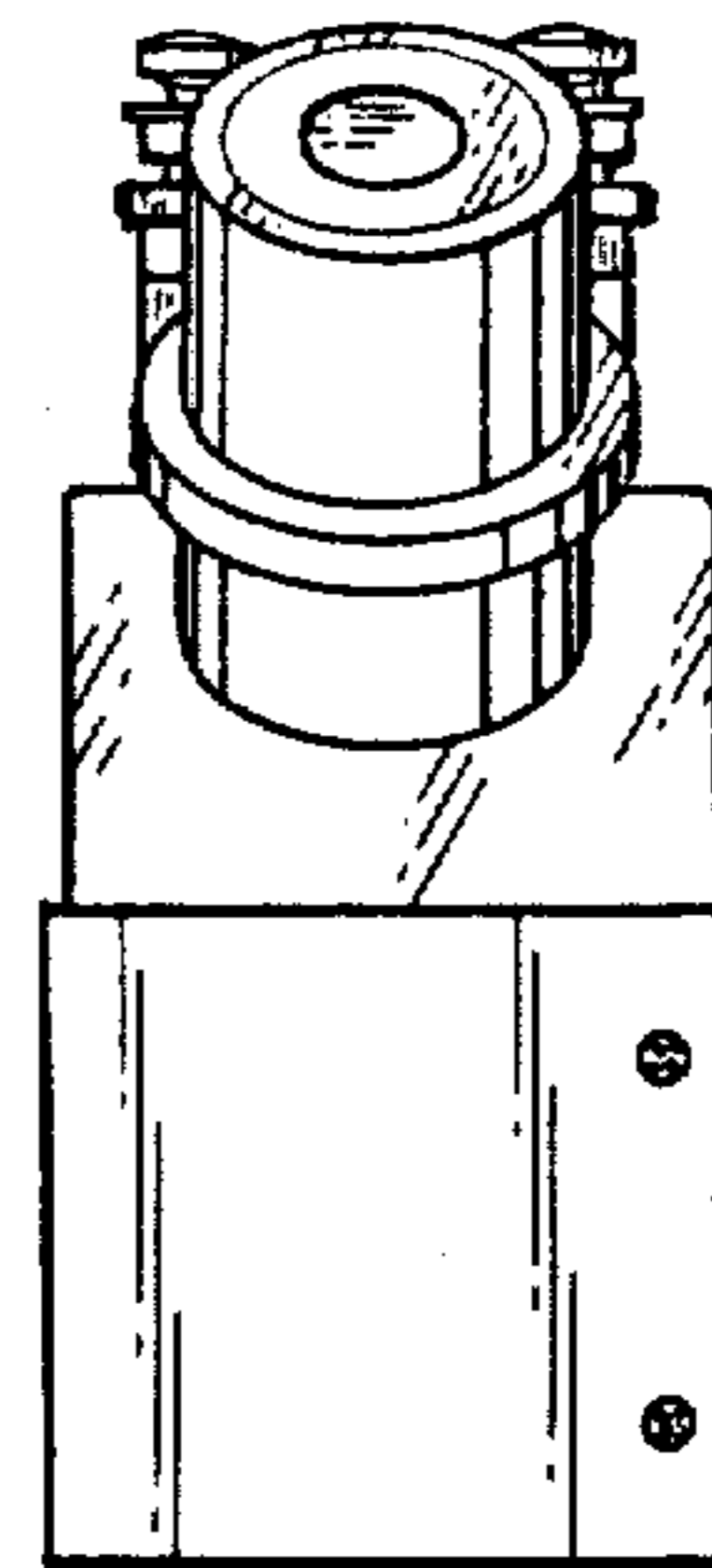


FIG. 2

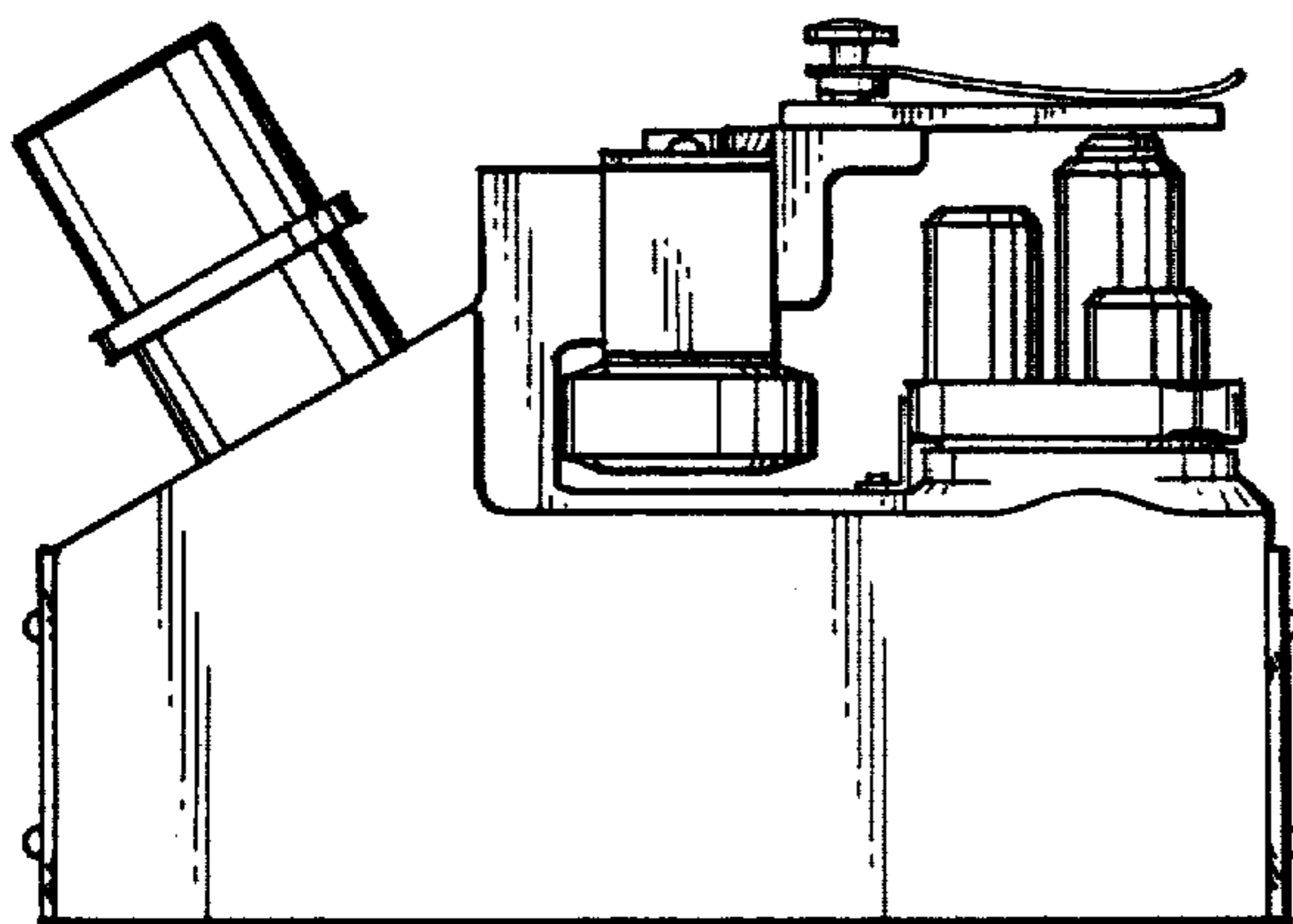


FIG. 3

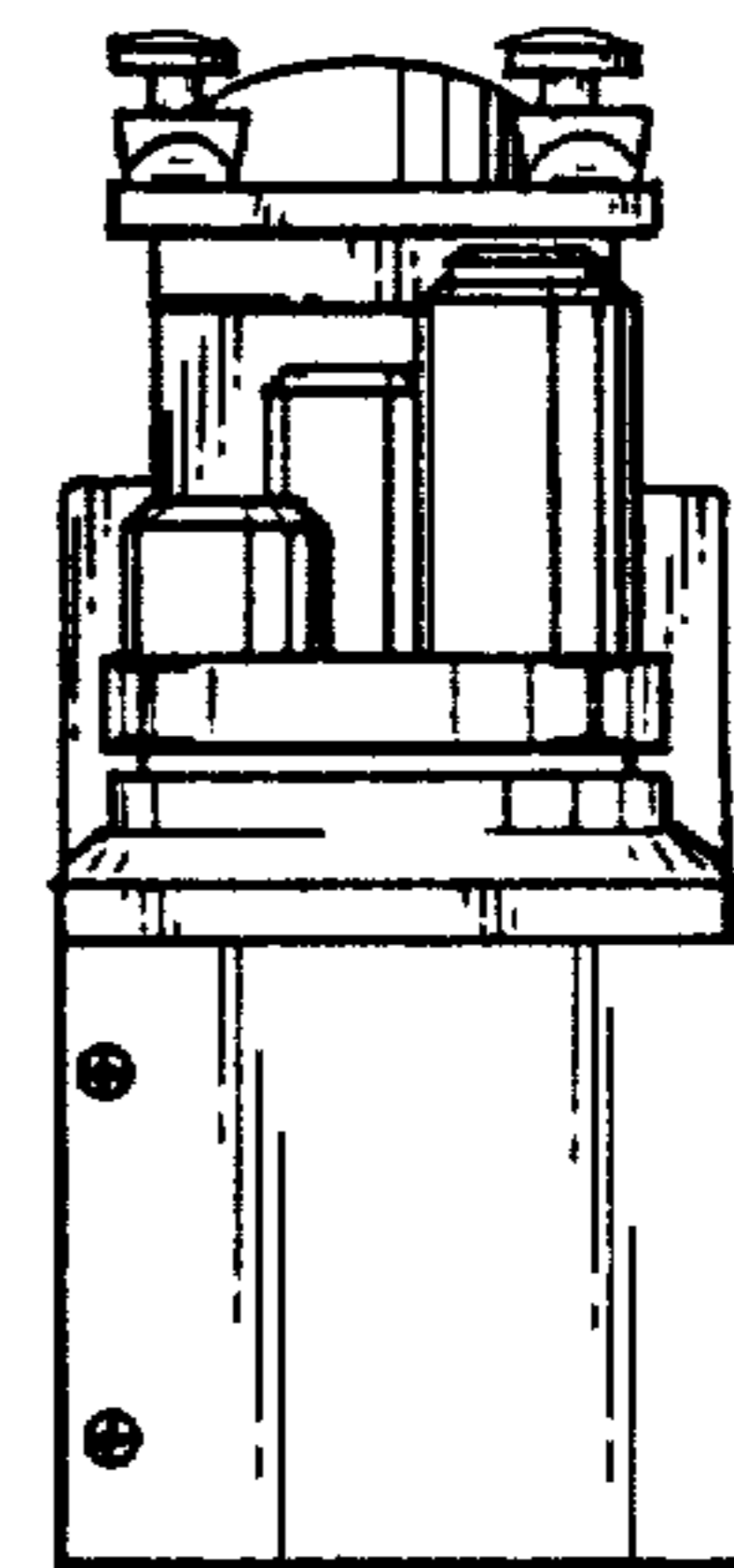


FIG. 4

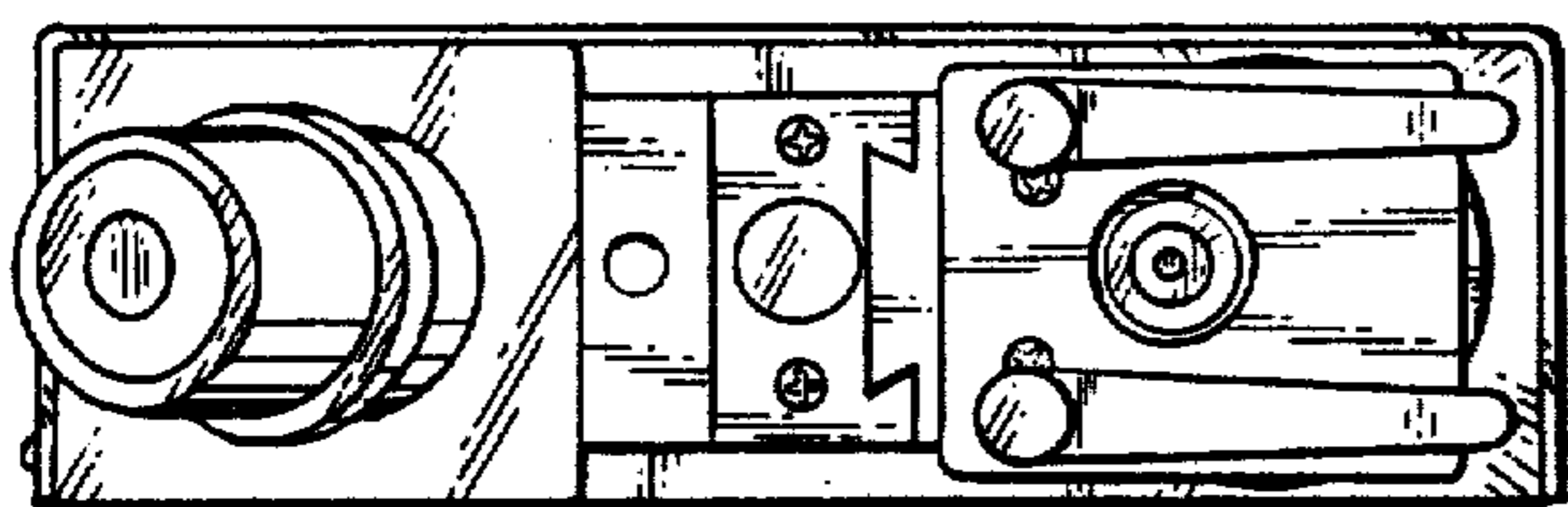


FIG. 5

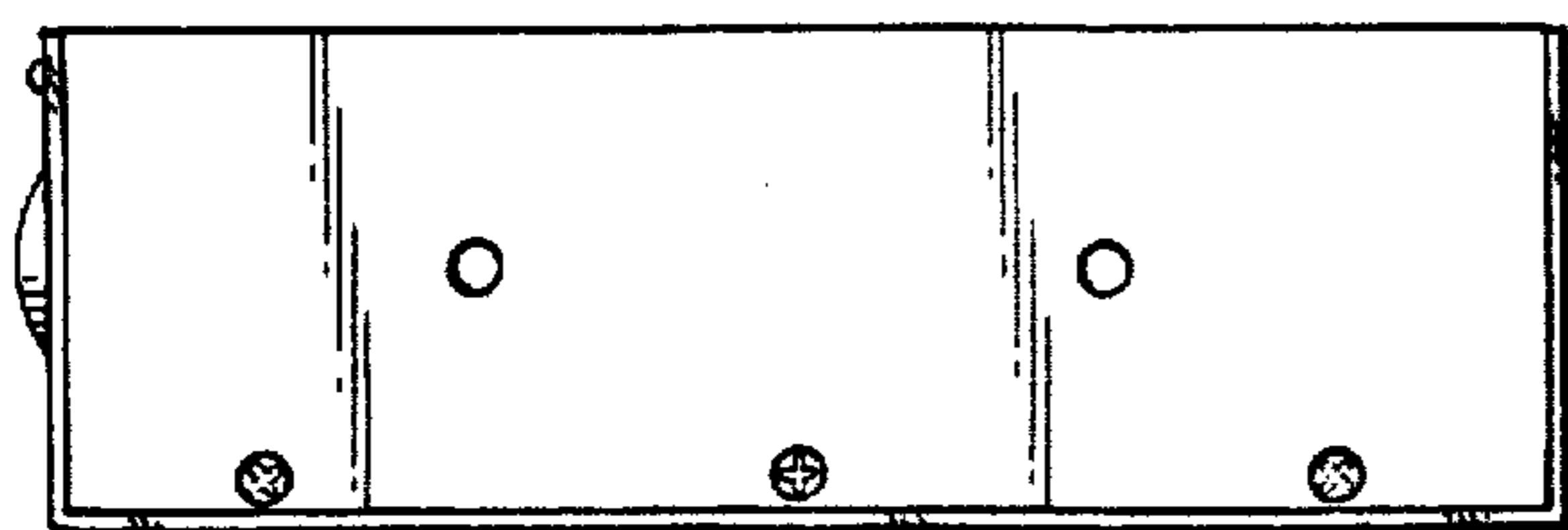


FIG. 6