

[54] VARIABLE CABLE CONNECTOR  
INTERFACE FOR DATA PROCESSING  
EQUIPMENT

[75] Inventors: Hans O. Johansson, Lidingö; Hans  
G. Nilsson, Solna; Louis Jernberg,  
Nacka, all of Sweden

[73] Assignee: Svea Data Communication &  
Computer Aktiebolag, Solna, Sweden

[\*\*] Term: 3½ Years

[21] Appl. No.: 79,920

[22] Filed: Sep. 28, 1979

[30] Foreign Application Priority Data

Mar. 28, 1979 [SE] Sweden ..... 798/79

[51] Int. Cl. .... D13—03; D14—01

[52] U.S. Cl. .... D13/24; D14/114

[58] Field of Search ..... D13/12, 13, 24, 99,  
D13/40, 41, 32; 361/331, 334, 380, 381, 383,  
390; 339/17 R, 17 M, 17 CF, 18 R, 166

[56] References Cited

U.S. PATENT DOCUMENTS

4,050,755 9/1977 Hasircoglu ..... 339/17 CF

OTHER PUBLICATIONS

Amphenol "Min-Rac 17®", Series Connectors brochure, 1970, Fixed Contact Line Receptacle & Plug Unit.

Computer Design, 4-1978, p. 220, Switching Matrix Mainframe.

Primary Examiner—Susan J. Lucas

Attorney, Agent, or Firm—Blanchard, Flynn, Thiel,  
Boutell & Tanis

[57] CLAIM

The ornamental design for a variable cable connector interface for data processing equipment, as shown and described.

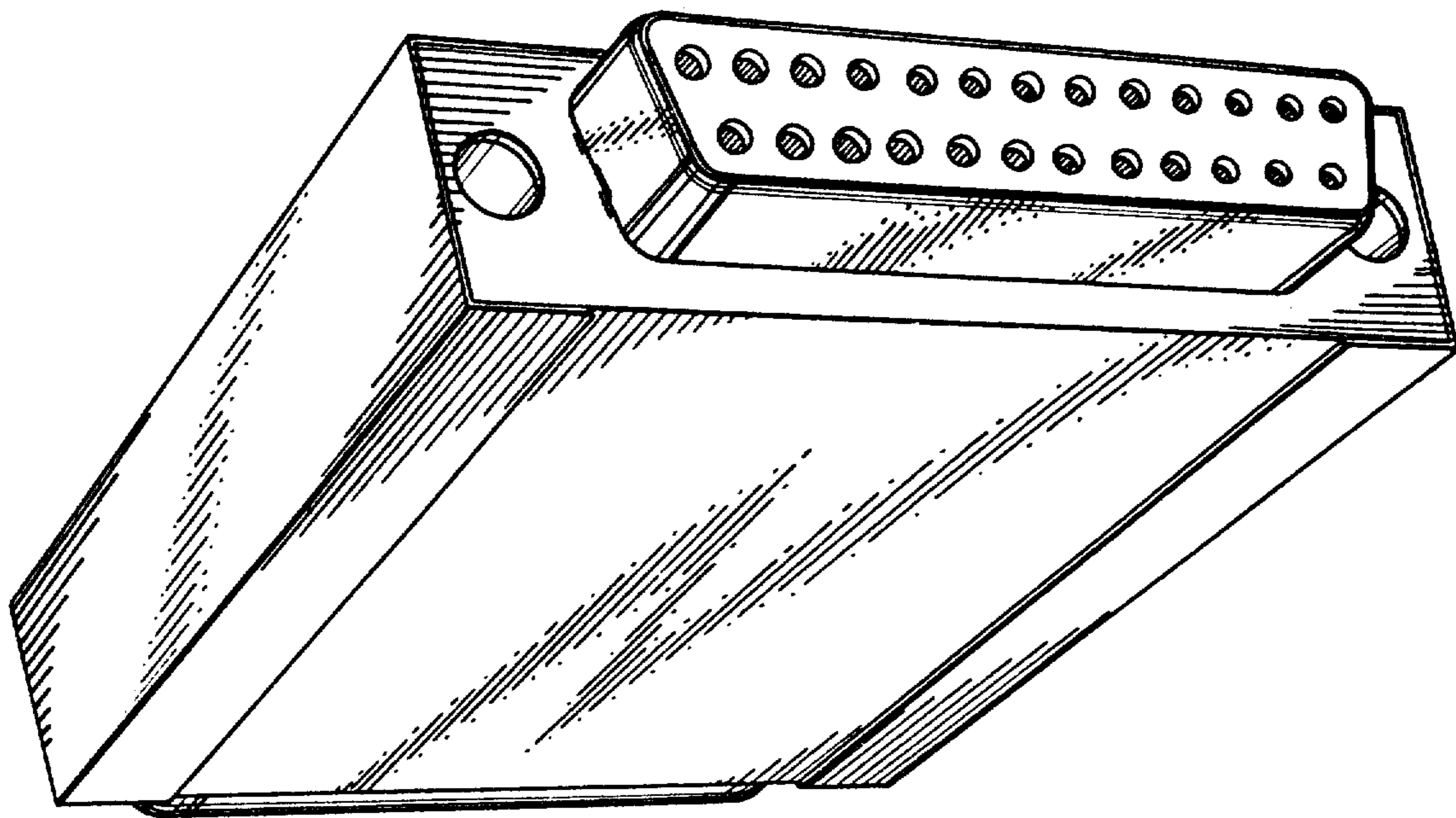
DESCRIPTION

FIG. 1 is a bottom perspective view of a variable cable connector interface for data processing equipment embodying my new design;

FIG. 2 is a top perspective view thereof;

FIG. 3 is a top view thereof; and

FIG. 4 is a side view thereof.



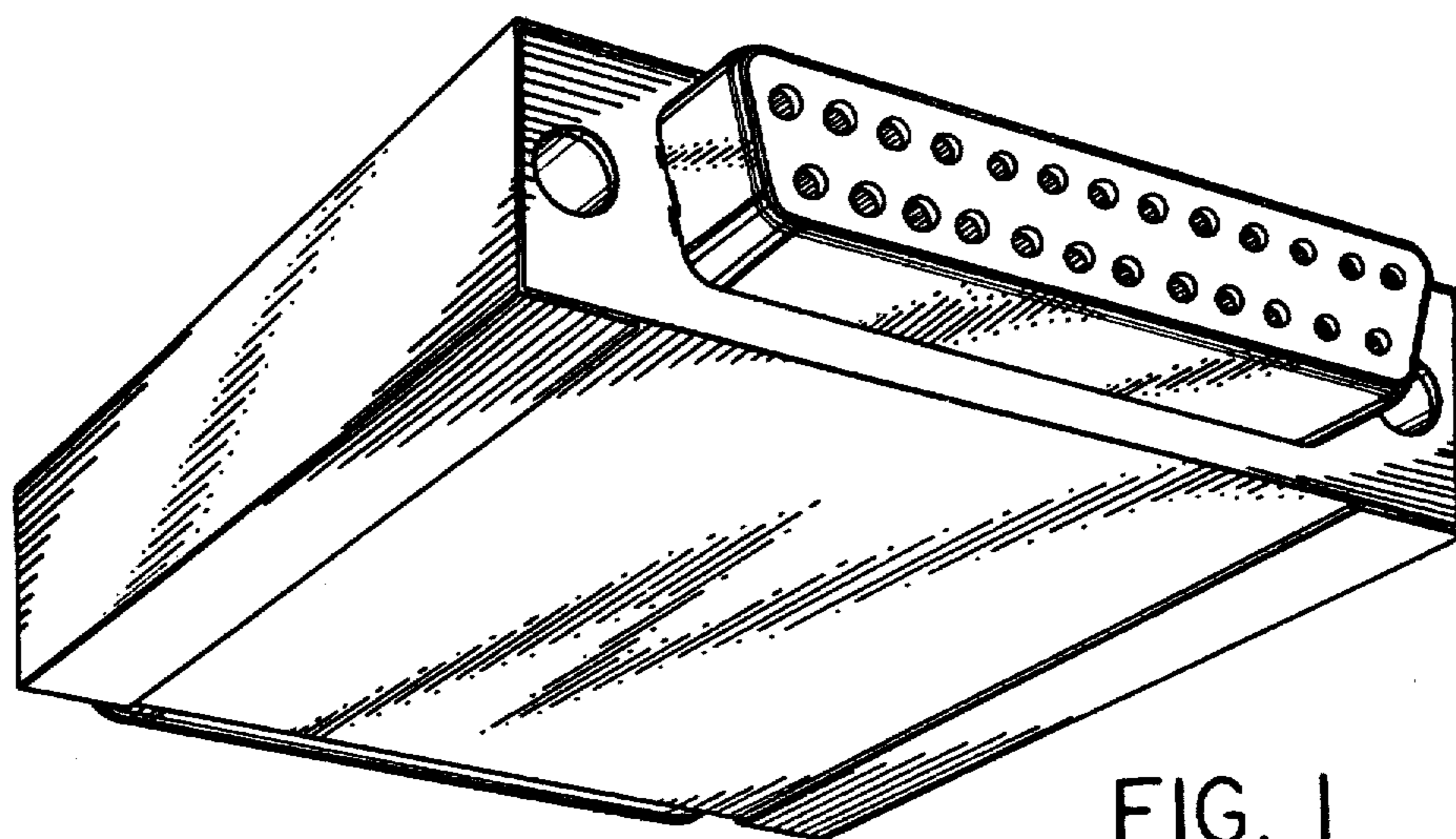


FIG. 1

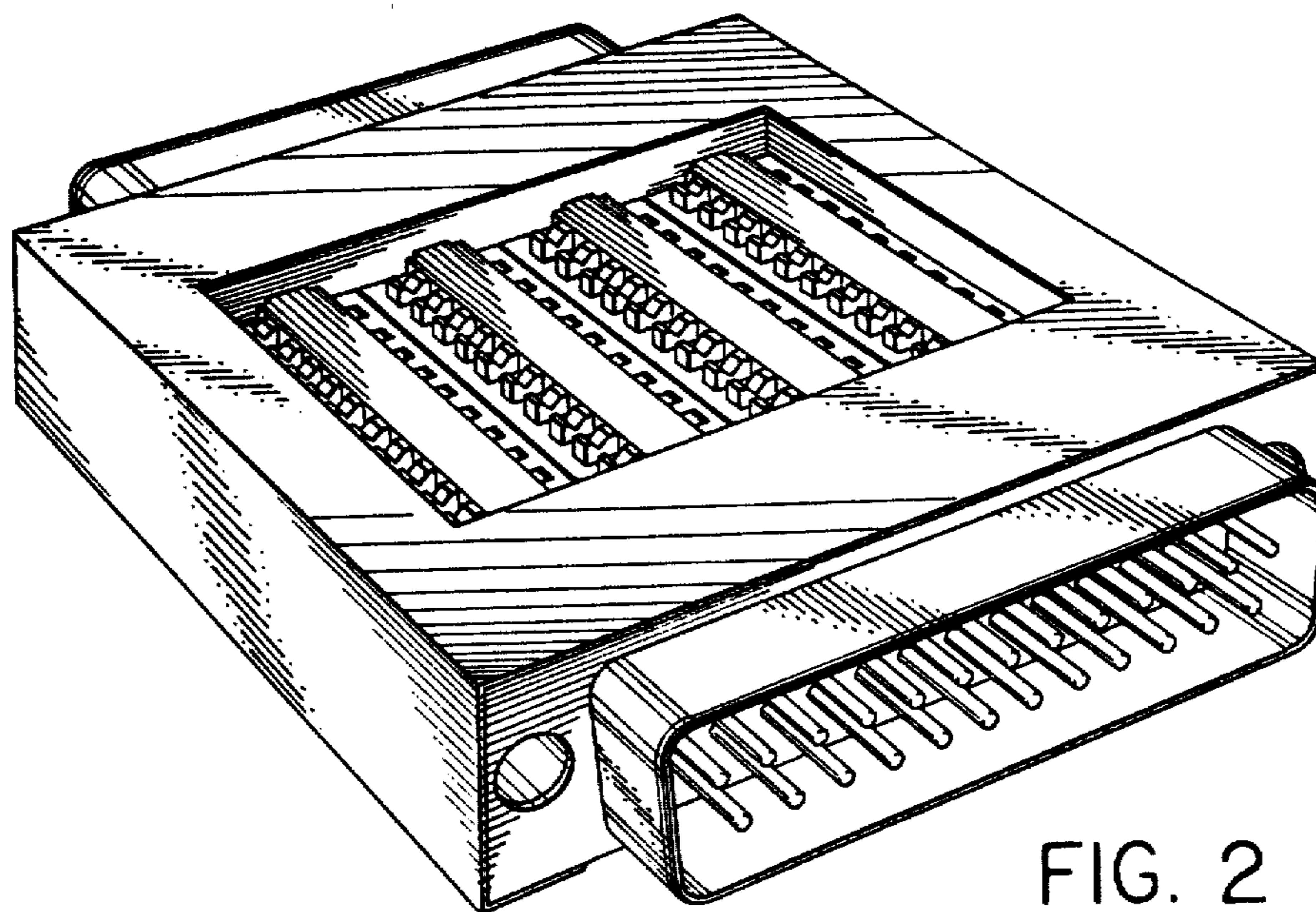


FIG. 2

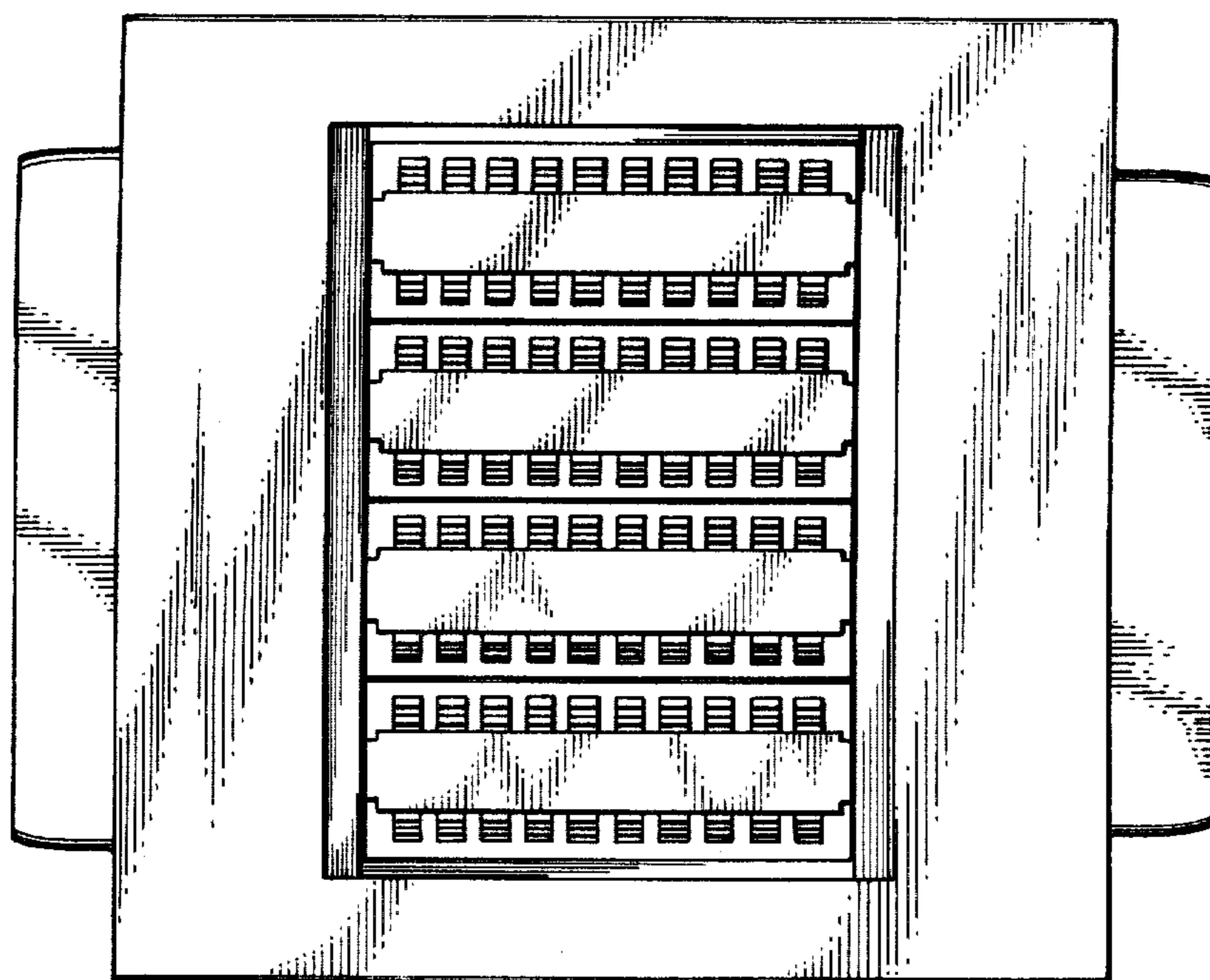


FIG. 3

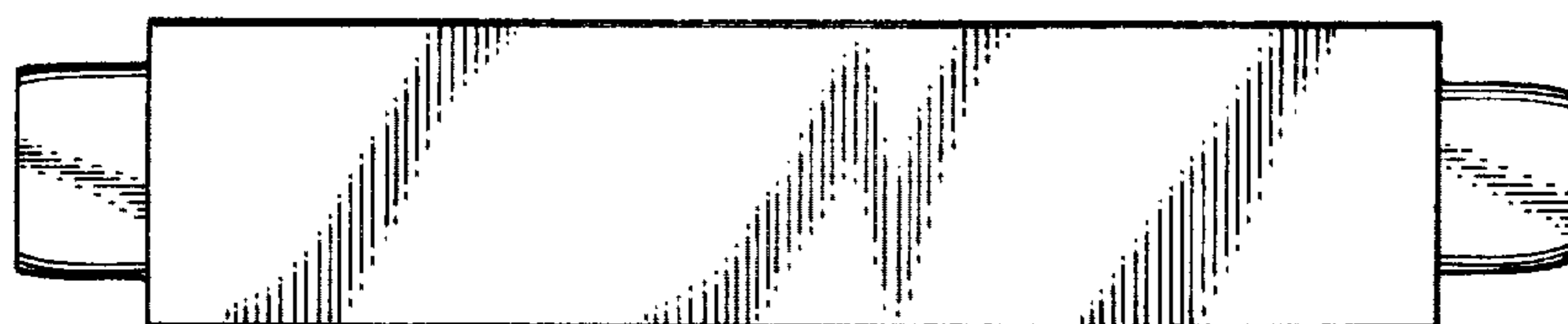


FIG. 4