

[54] TRAY FOR A BATTERY

[75] Inventors: Samuel M. Seltzer; Saul Dennison, both of Livingston, N.J.

[73] Assignee: Allison Corporation, Livingston, N.J.

[**] Term: 14 Years

[21] Appl. No.: 251,510

[22] Filed: Apr. 6, 1981

[51] Int. Cl. D13-02

[52] U.S. Cl. D13/10

[58] Field of Search 206/335; D13/10; 180/68.5; 296/1 F; 429/98, 99, 100; D7/37

[56] References Cited

U.S. PATENT DOCUMENTS

3,165,163 1/1965 Holka 180/68.5
4,327,809 5/1982 Fenstermaker 180/68.5

Primary Examiner—Susan J. Lucas
Attorney, Agent, or Firm—Abraham Friedman

[57] CLAIM

The ornamental design for a tray for a battery, substantially as shown.

DESCRIPTION

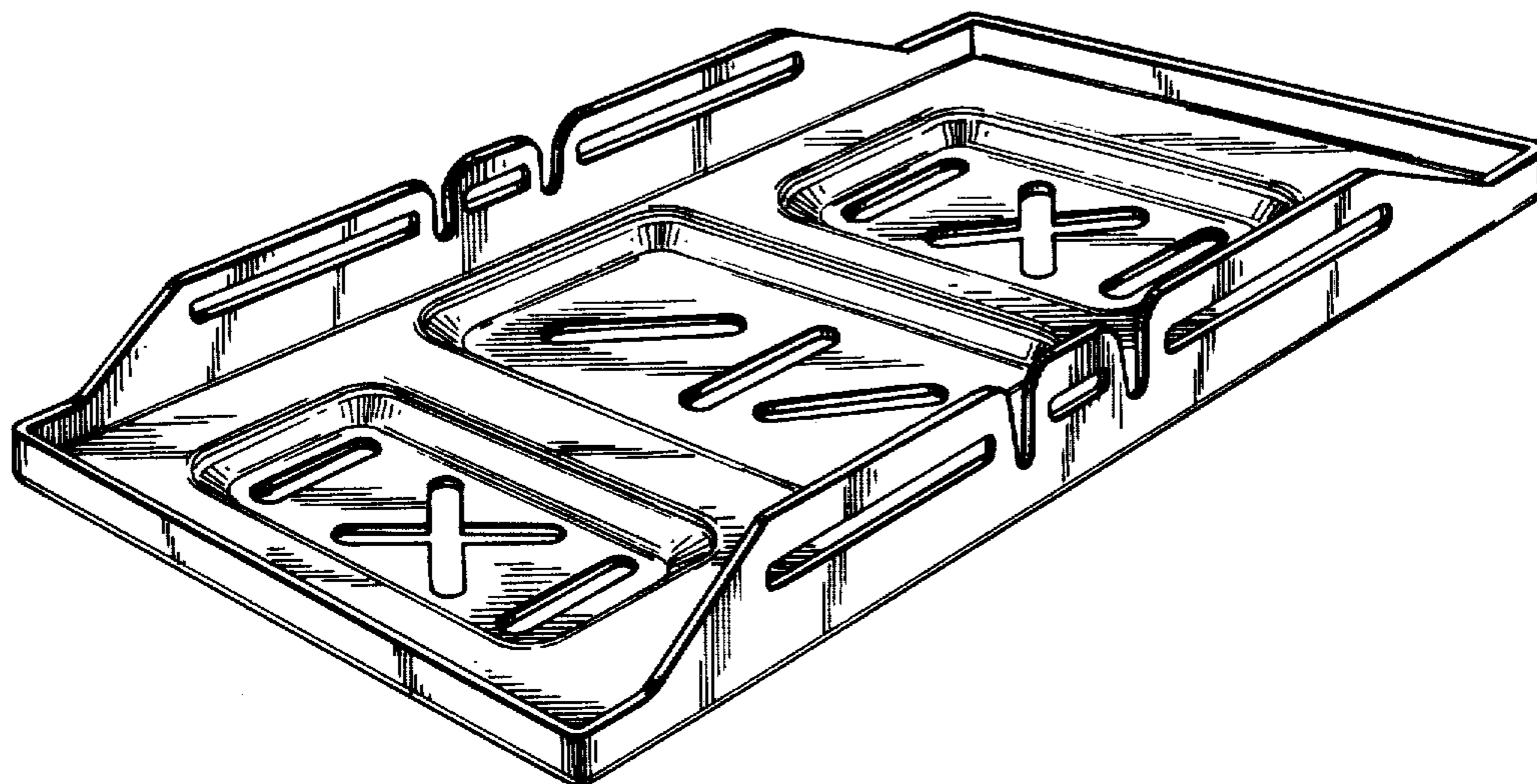
FIG. 1 is a front perspective view of a tray for a battery showing our new design.

FIG. 2 is a top plan view.

FIG. 3 is a front elevational view.

FIG. 4 is a left side elevational view.

FIG. 5 is a bottom plan view.



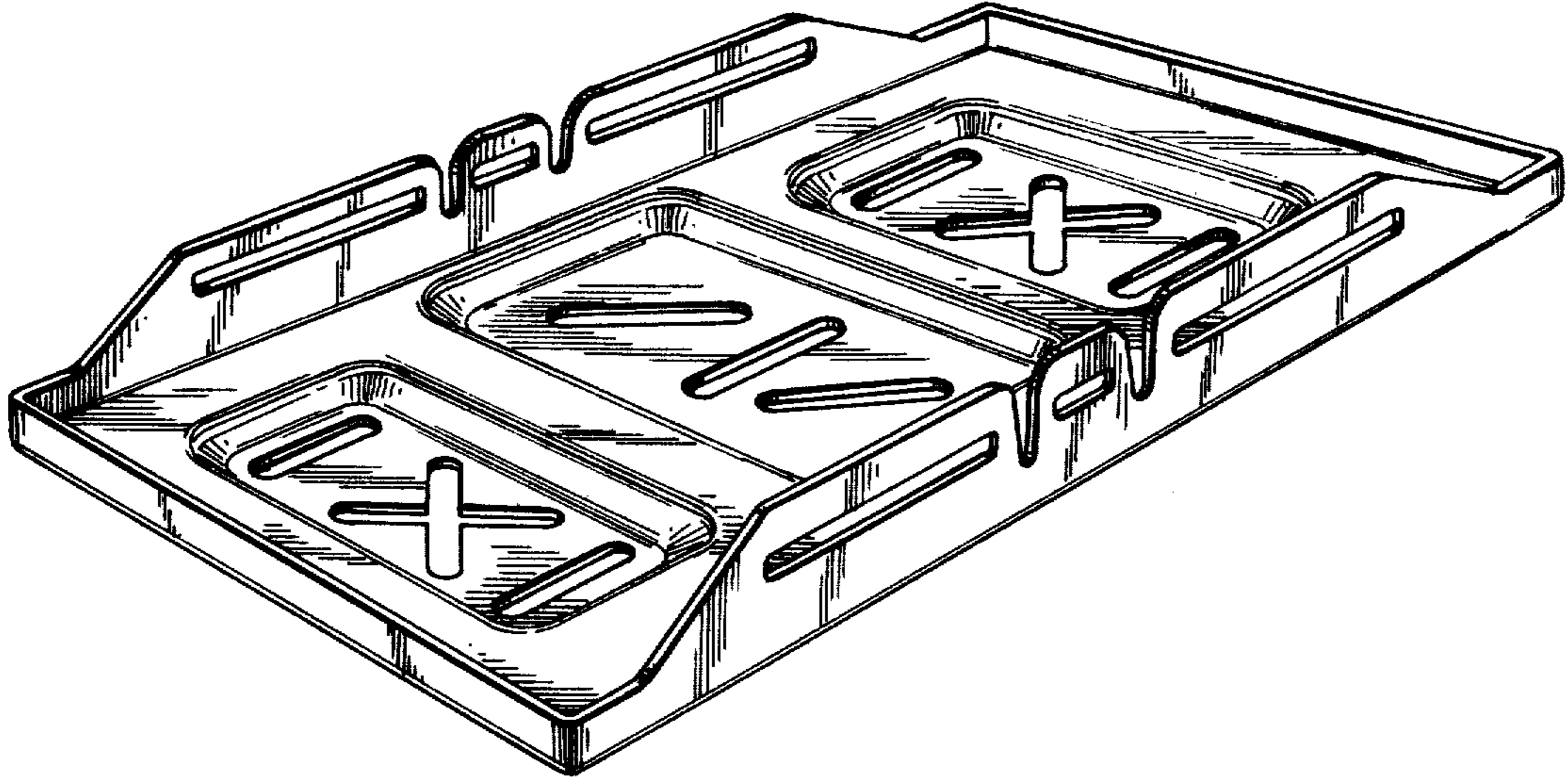


FIG. 1

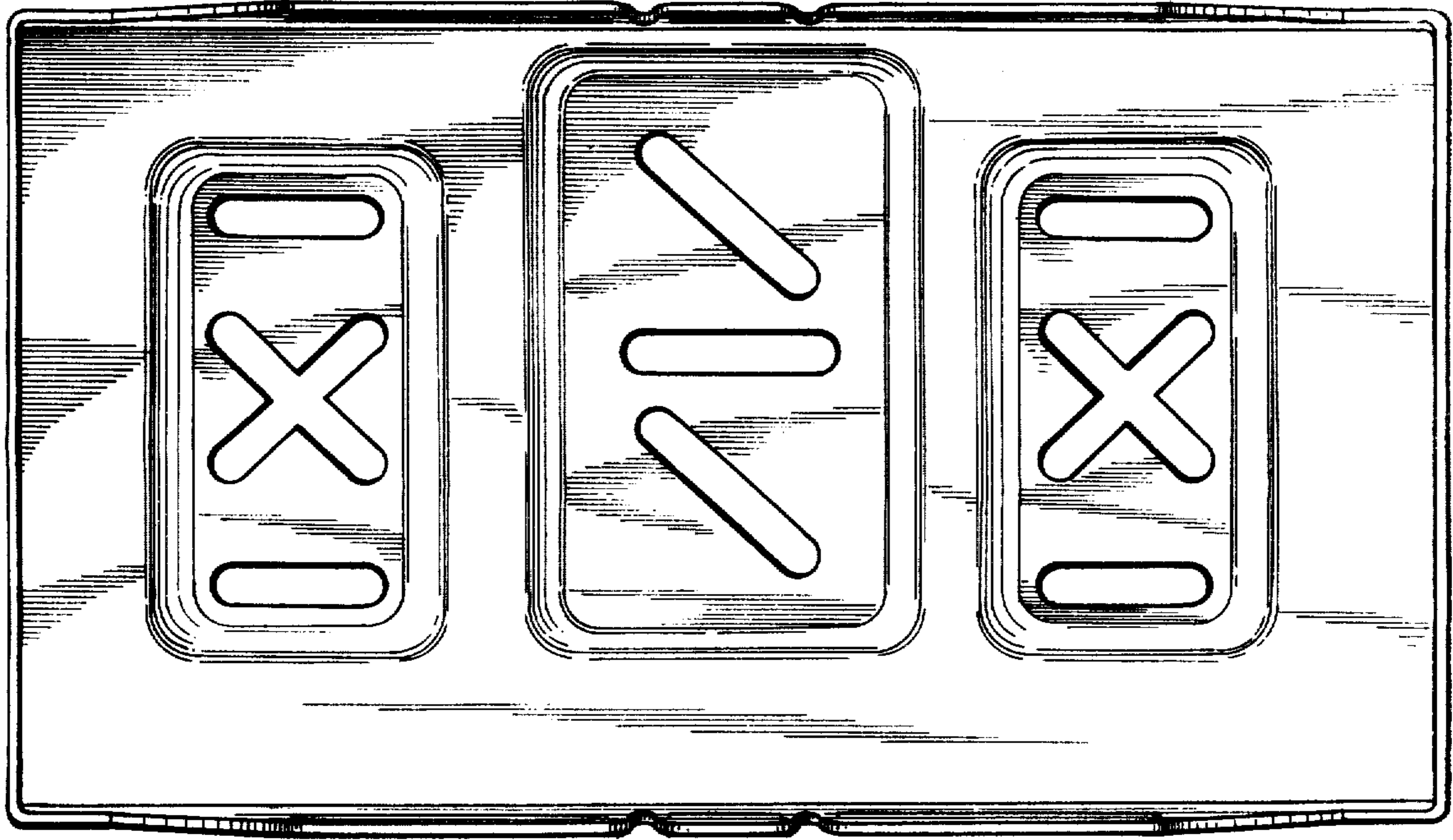


FIG. 2

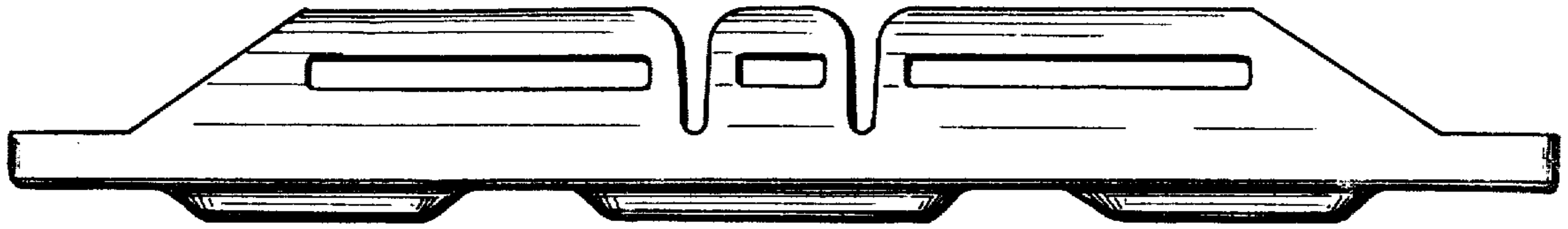


FIG. 3

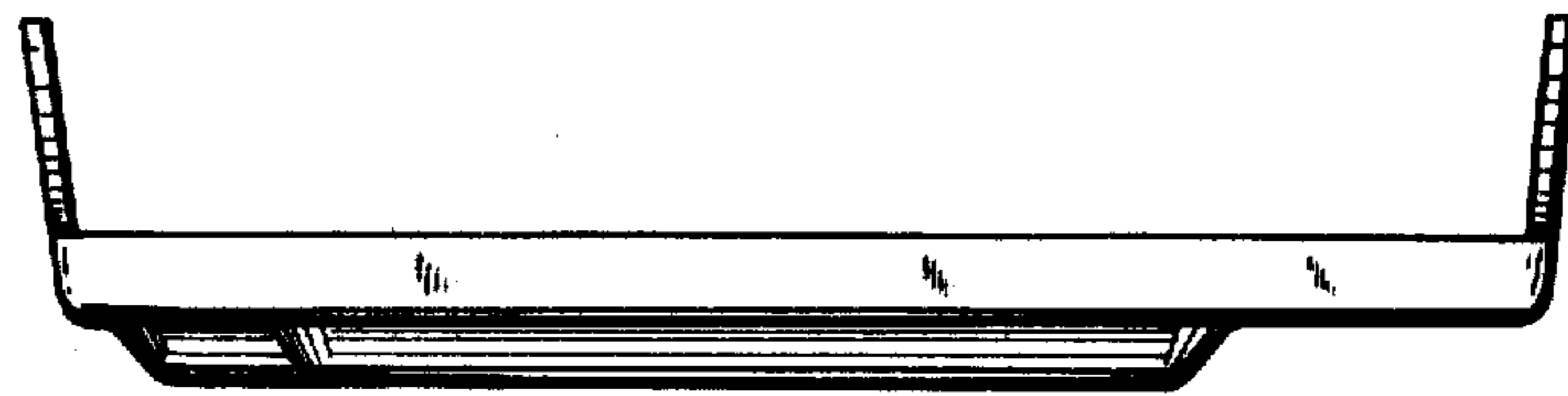


FIG. 4

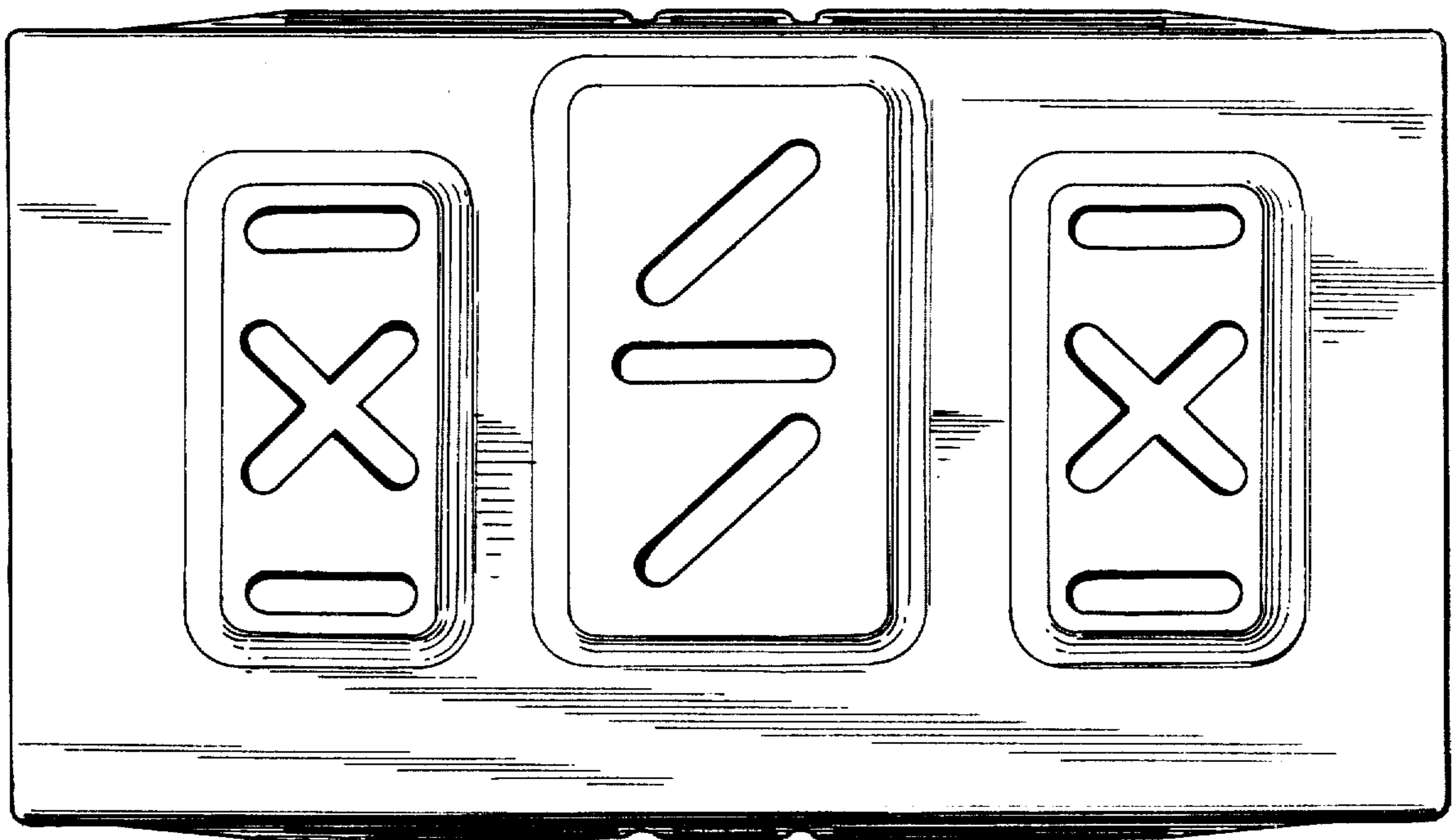


FIG. 5