

[54] **BACKING PLATE FOR SERVOMOTOR DIAPHRAGM**

[75] Inventors: **Keith H. Fulmer, Mishawaka; Oswald O. Kytta, South Bend, both of Ind.**

[73] Assignee: **The Bendix Corporation, Southfield, Mich.**

[\*\*] Term: **14 Years**

[21] Appl. No.: **176,308**

[22] Filed: **Aug. 8, 1980**

[51] Int. Cl. .... **D13-01**

[52] U.S. Cl. .... **D13/1**

[58] Field of Search ..... **D13/1, 2, 3; 310/89, 310/88, 91, 324; 91/369 A, 376; 92/48, 98 R, 99, 100**

[56] **References Cited**

**U.S. PATENT DOCUMENTS**

3,509,795	5/1970	Woodward .....	92/48 X
3,603,208	9/1971	Kytta .....	91/376 R
3,659,448	5/1972	Schaus .....	92/100 X
3,754,450	8/1973	Putt et al. ....	91/376 R
4,005,639	2/1977	Welsch, Jr. ....	91/376 R

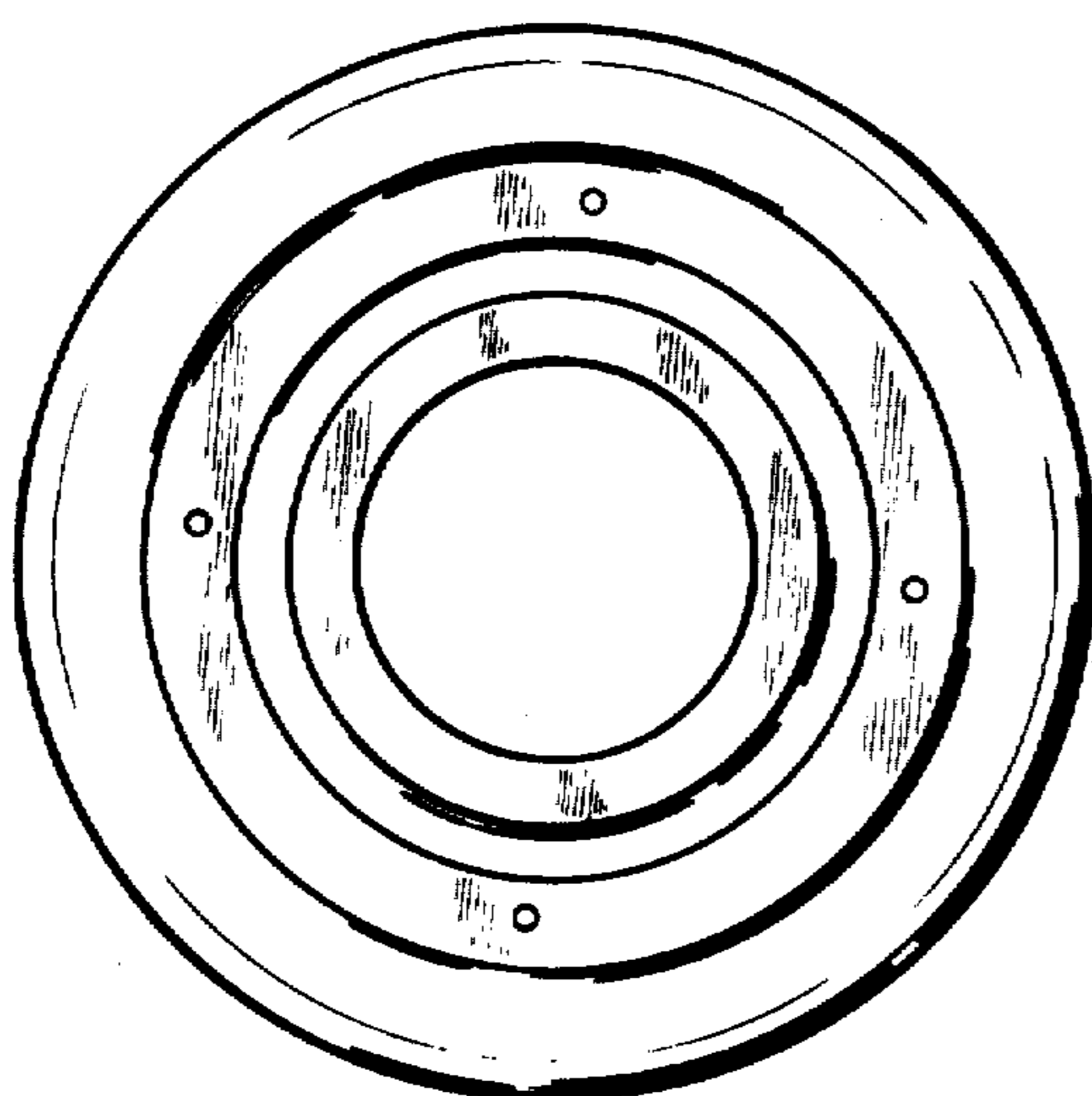
*Primary Examiner*—Susan J. Lucas  
*Attorney, Agent, or Firm*—Leo H. McCormick, Jr.; Ken C. Decker

[57] **CLAIM**

The ornamental design for a backing plate for servomotor diaphragm, as shown.

**DESCRIPTION**

FIG. 1 is an end elevational view of a backing plate for servomotor diaphragm showing our new design; FIG. 2 is a side elevational view thereof; FIG. 3 is a front elevational view thereof; and FIG. 4 is a cross-sectional view thereof taken along line 4-4 of FIG. 2.



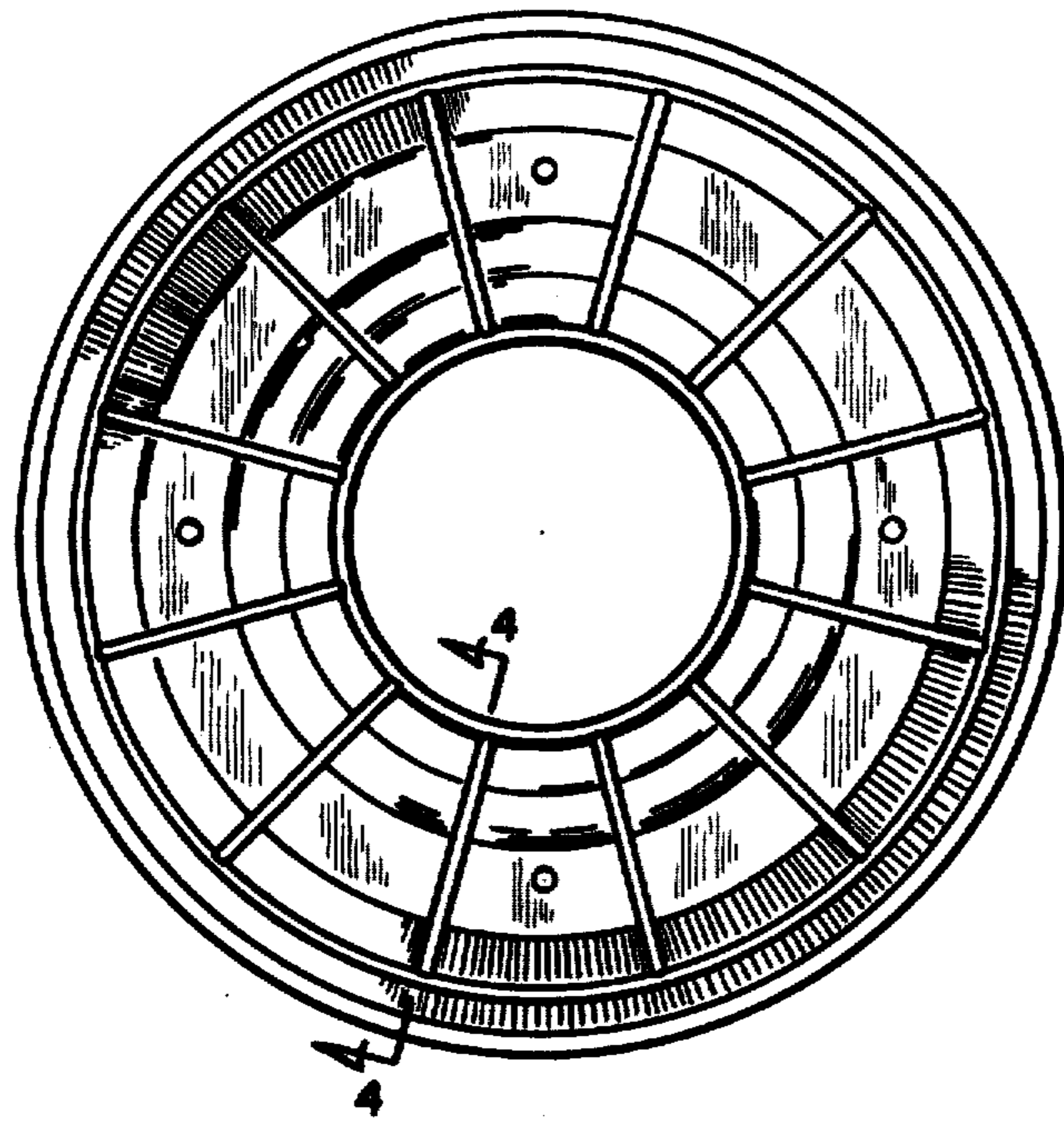


FIG. 1

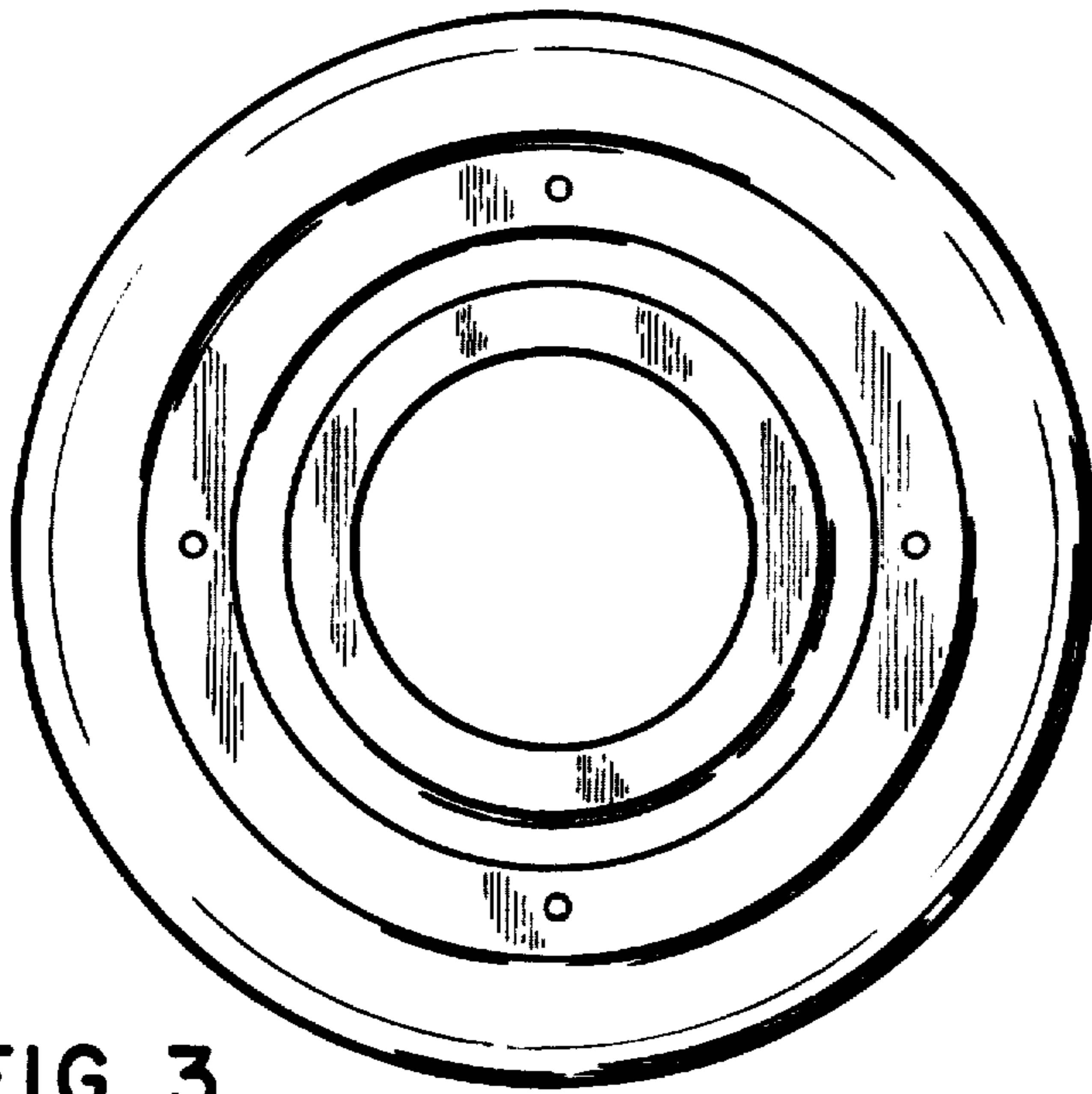


FIG. 3

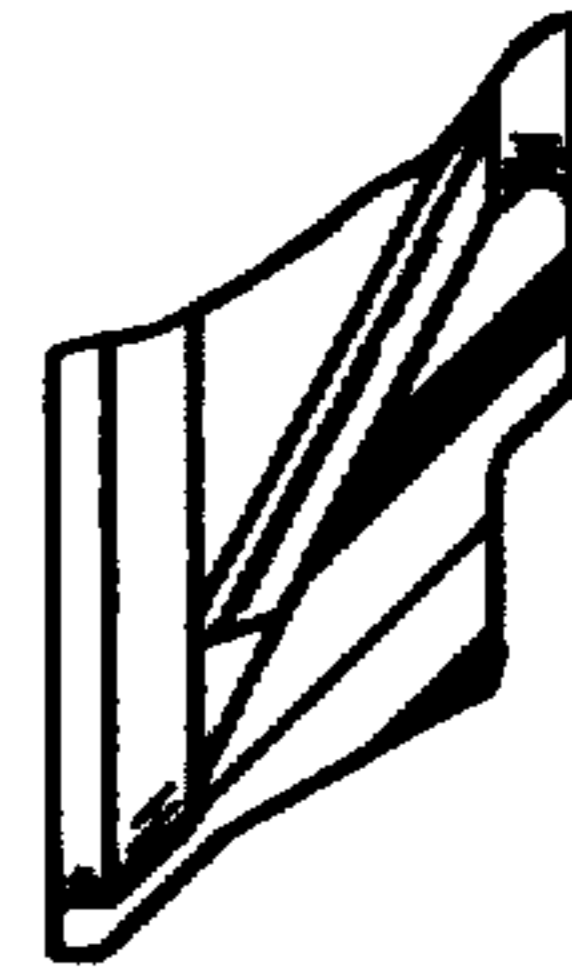


FIG. 4

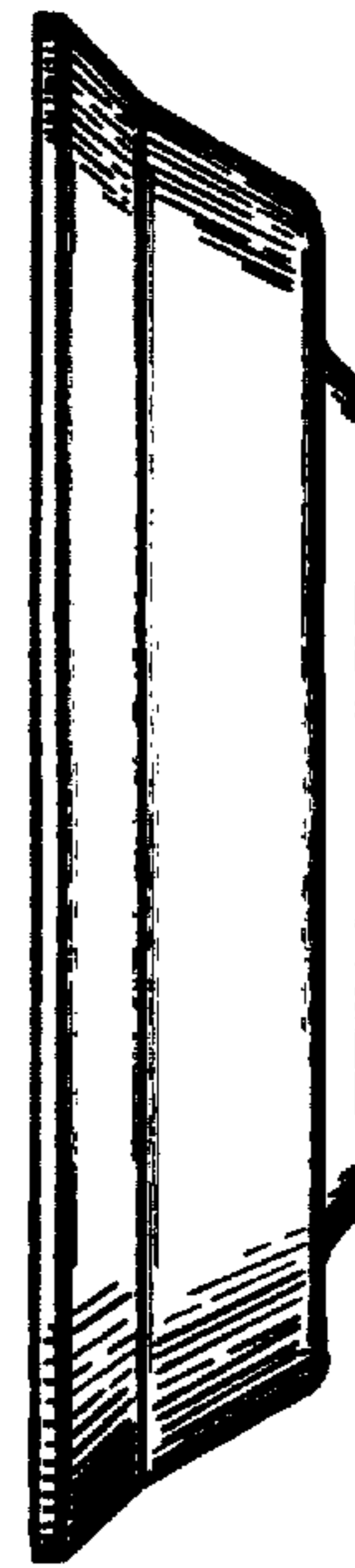


FIG. 2