

[54] AUTOMOBILE ROOF TOP CARRIER

[76] Inventors: Don R. Taylor, 1423 Ruffner St., Birmingham, Mich. 48008; Edward J. Prentice, 959 Loma Verde, Palo Alto, Calif. 94303

[\*\*] Term: 14 Years

[21] Appl. No.: 241,219

[22] Filed: Mar. 6, 1981

[51] Int. Cl. .... D12-16

[52] U.S. Cl. .... D12/157

[58] Field of Search ..... D12/157; 224/316, 327, 224/328

[56] References Cited

U.S. PATENT DOCUMENTS

D. 214,666	7/1969	Gretz	.....	D12/157
D. 240,415	7/1976	Schoening	.....	D12/16
D. 243,392	2/1977	Fairthorne	.....	D12/16
2,914,231	11/1959	Hornke	.....	D12/157
3,565,305	2/1971	Belokin, Jr.	.....	224/42.1

FOREIGN PATENT DOCUMENTS

3000166	7/1981	Fed. Rep. of Germany	.....	224/316
2069433	8/1981	United Kingdom	.....	224/329

OTHER PUBLICATIONS

Advertisement of Carefree of Colorado, Creactaform Storage Pod.

Advertisement of Roofboot Roof Carrier.

Advertisement of A & E Roof Carrier.

Primary Examiner—James M. Gandy

Attorney, Agent, or Firm—Limbach, Limbach & Sutton

[57] CLAIM

The ornamental design for an automobile roof top carrier, substantially as shown and described.

DESCRIPTION

FIG. 1 is a left, front perspective view of an automobile roof top carrier showing our new design;

FIG. 2 is a right, front perspective view thereof with the cover in open condition;

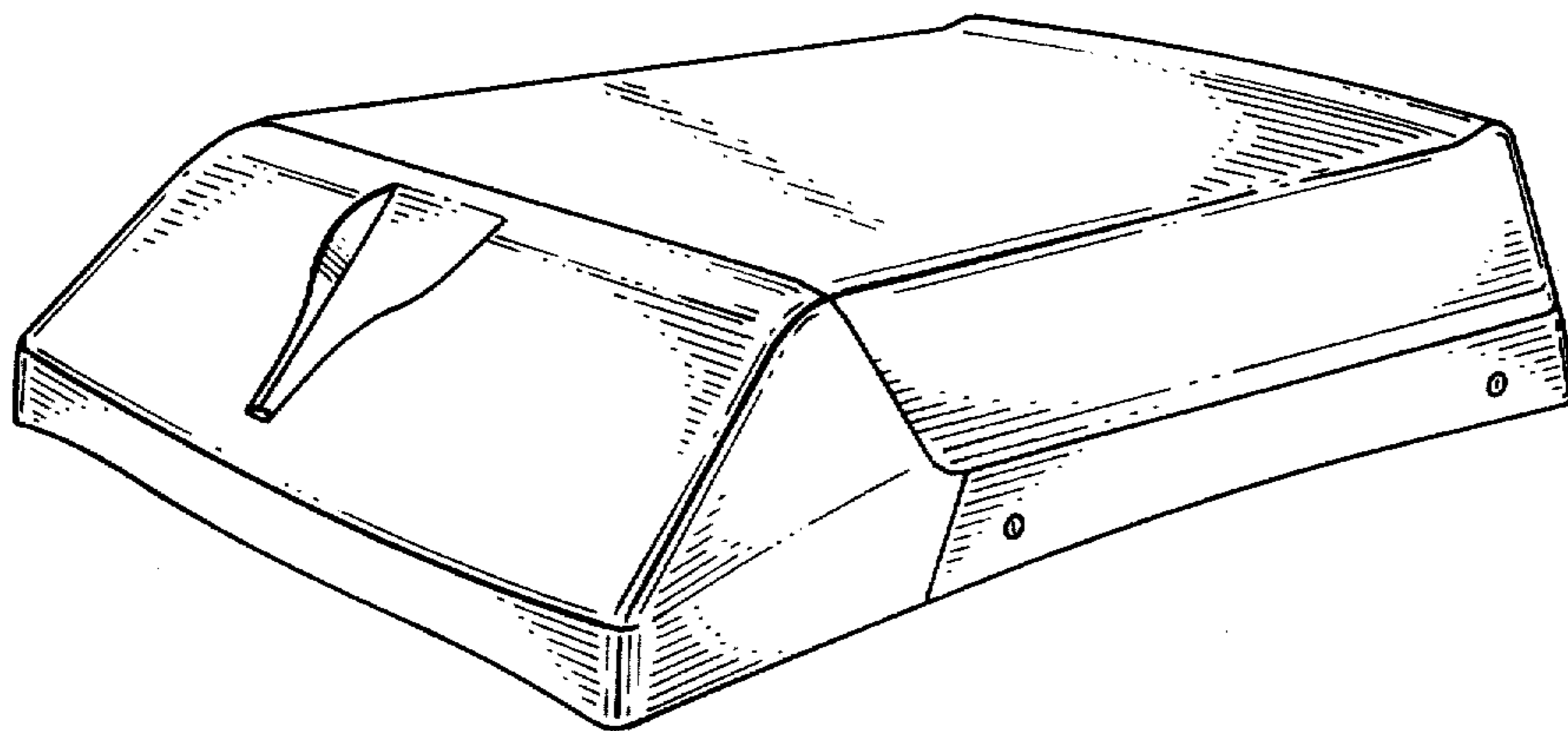
FIG. 3 is a left, rear perspective view thereof with the cover removed for clarity of illustration;

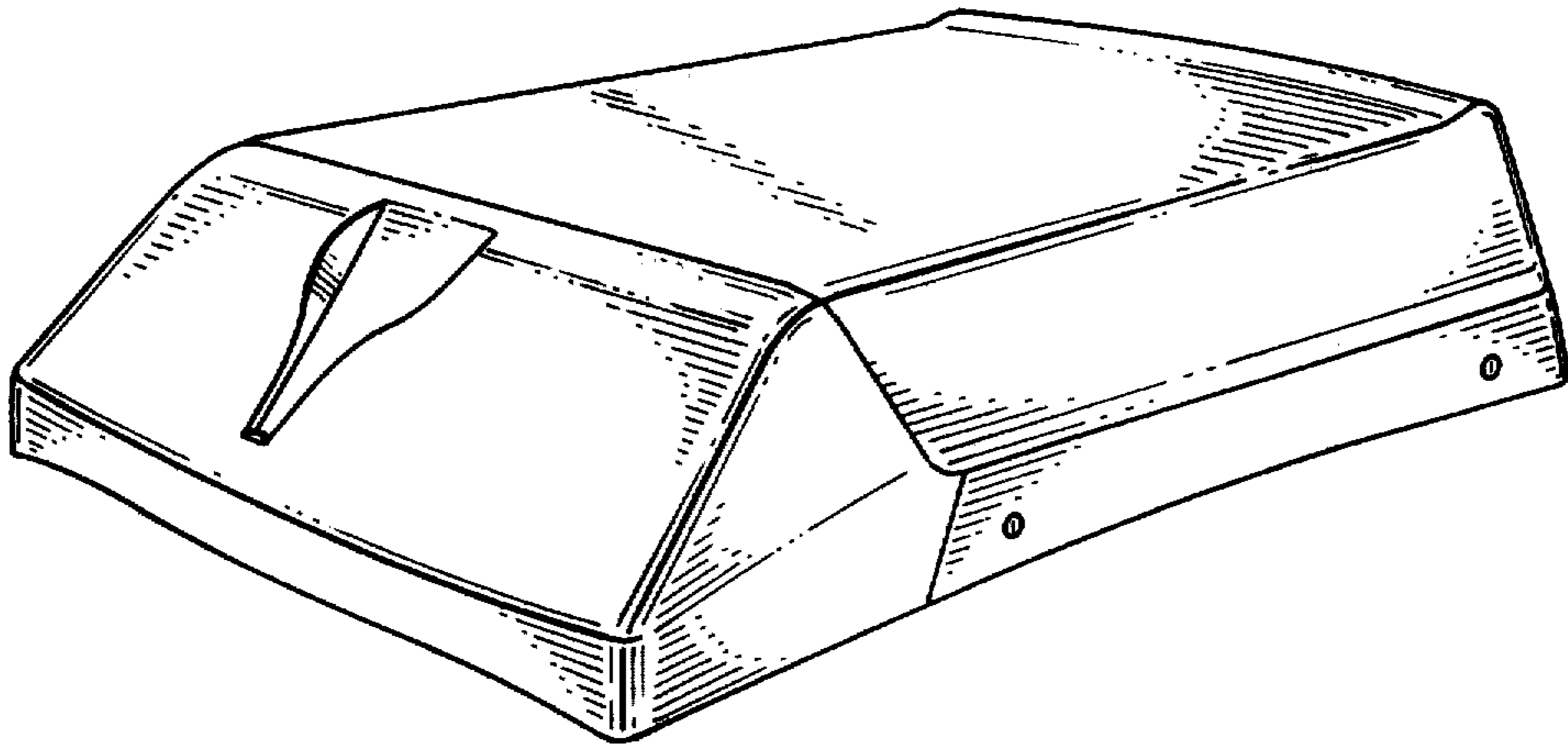
FIG. 4 is an enlarged left side elevational view thereof;

FIG. 5 is an enlarged front elevational view thereof;

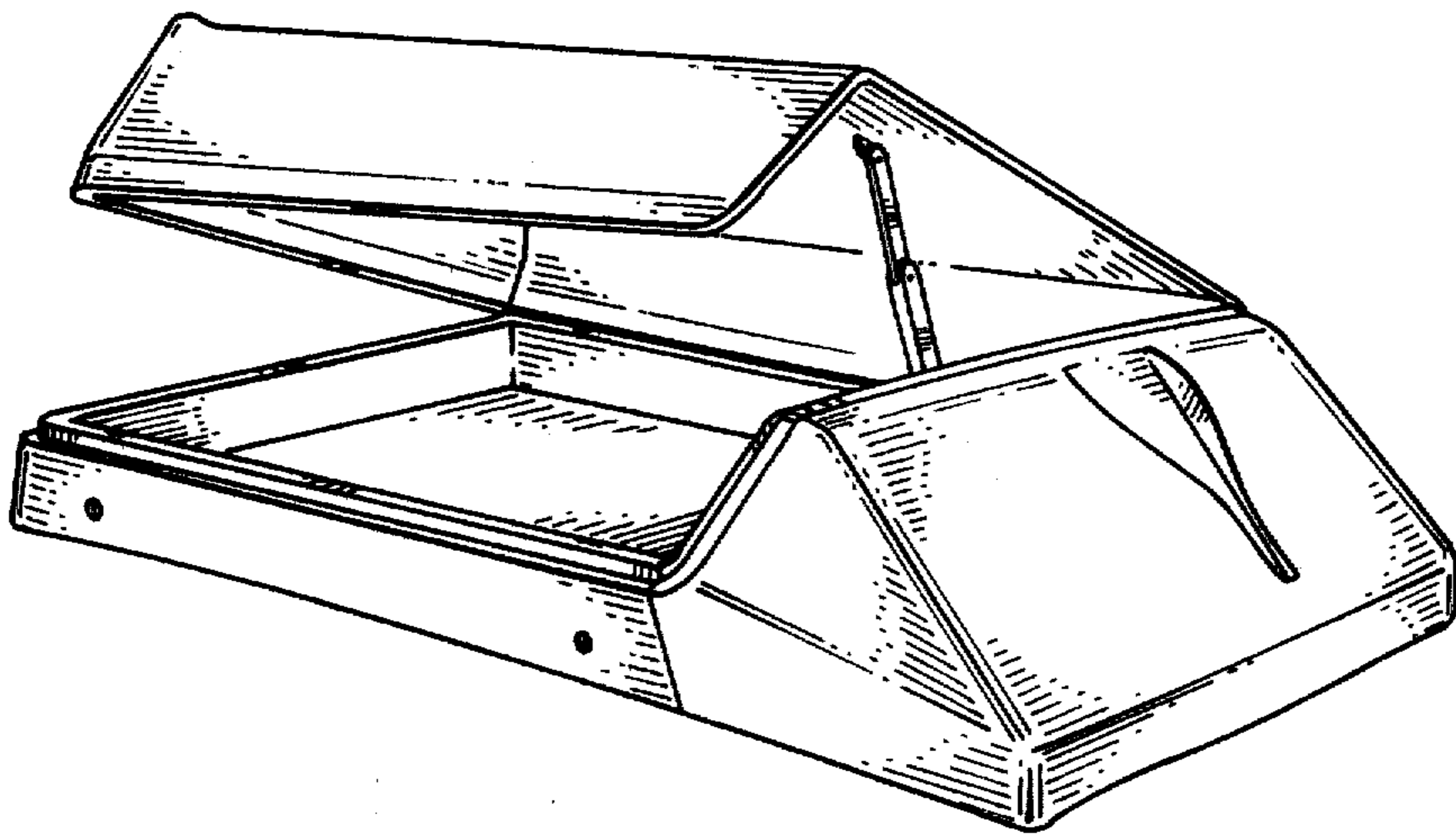
FIG. 6 is an enlarged rear elevational view thereof; and

FIG. 7 is a top plan view thereof on a reduced scale.

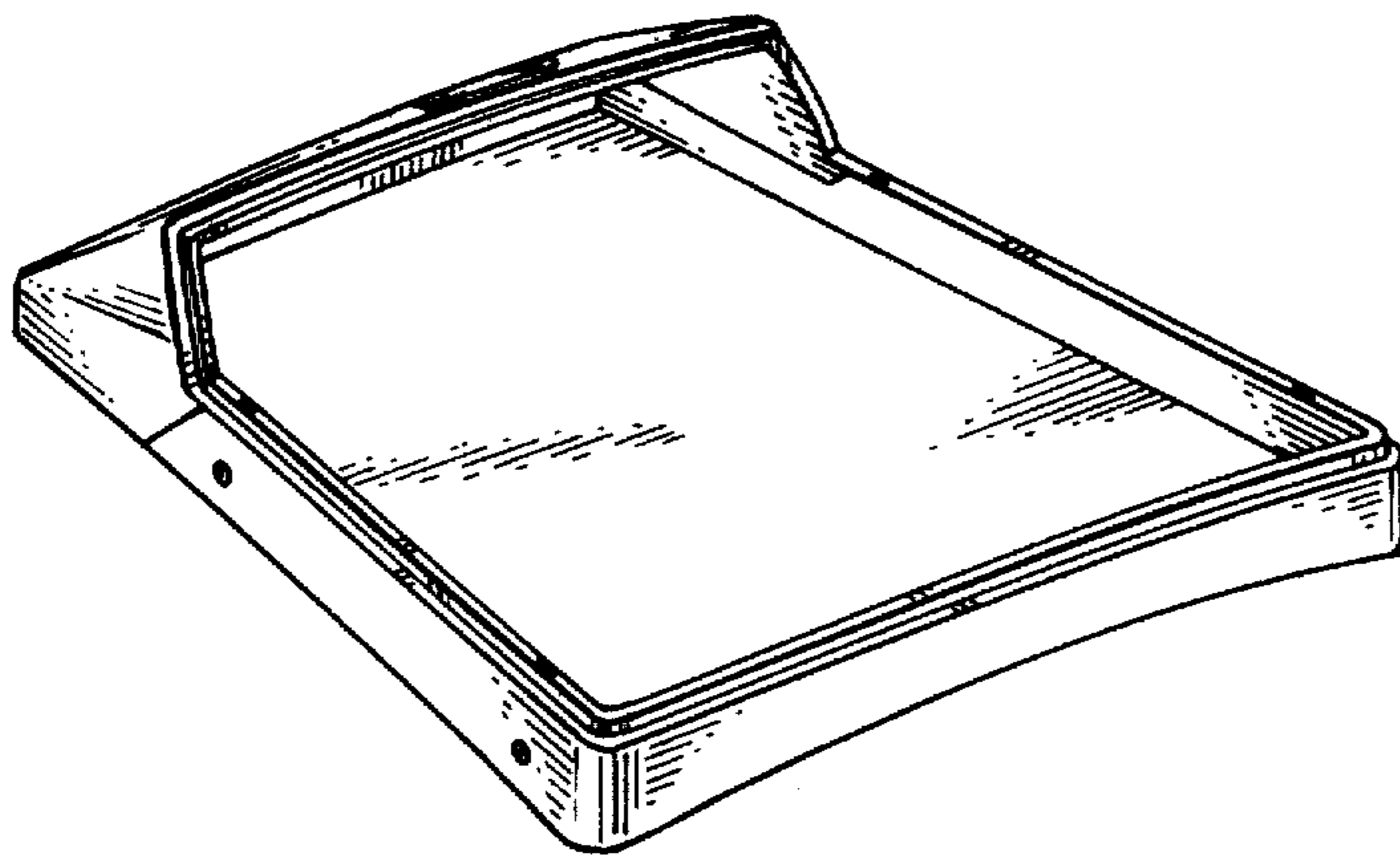




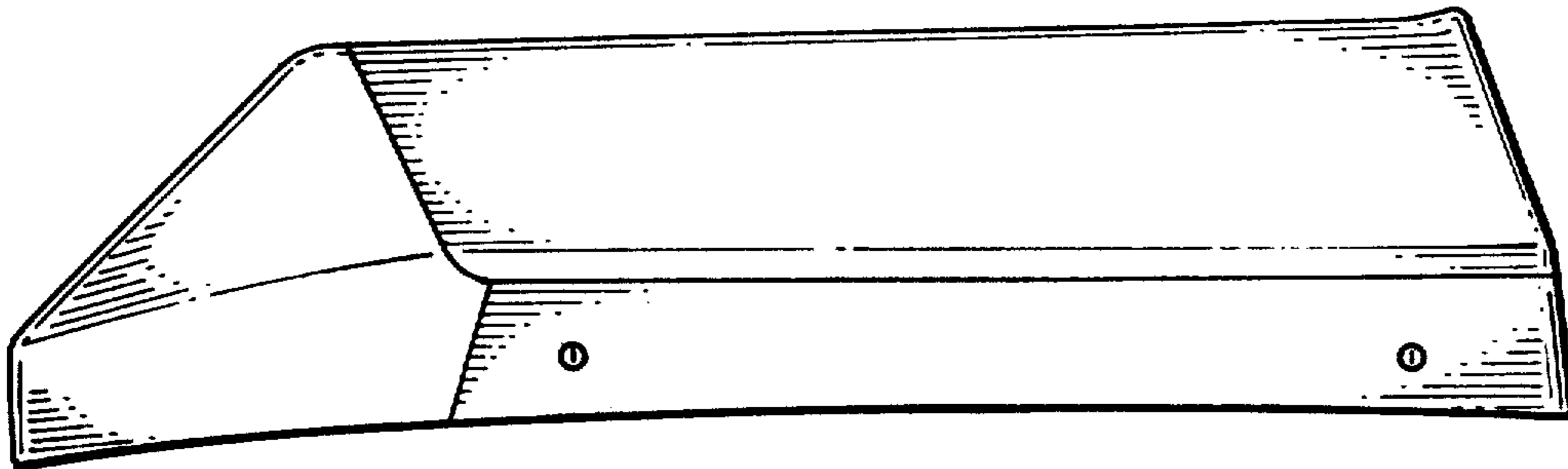
**FIG. 1.**



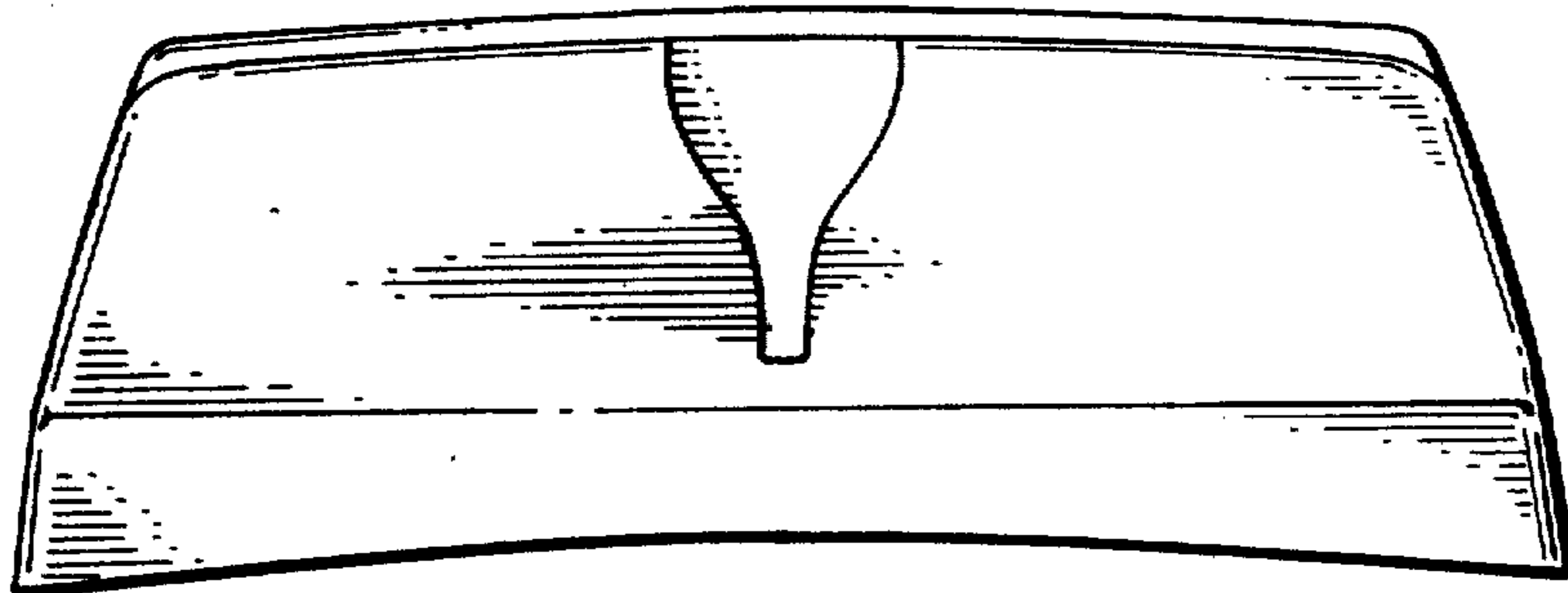
**FIG. 2.**



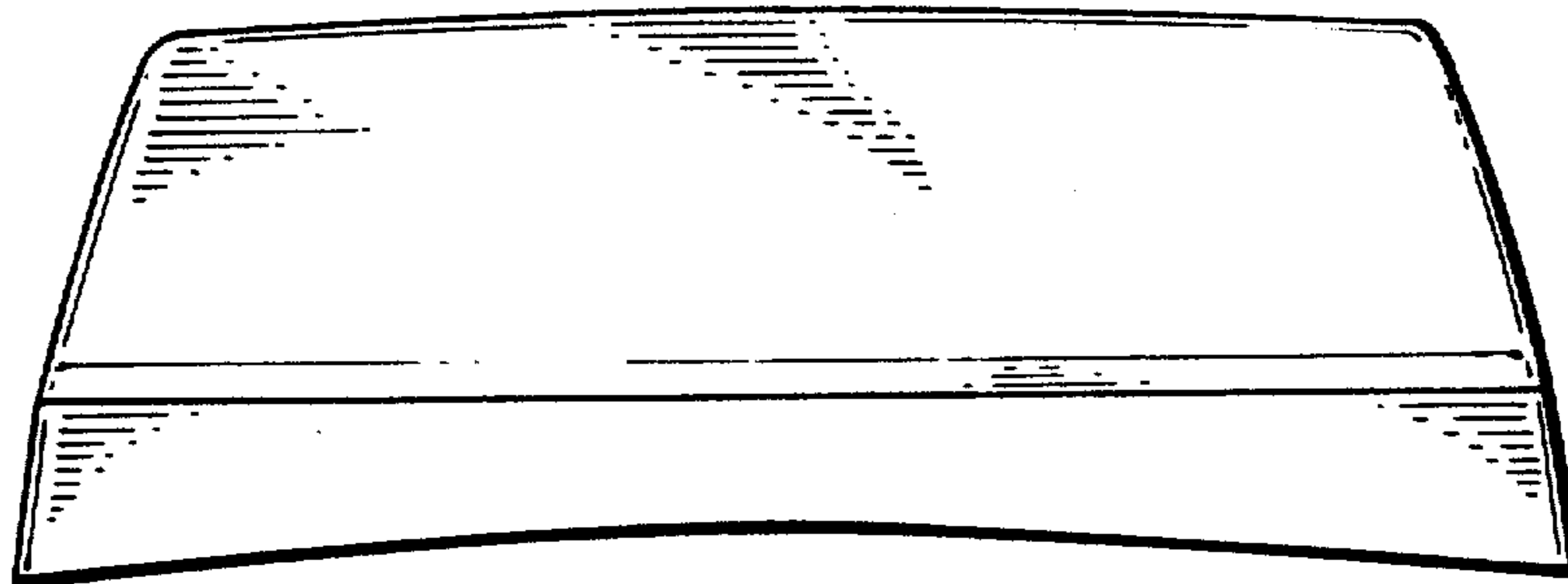
**FIG. 3.**



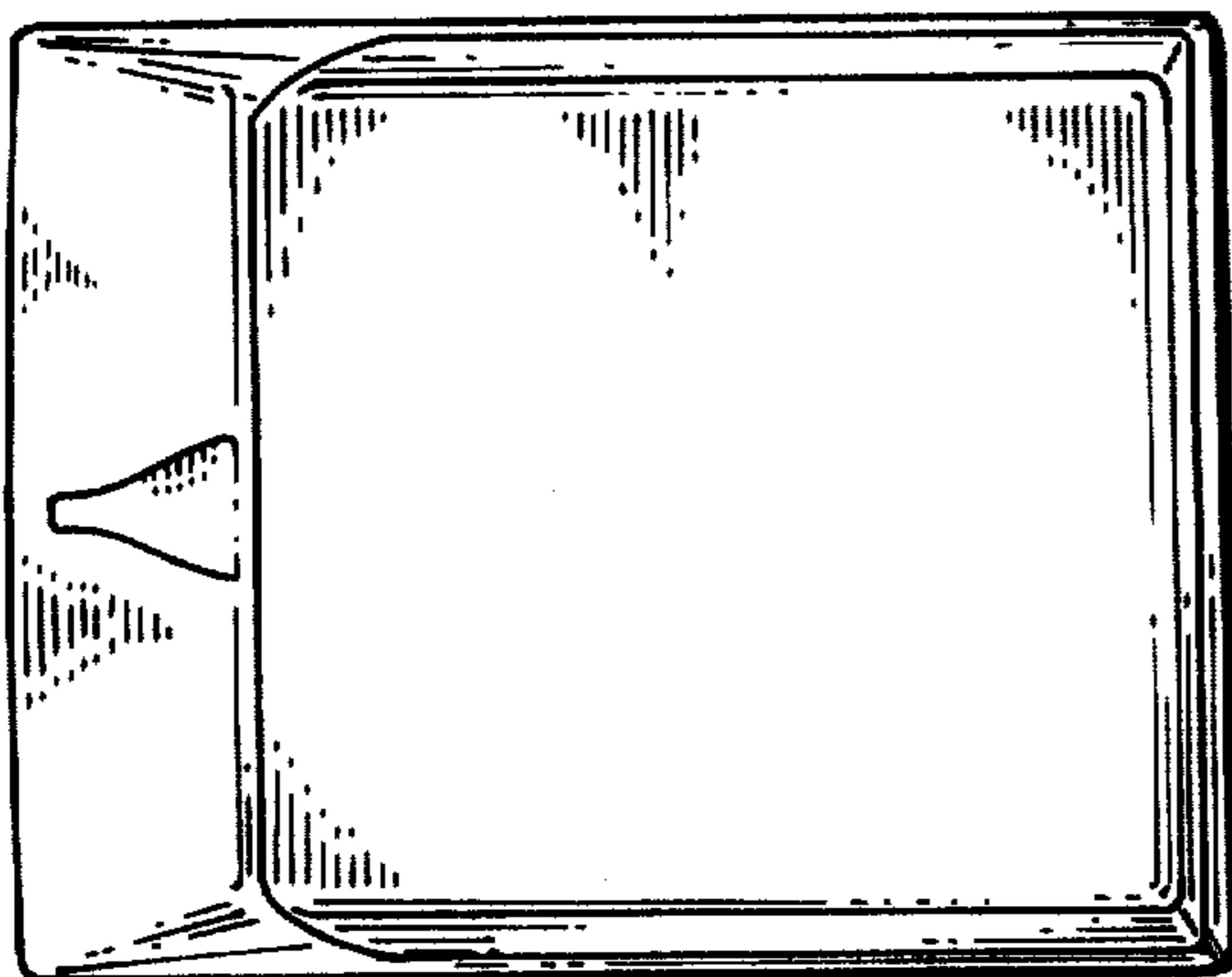
**FIG. 4.**



**FIG. 5.**



**FIG. 6.**



**FIG. 7.**