

[54] **MOBILE**

[76] Inventor: **Harold Lehr**, 307 E. 92nd St., New York, N.Y. 10028

[**] Term: **14 Years**

[21] Appl. No.: **246,577**

[22] Filed: **Mar. 23, 1981**

[51] Int. Cl. **D11-02**

[52] U.S. Cl. **D11/141; D21/92**

[58] Field of Search **D11/131, 140, 141, 157; D21/69, 92, 93, 102; 428/13, 14; 46/53, 57; 356/216**

[56] **References Cited**

U.S. PATENT DOCUMENTS

D. 213,710 4/1969 Jacobs D21/92
1,400,386 12/1921 Strobl 46/57
2,108,002 2/1938 Smith et al. 46/53

FOREIGN PATENT DOCUMENTS

610265 10/1948 United Kingdom 46/57

OTHER PUBLICATIONS

Edmund Scientific Co., Catalog 695 ©1969, p. 31-Radiometer, at lower right.

Breck's of Boston 1970 Gifts, p. 49-Nut Server Sphere, at upper right.

Primary Examiner—Louis S. Zarfes

Attorney, Agent, or Firm—Hubbell, Cohen, Stiefel & Gross

[57] **CLAIM**

The ornamental design for a mobile, substantially as shown.

DESCRIPTION

FIG. 1 is a top plan view of a mobile showing my new design;

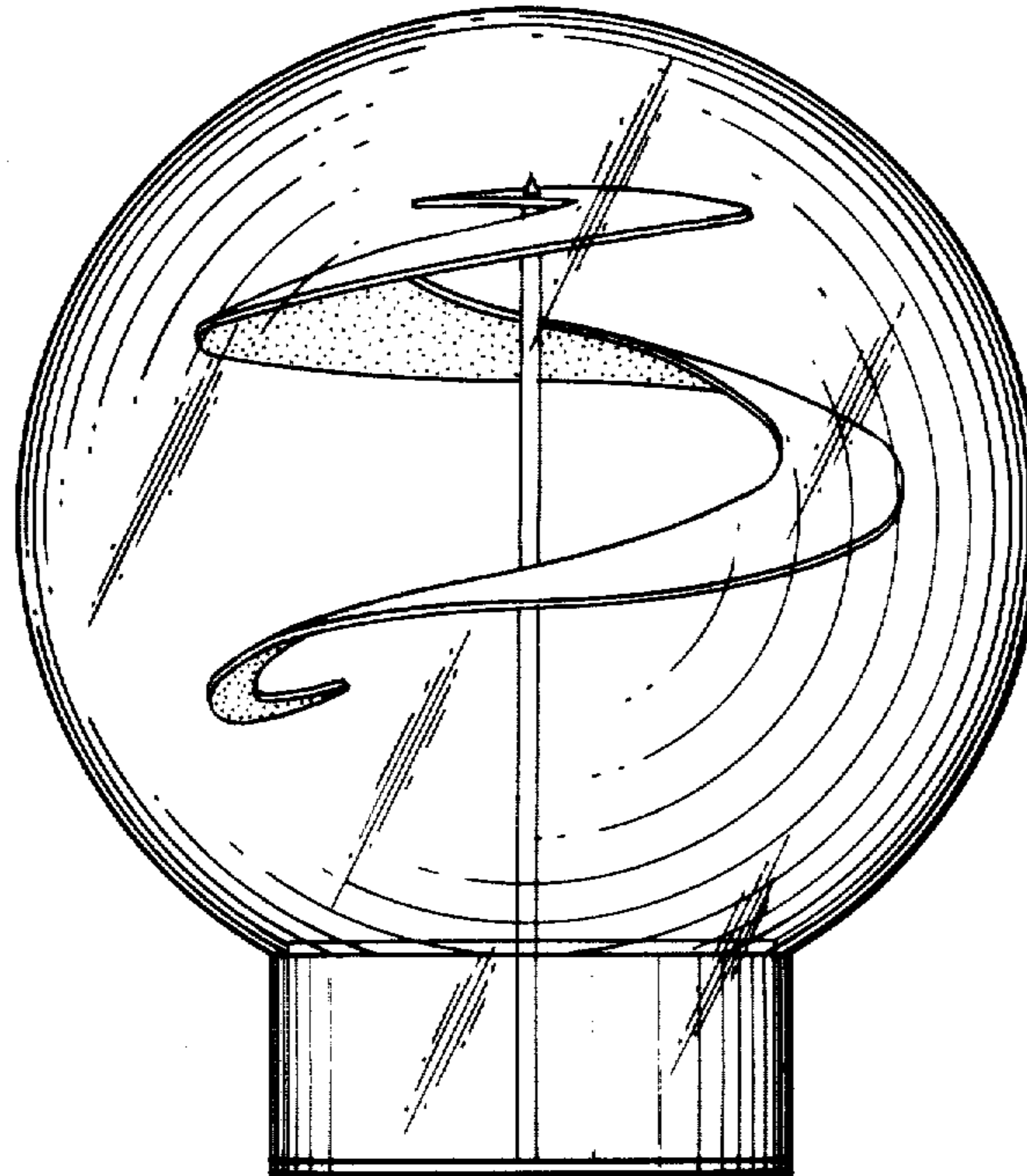
FIG. 2 is an elevational view as seen from the bottom in FIG. 1;

FIG. 3 is another elevational view as seen from the right in FIG. 1;

FIG. 4 is yet another elevational view as seen from the top in FIG. 1;

FIG. 5 is still another elevational view as seen from the left side in FIG. 1; and

FIG. 6 is a bottom plan view of the mobile.



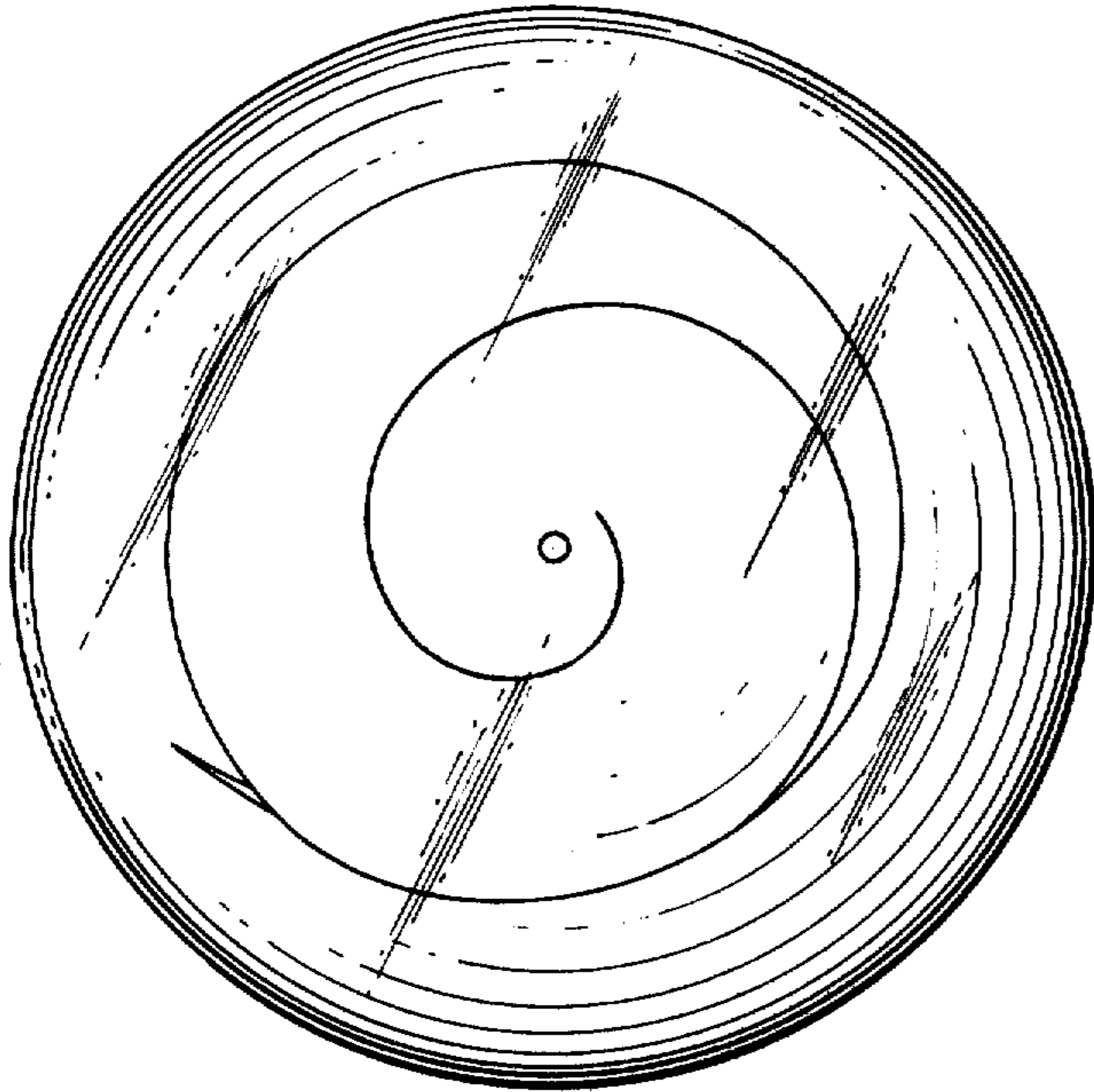


FIG. 1

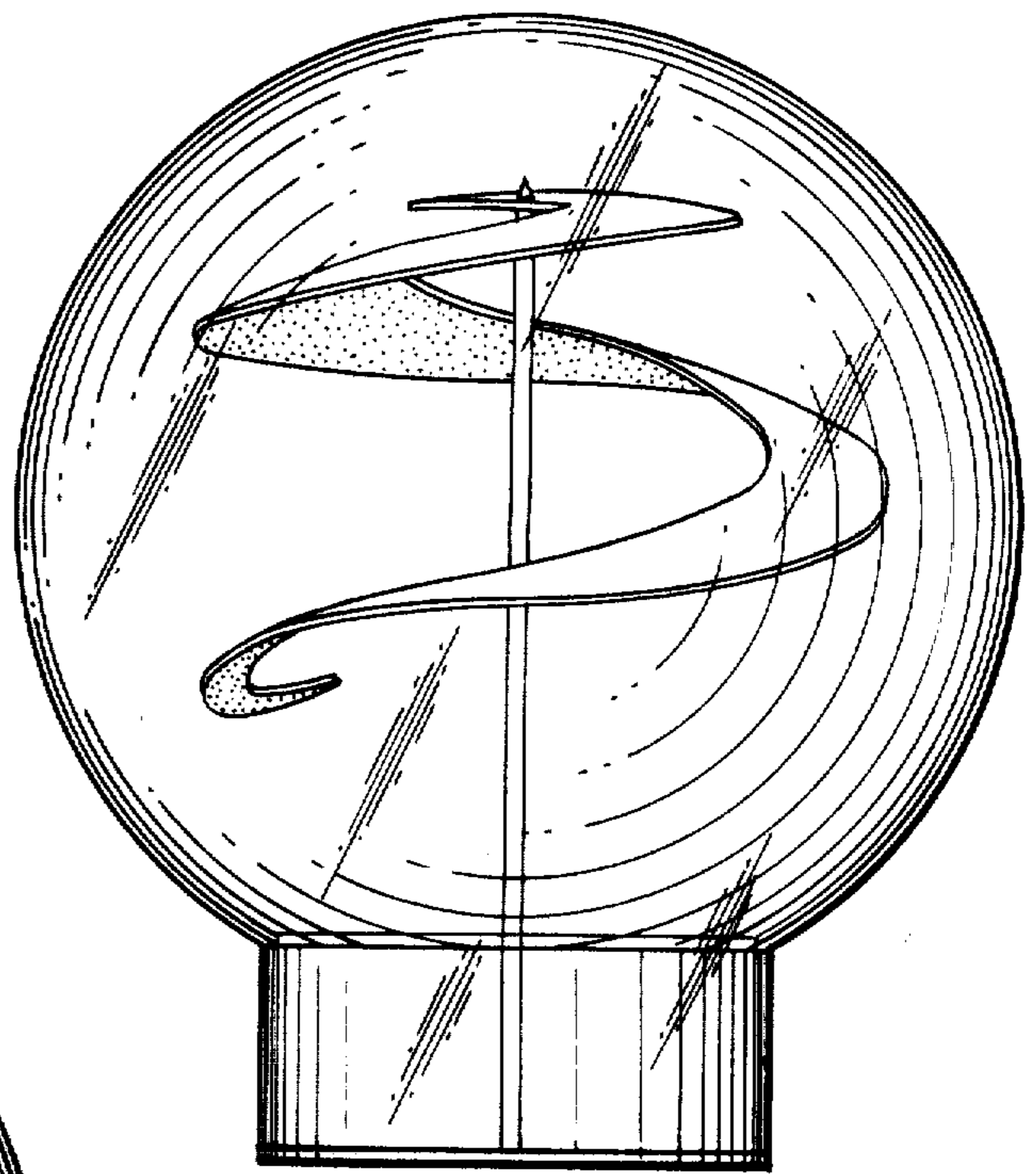
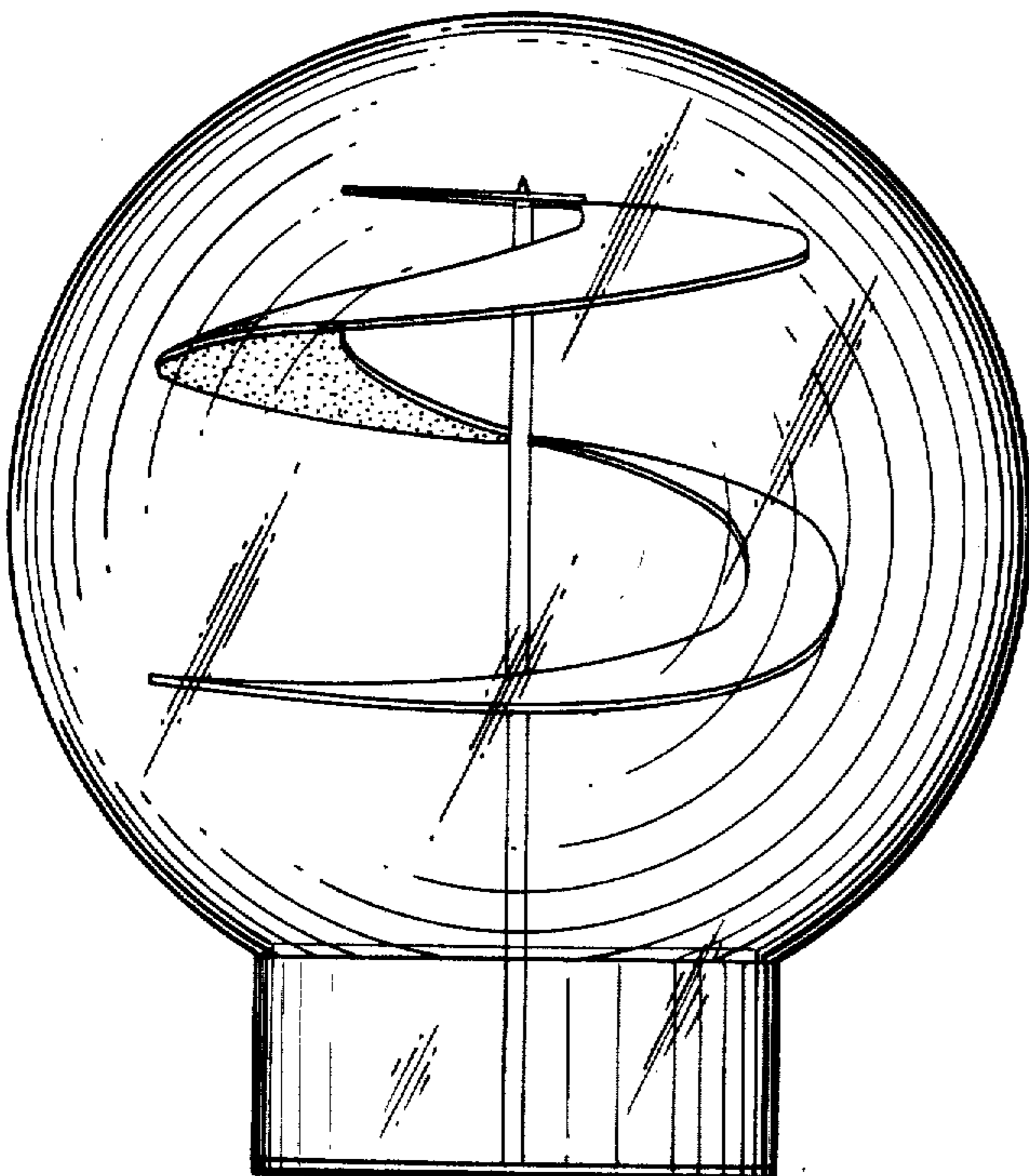


FIG. 3

FIG. 2



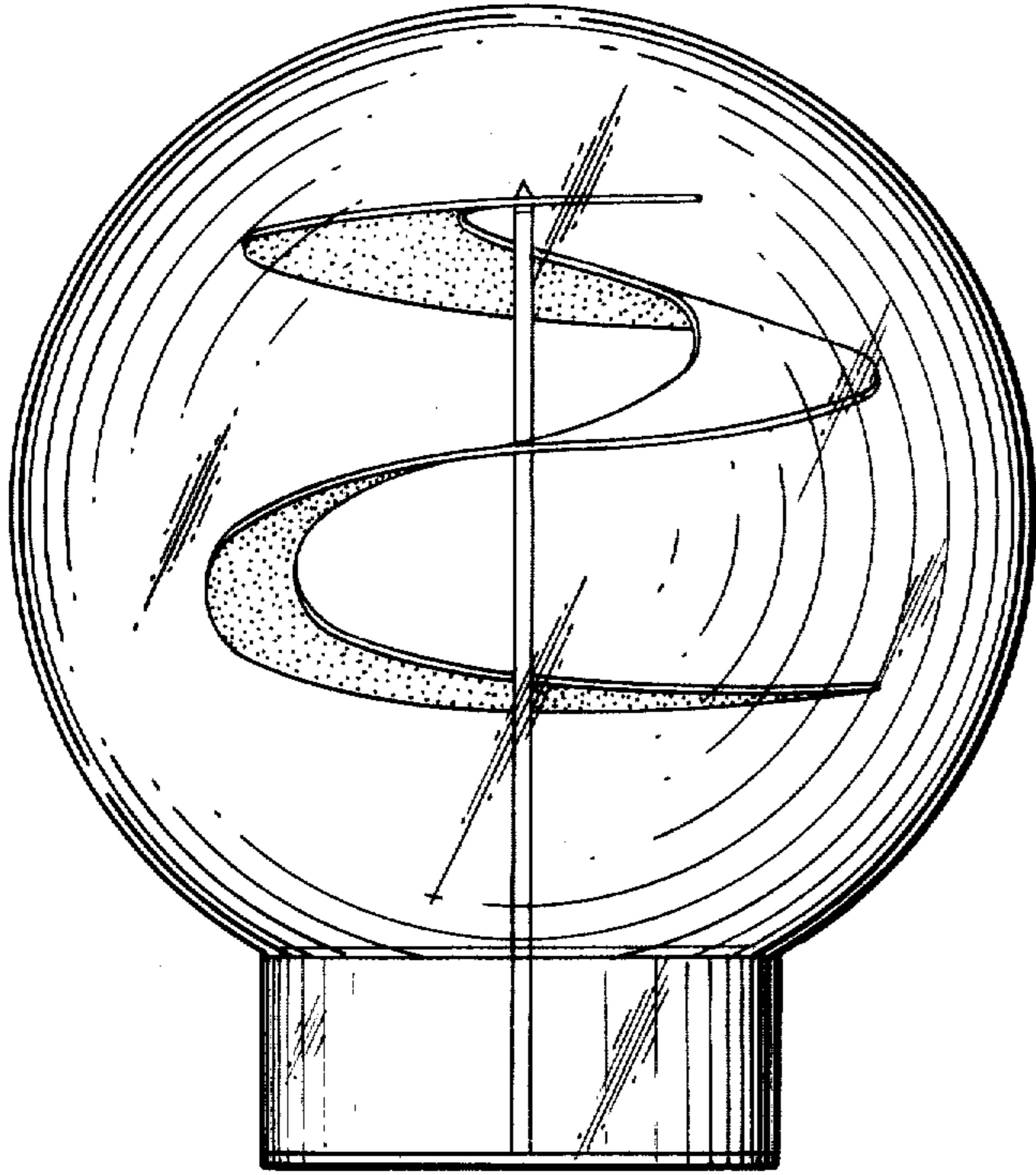


FIG. 4

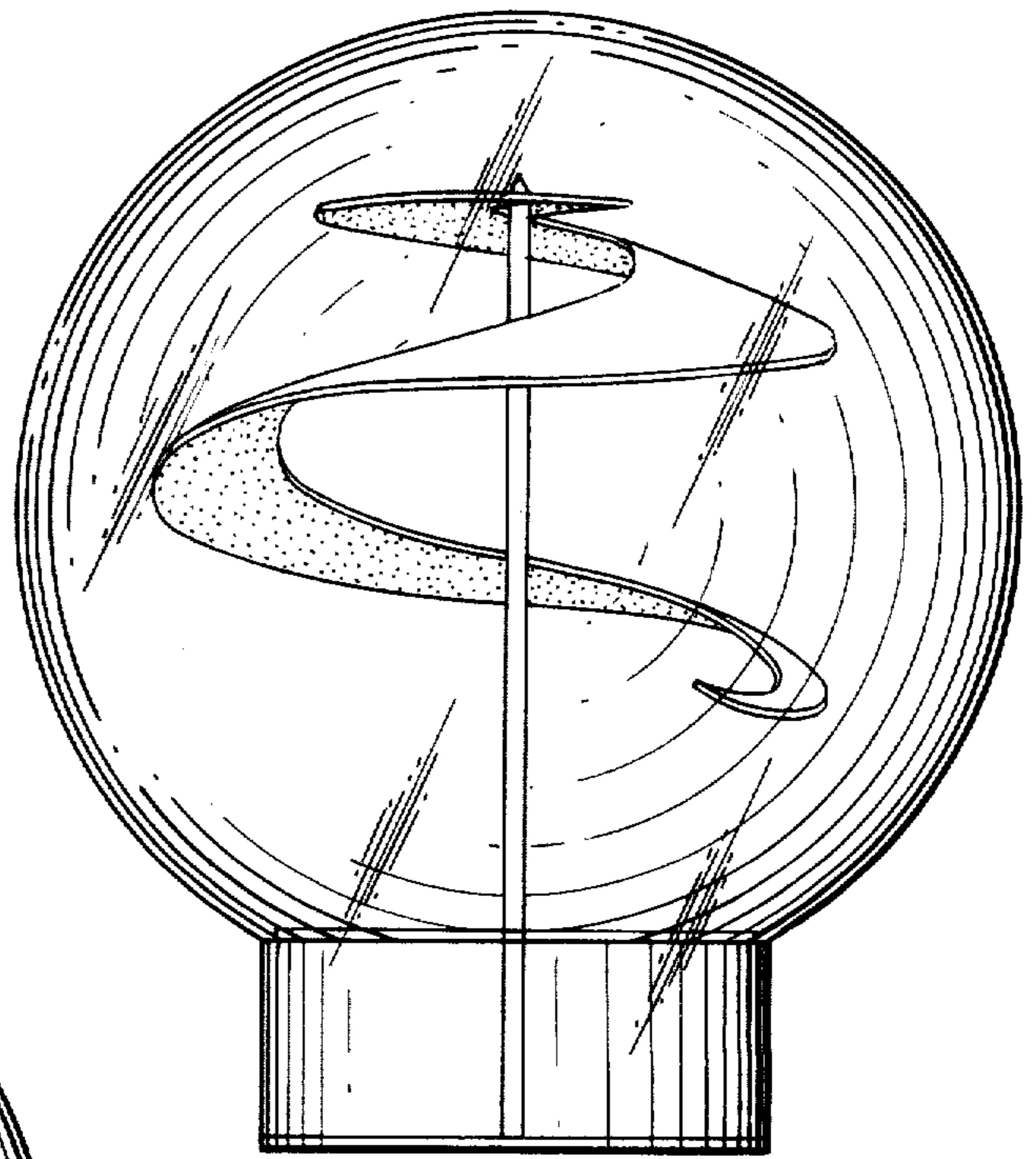


FIG. 5

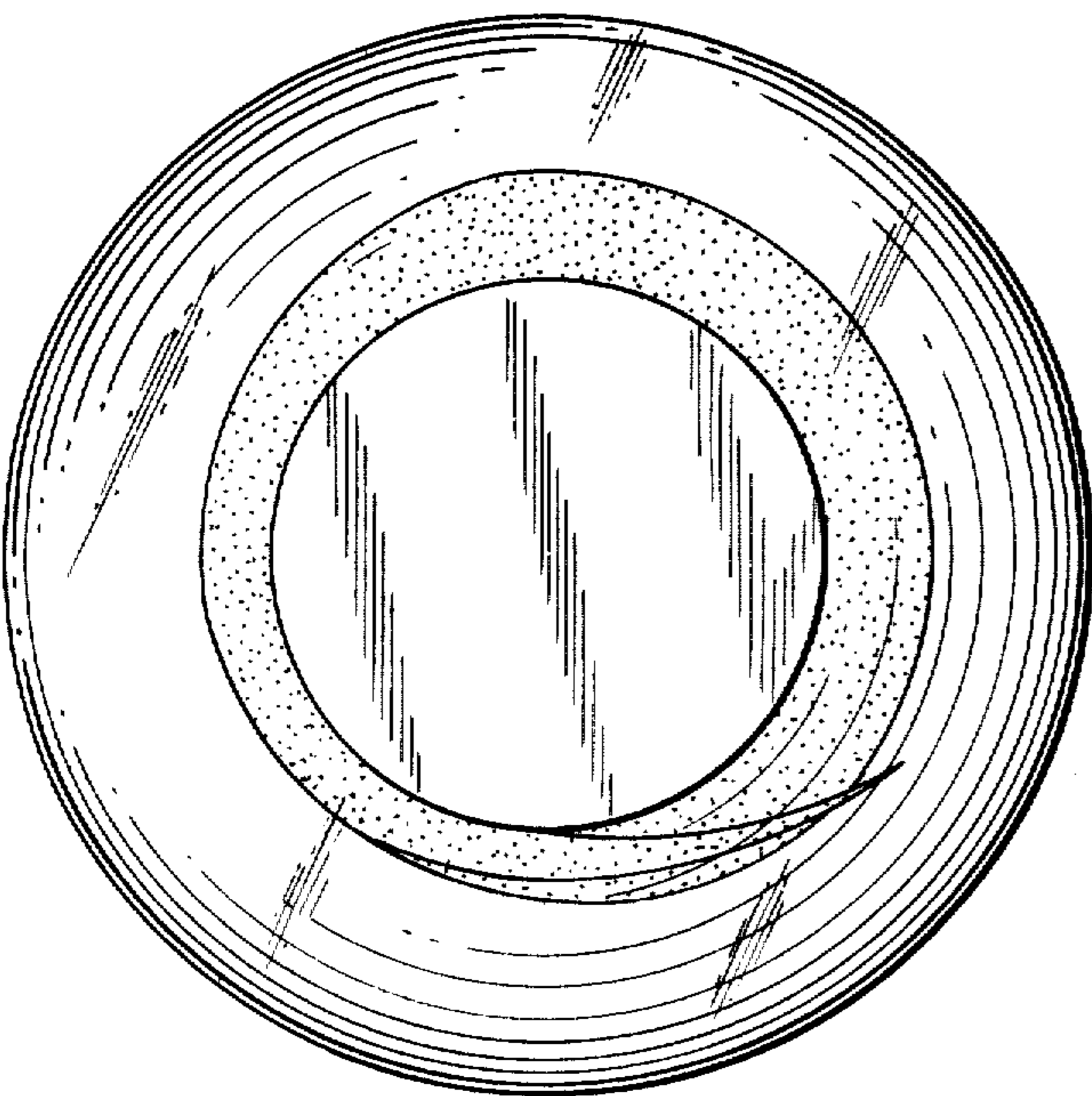


FIG. 6