

[54] POLE LEVEL

[76] Inventors: Gary E. Smith; Edward D. Parks, both of 21060 Meekland Ave., Hayward, Calif. 94541

[**] Term: 14 Years

[21] Appl. No.: 230,353

[22] Filed: Jan. 30, 1981

[51] Int. Cl. D10-04

[52] U.S. Cl. D10/69

[58] Field of Search D10/69; 33/373, 390

[56] References Cited

U.S. PATENT DOCUMENTS

- D. 184,608 3/1959 DeFano 33/373 X
- D. 253,581 12/1979 Vander Werf D10/69
- D. 257,330 10/1980 Vander Werf D10/69

- D. 261,626 11/1981 Vander Werf D10/69
- 3,826,013 7/1974 Baher 33/390

FOREIGN PATENT DOCUMENTS

- 865697 2/1953 Fed. Rep. of Germany 33/373
- 417982 2/1967 Switzerland 33/373

Primary Examiner—Nelson C. Holtje

[57] CLAIM

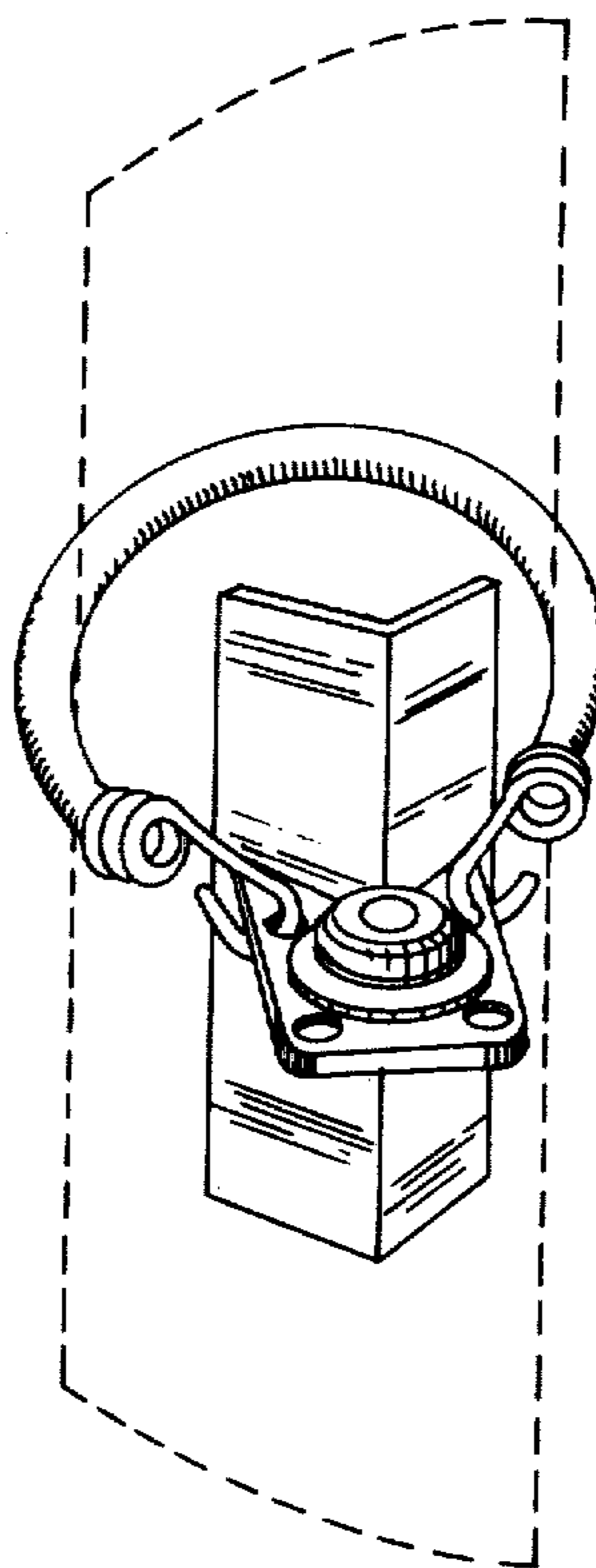
The ornamental design for a pole level, as shown and described.

DESCRIPTION

FIG. 1 is a top, front perspective view of a pole level showing our new design, the broken-line showing of a pole being environmental and forming no part of the claimed design;

FIG. 2 is a top plan view thereof;

FIG. 3 is a right side perspective view thereof.



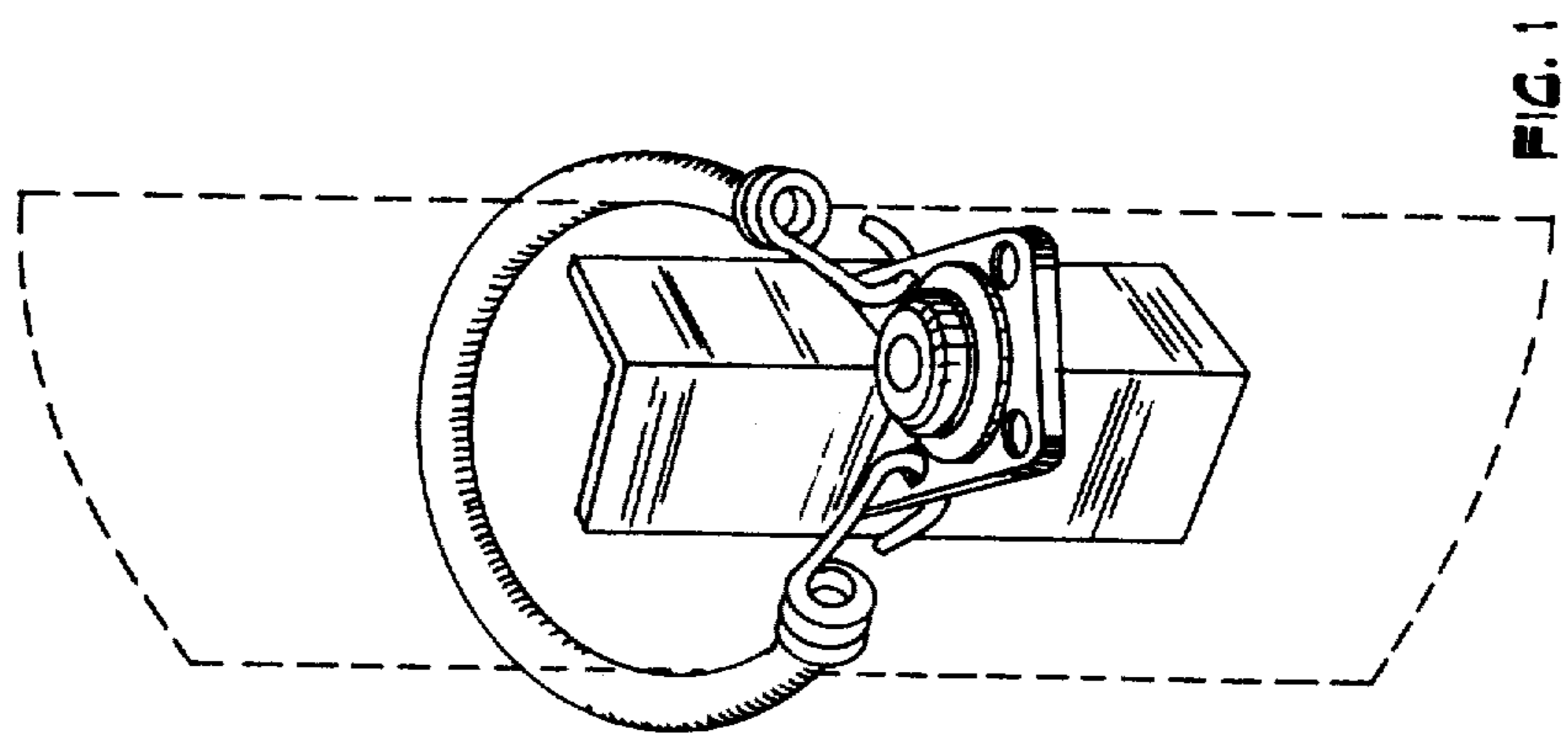


FIG. 1

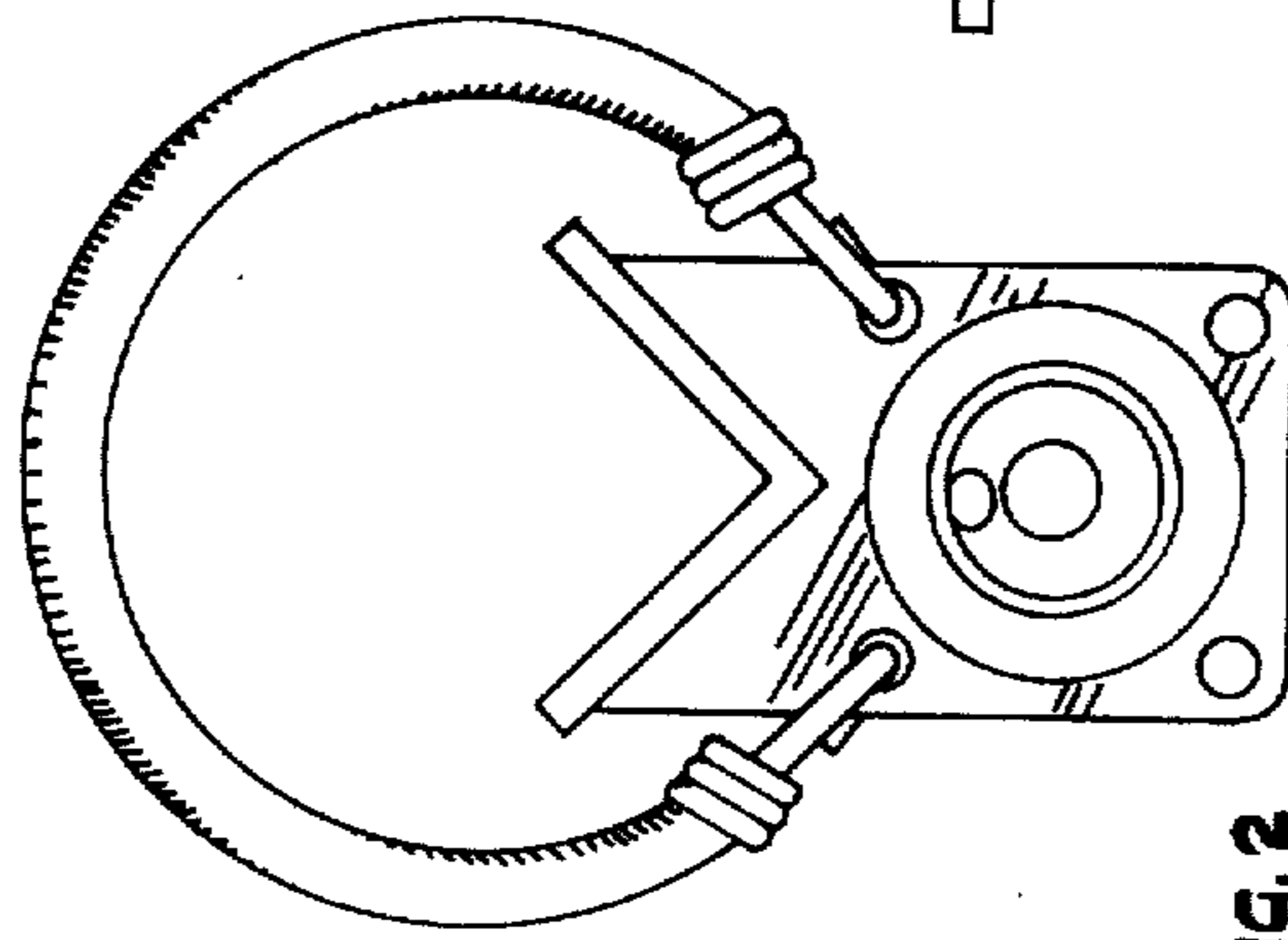


FIG. 2

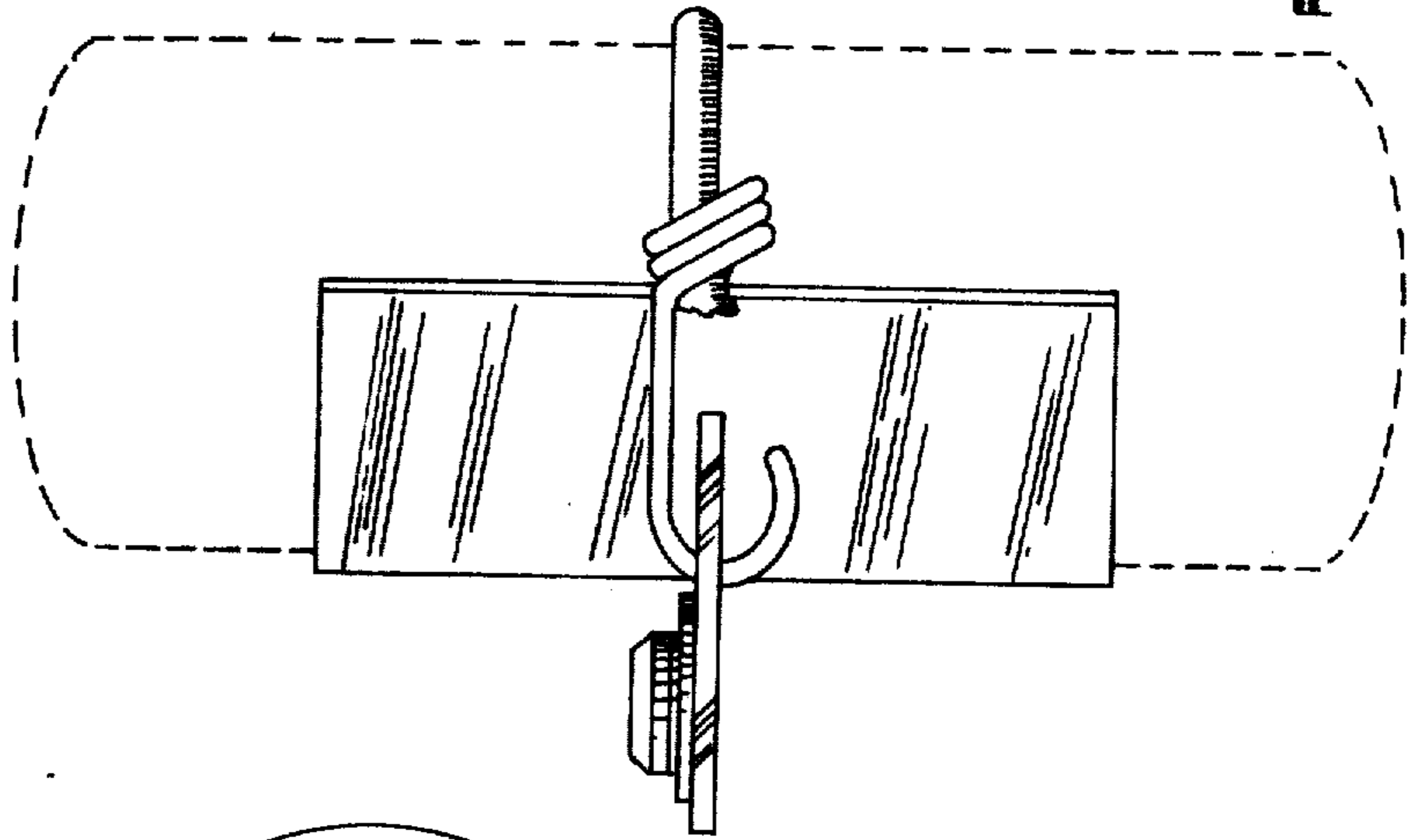


FIG. 3