

[54] STORAGE TRAY FOR ATTACHMENT BENEATH A SHELF

[75] Inventor: William D. Taylor, Wooster, Ohio

[73] Assignee: Rubbermaid Incorporated, Wooster, Ohio

[**] Term: 14 Years

[21] Appl. No.: 277,926

[22] Filed: Jun. 26, 1981

[51] Int. Cl. D6-06

[52] U.S. Cl. D6/199; D7/37; D34/40

[58] Field of Search D6/191, 199; D7/21, D7/37; D34/40, 43; 211/126

[56] References Cited

U.S. PATENT DOCUMENTS

D. 184,525	3/1959	Lurie	D7/37
D. 224,730	9/1972	Propst et al.	D6/191
D. 236,168	7/1975	Johnson	D7/37 X
D. 255,097	5/1980	Carroll et al.	D34/40
D. 265,768	8/1982	Howley	D34/40
2,916,161	12/1959	Schaefer	D34/40 X

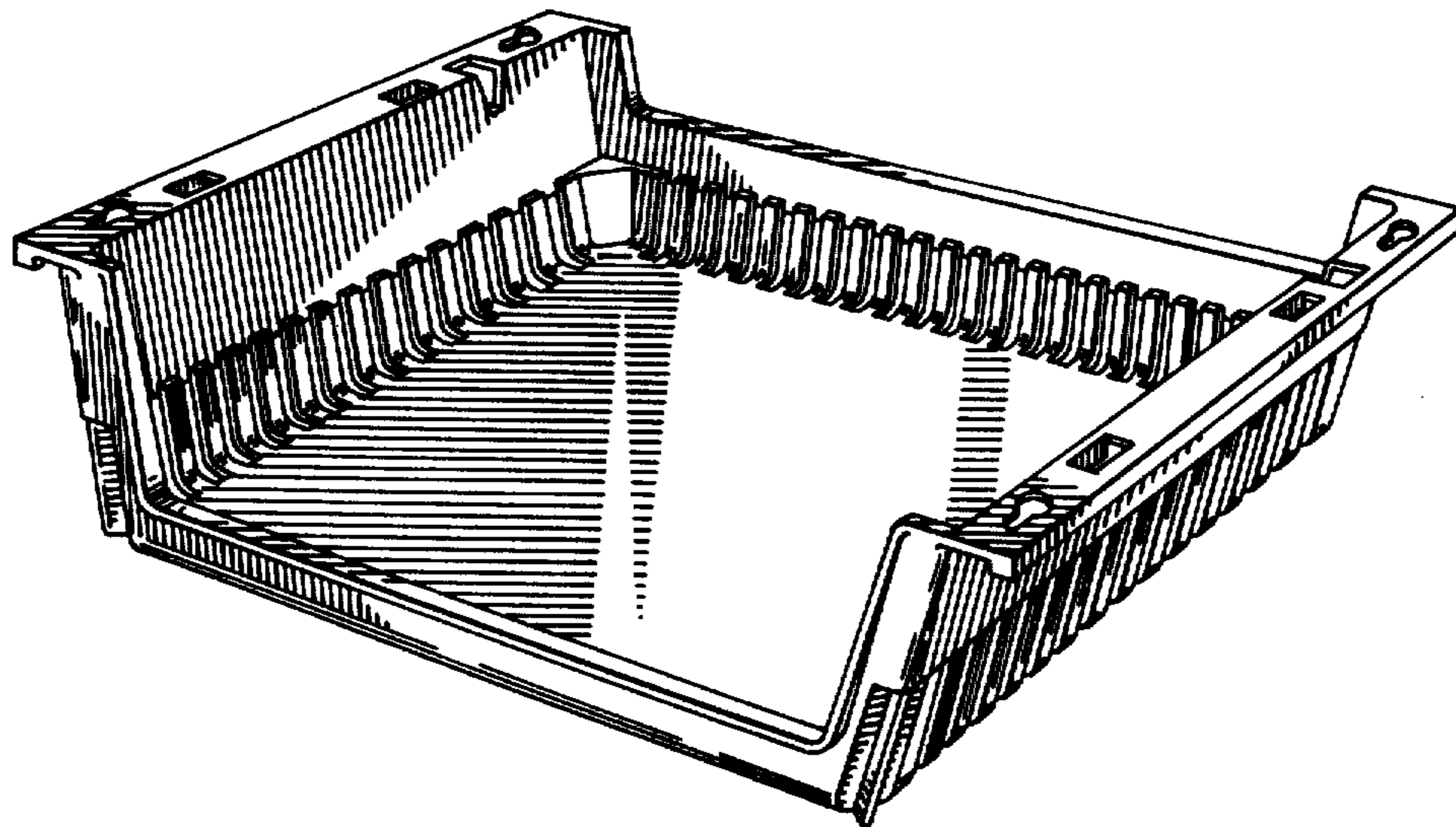
Primary Examiner—Bruce W. Dunkins
Attorney, Agent, or Firm—Hamilton, Renner & Kenner

[57] CLAIM

The ornamental design for a storage tray for attachment beneath a shelf, as shown and described.

DESCRIPTION

FIG. 1 is a front perspective view of a storage tray for attachment beneath a shelf embodying my new design. FIG. 2 is a side elevation thereof. FIG. 3 is a front elevation thereof. FIG. 4 is a rear elevation thereof. The side opposite to that shown in FIG. 2 is a mirror image thereof.



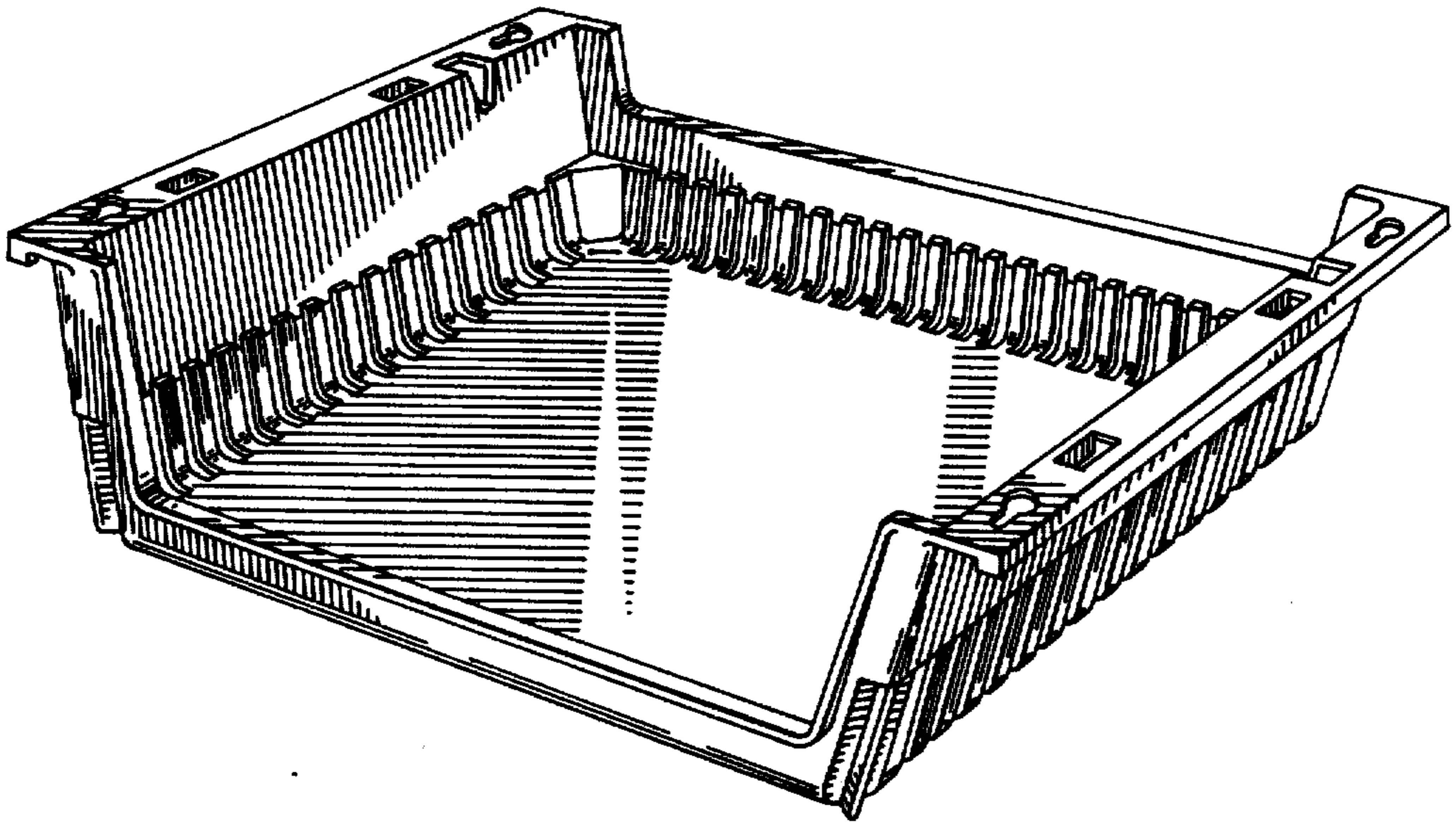


FIG. 1

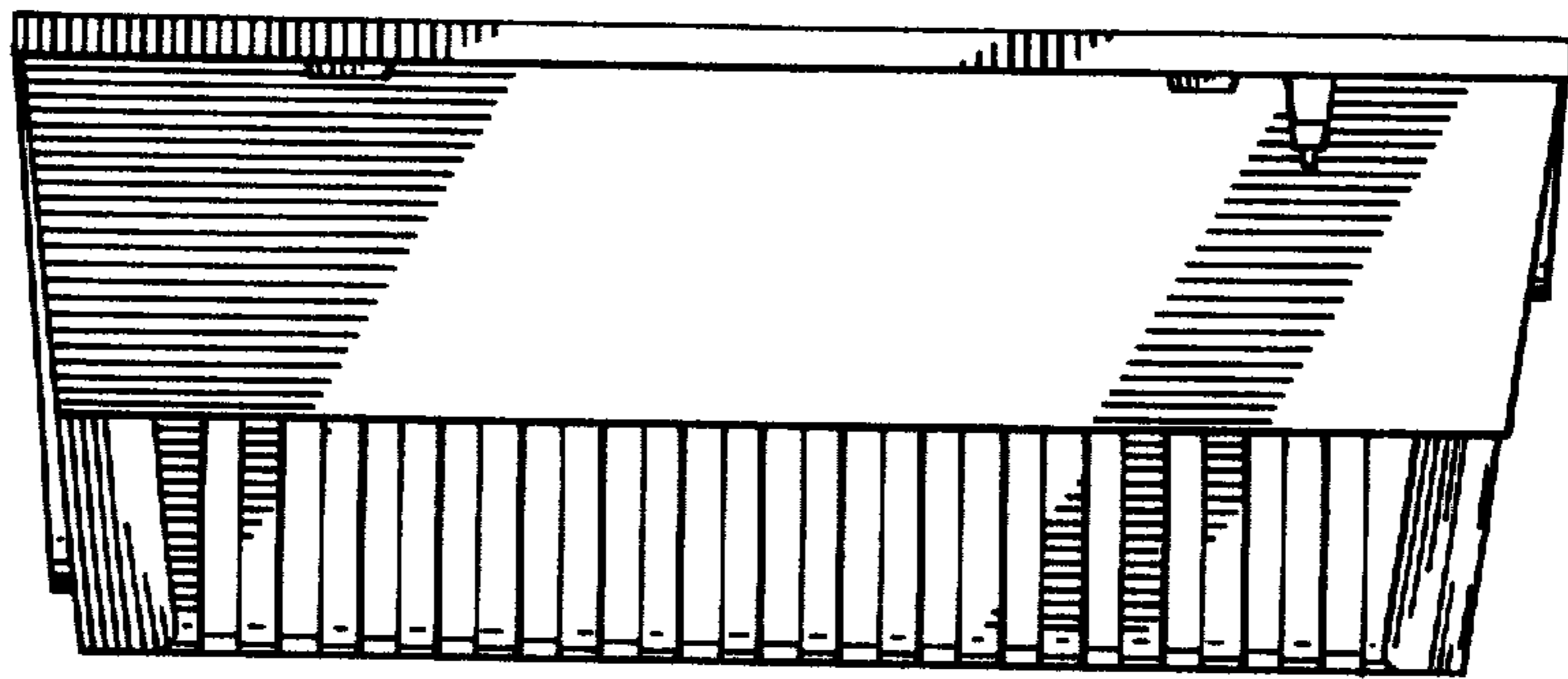


FIG. 2

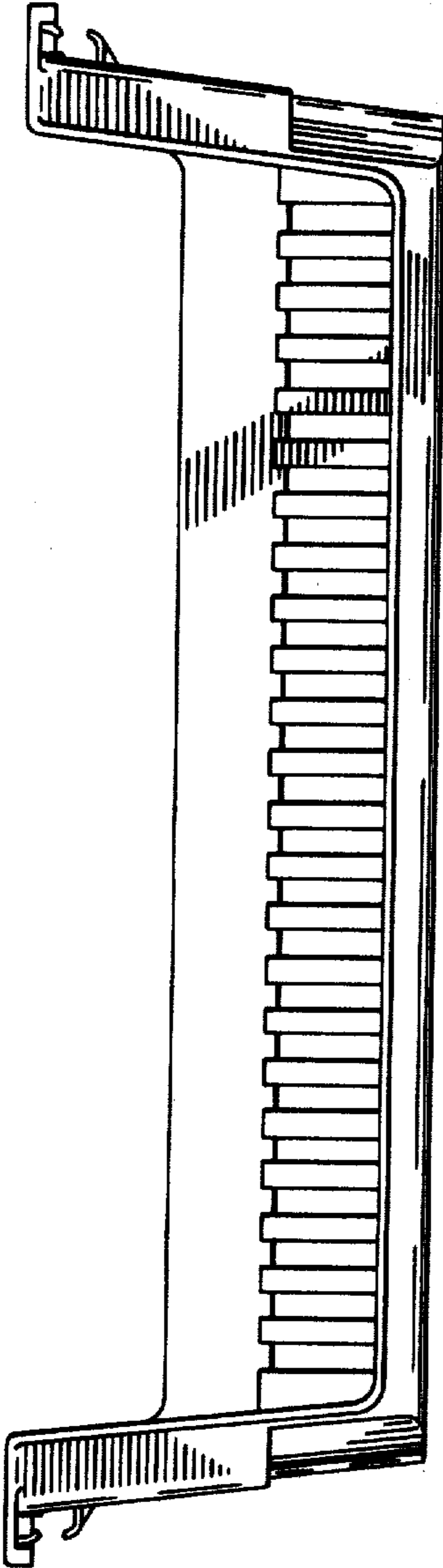


FIG. 3

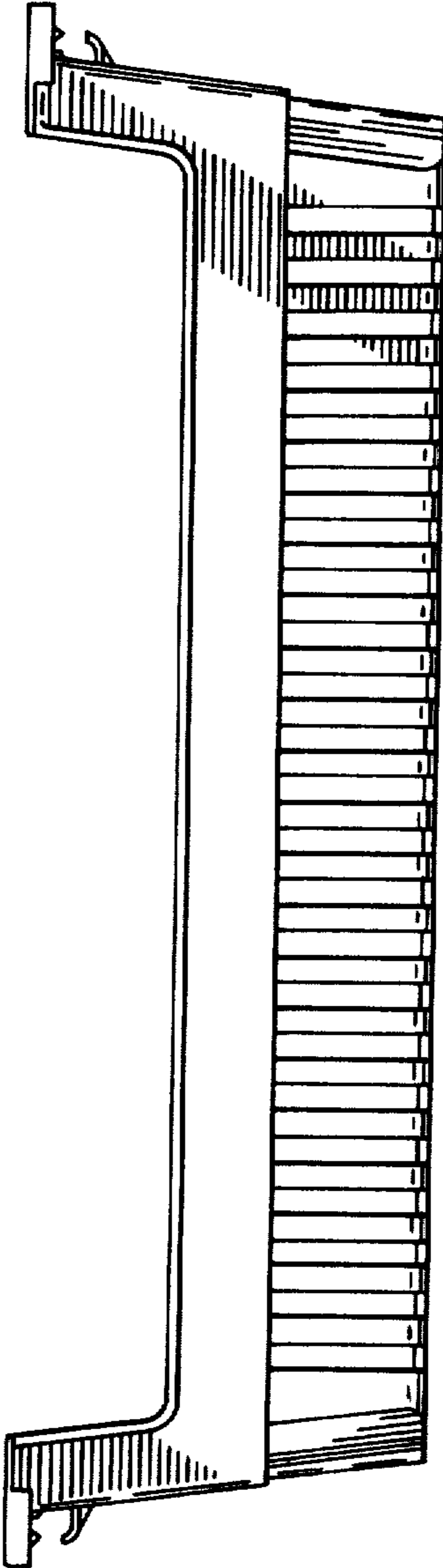


FIG. 4