

[54] COMBINED MAIL AND KEY RACK OR THE LIKE

[75] Inventors: James B. Swett, Altamonte Springs, Fla.; David G. Bragin, Brooklyn, N.Y.

[73] Assignee: Dart Industries Inc., Northbrook, Ill.

[**] Term: 14 Years

[21] Appl. No.: 278,533

[22] Filed: Jun. 29, 1981

[51] Int. Cl. D6-06

[52] U.S. Cl. D6/130; D6/114

[58] Field of Search D6/114, 130, 131; 211/13, 87, 89; D19/90

[56] References Cited

U.S. PATENT DOCUMENTS

- 177,113 5/1876 Fracker .
- D. 232,776 9/1974 Ranseen D19/90
- D. 234,893 4/1975 Colan D6/151

- D. 243,435 2/1977 Hoffman D6/04
- D. 251,708 5/1979 Robinson D6/130
- D. 260,829 9/1981 Creamer D6/114
- 287,623 10/1883 Camp .
- 2,118,465 5/1968 Grose 211/65
- 2,565,440 8/1951 Soref et al. 211/13
- 2,642,191 6/1953 Hobson .

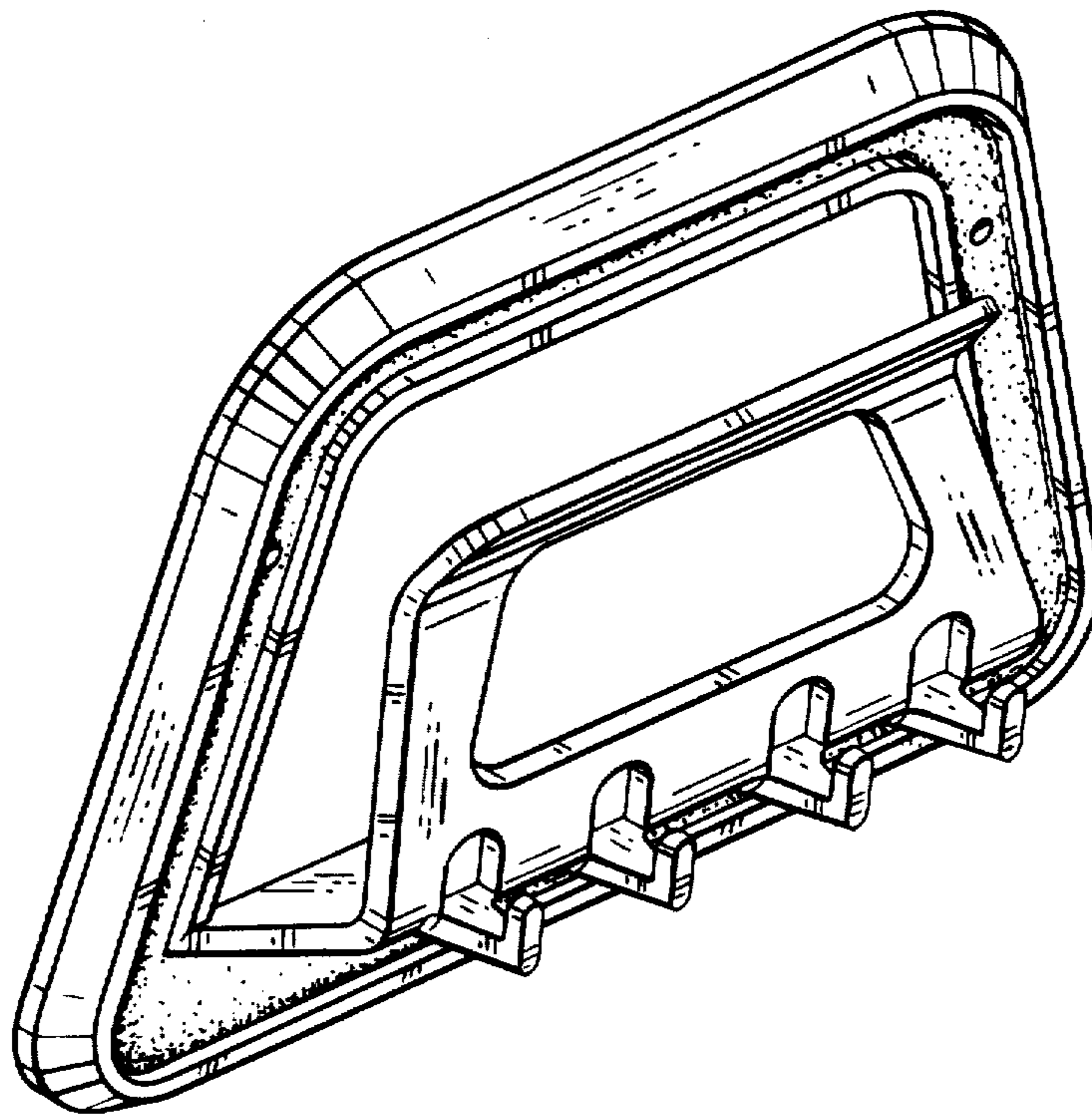
Primary Examiner—B. J. Bullock
Attorney, Agent, or Firm—Leigh B. Taylor

[57] CLAIM

The ornamental design for a combined mail and key rack or the like, substantially as shown and described.

DESCRIPTION

FIG. 1 is a top perspective view of a combined mail and key rack or the like showing our new design; FIG. 2 is a rear elevational view thereof; FIG. 3 is a top plan view thereof; FIG. 4 is a front elevational view thereof; FIG. 5 is a bottom plan view thereof; and FIG. 6 is a side elevational view taken from the right of FIG. 1.



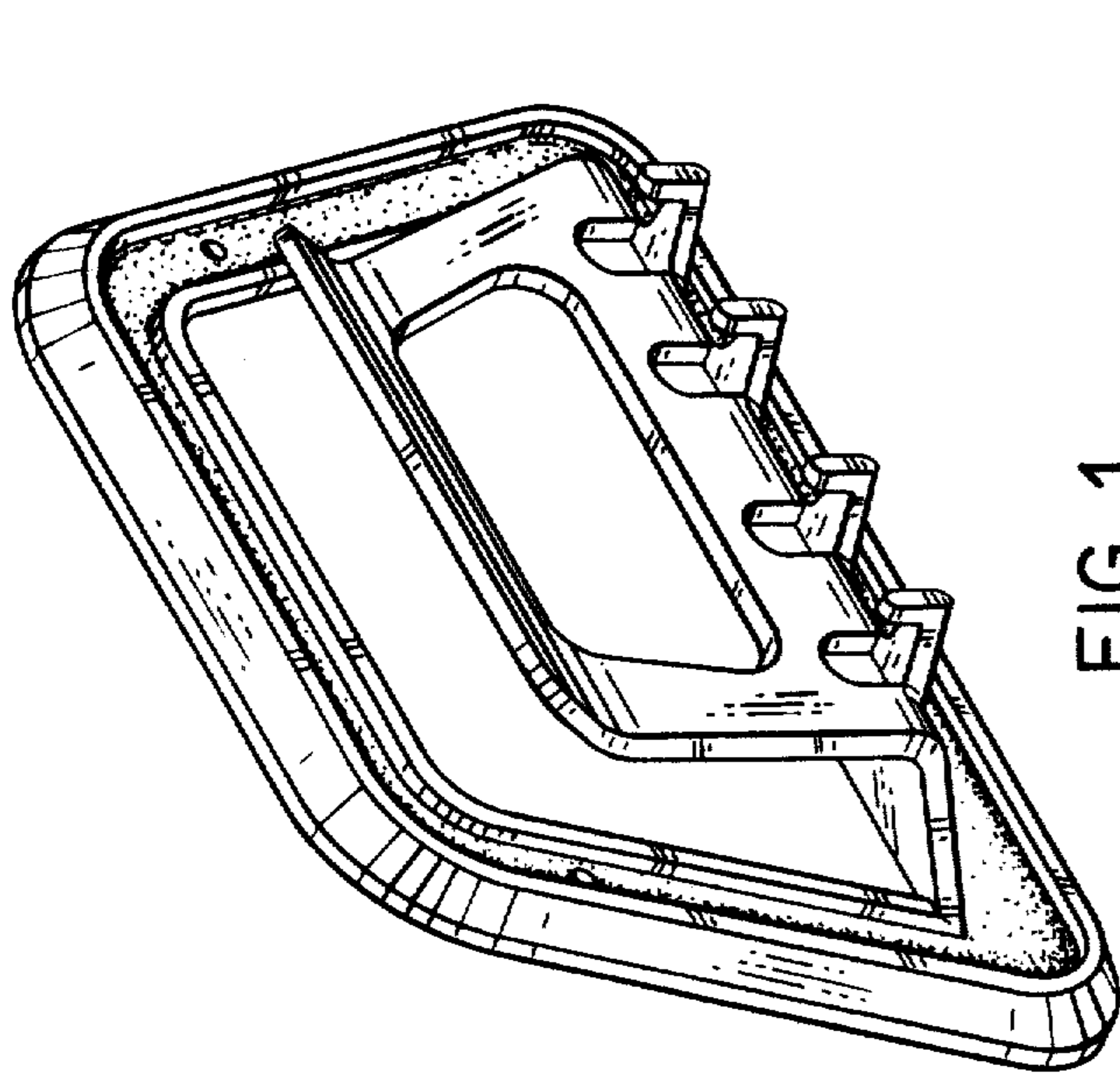


FIG. 1

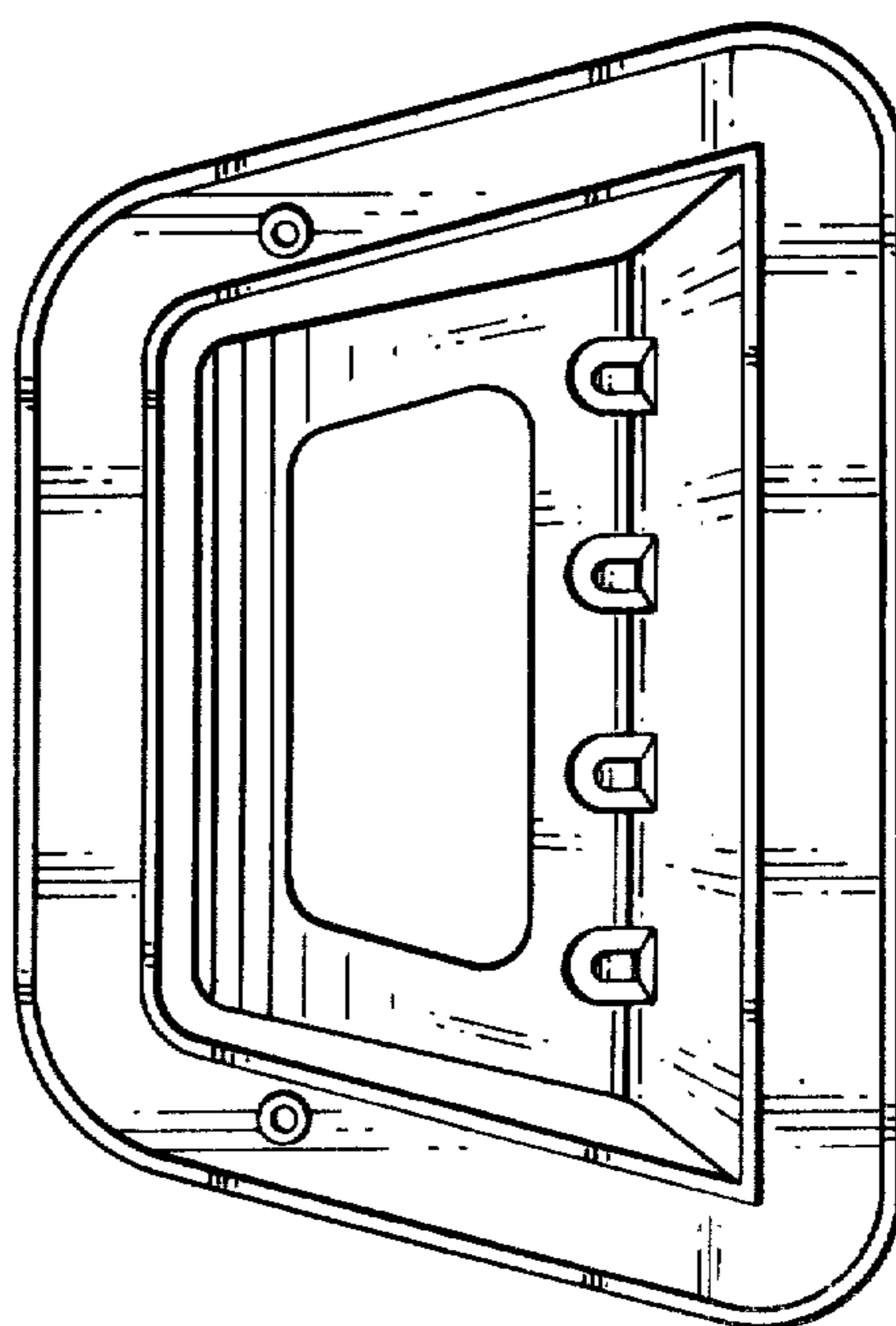


FIG. 2

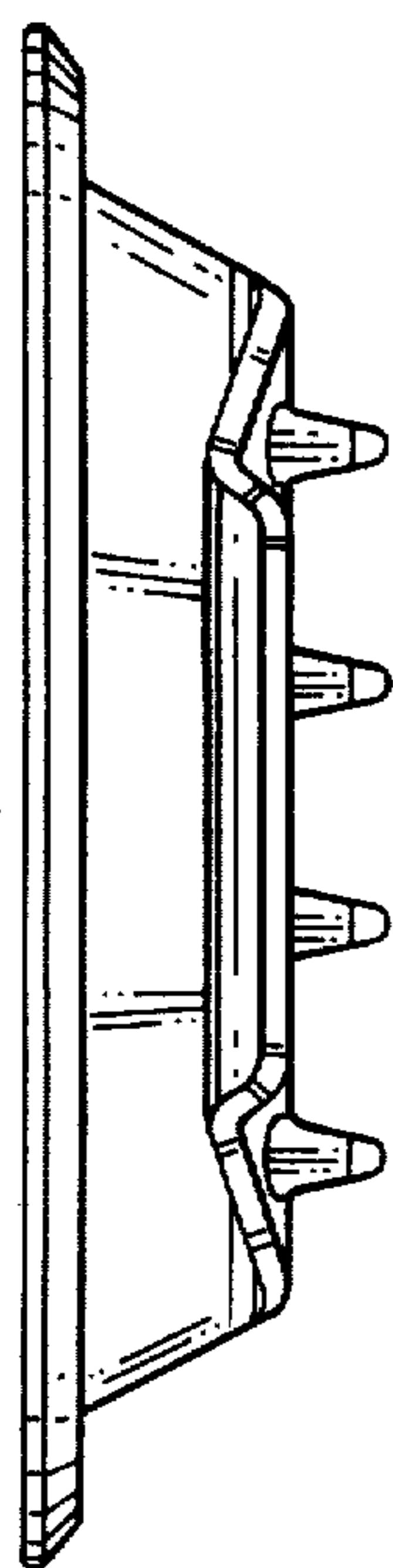


FIG. 3

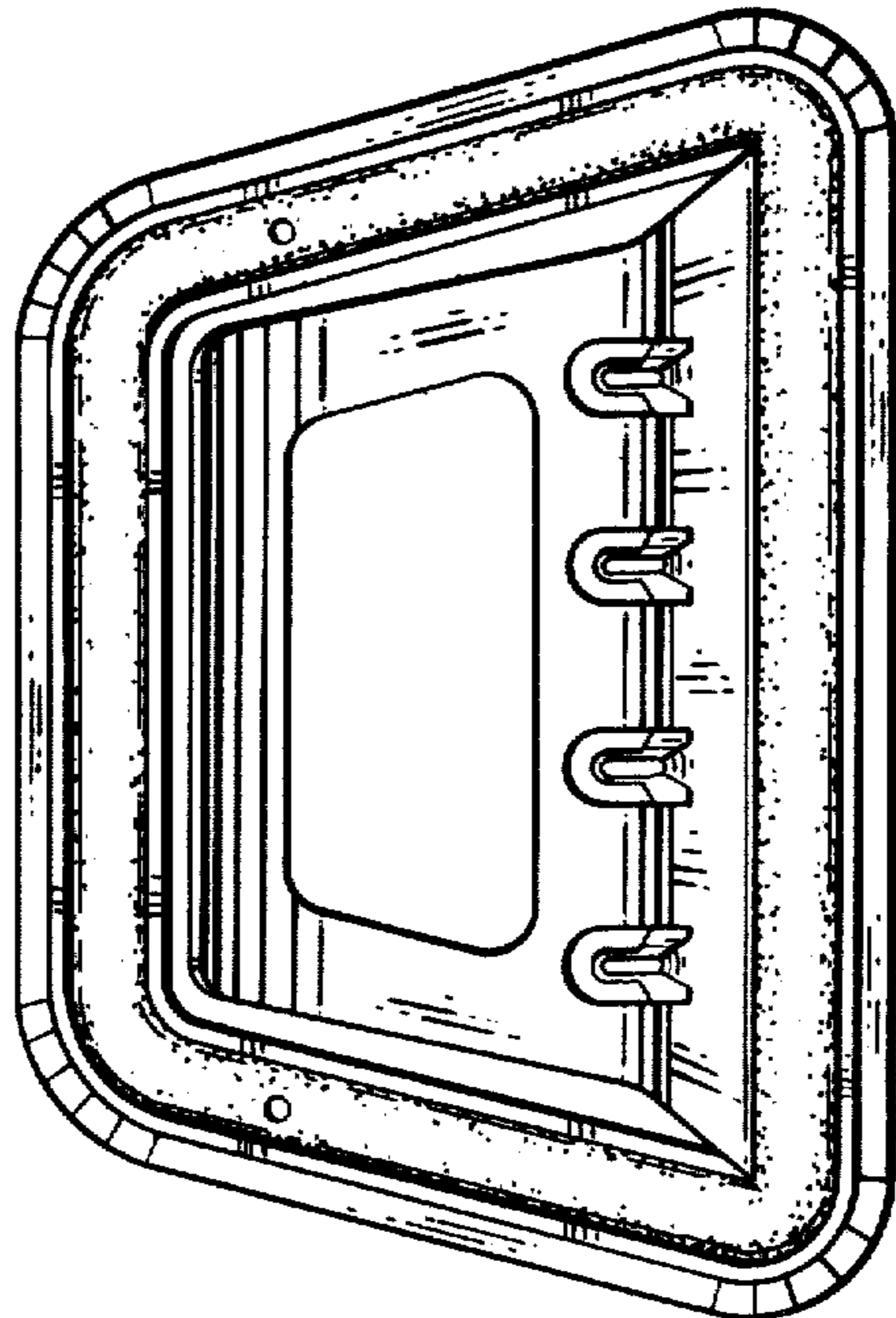


FIG. 4

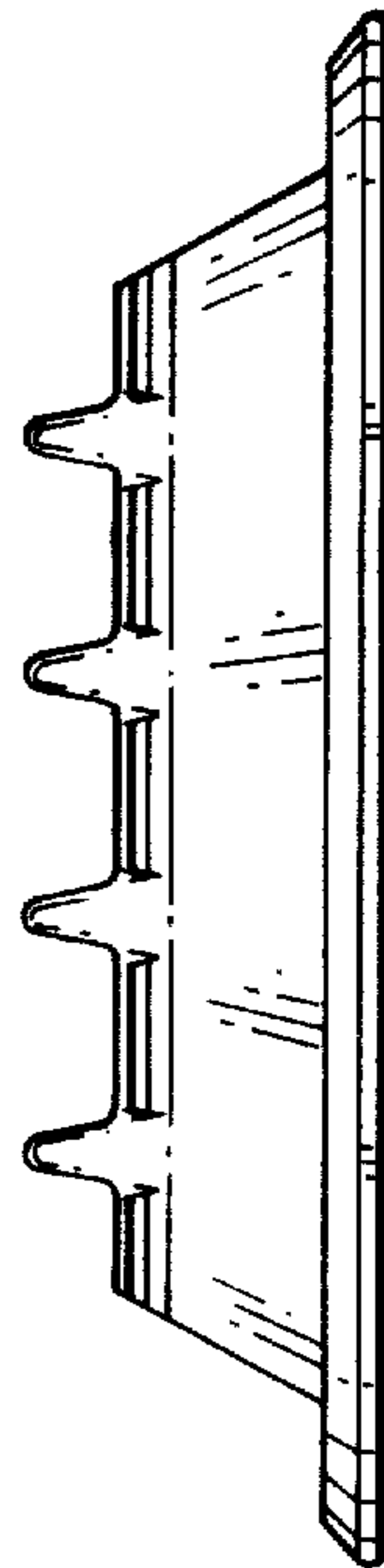


FIG. 5

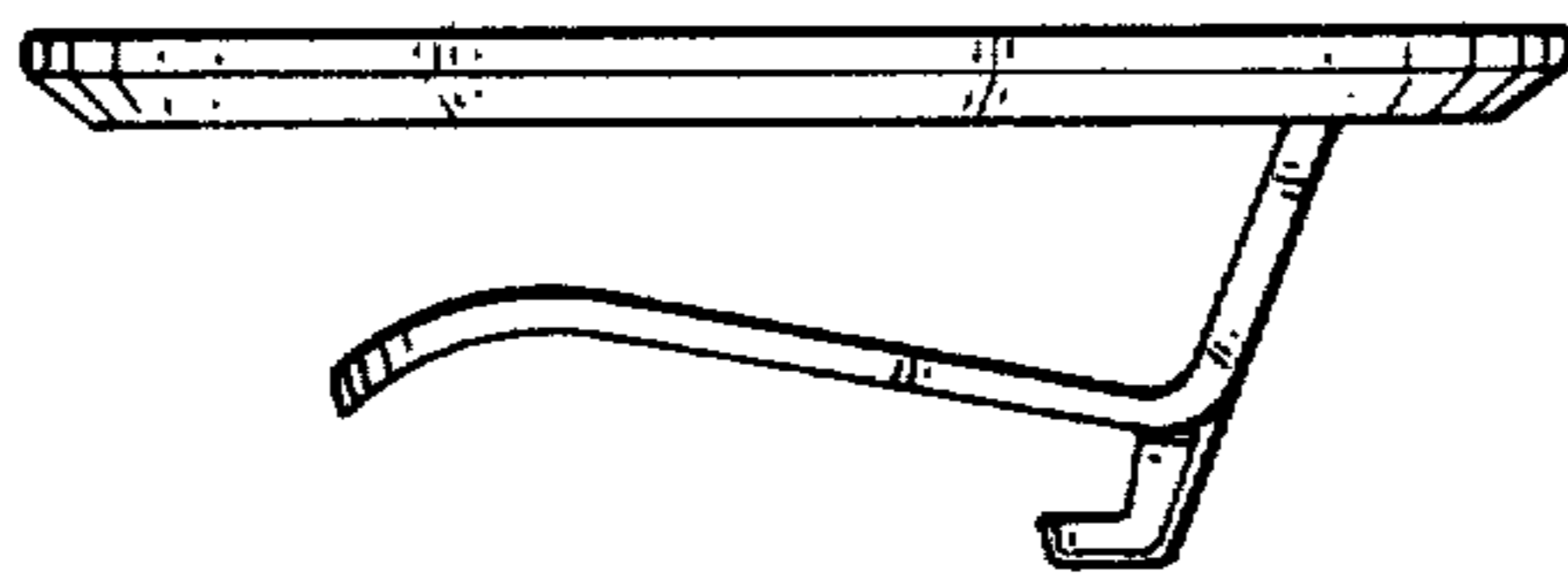


FIG. 6