

[54] PAINT ROLLER FRAME

[75] Inventor: Philip J. Allison, Saint John, Canada

[73] Assignee: T. S. Simms & Co. Limited, Saint John, Canada

[**] Term: 14 Years

[21] Appl. No.: 242,929

[22] Filed: Mar. 12, 1981

[30] Foreign Application Priority Data

Dec. 29, 1980 [CA] Canada 29-12-80-1

[51] Int. Cl. D8-05; D4-04

[52] U.S. Cl. D4/38.1

[58] Field of Search D4/38.1; 15/230.11

[56] References Cited

U.S. PATENT DOCUMENTS

2,467,010 4/1949 Coley 15/230.11 X
3,588,264 6/1971 Mallindine 15/230.11 X

Primary Examiner—Catherine E. Kemper
Attorney, Agent, or Firm—Fetherstonhaugh & Co.

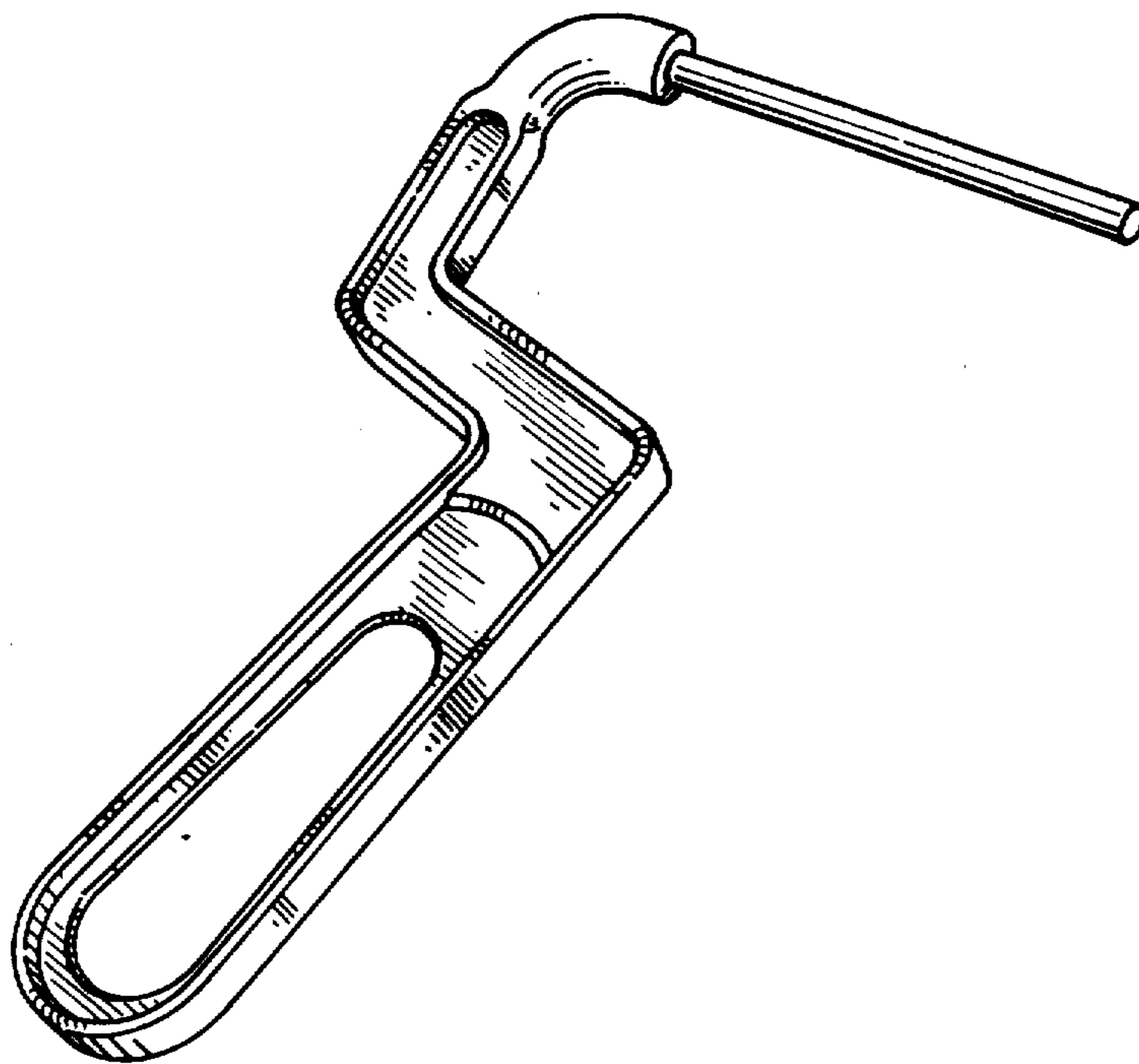
[57] CLAIM

The ornamental design for a paint roller frame, as shown and described.

DESCRIPTION

FIG. 1 is a perspective view of a paint roller frame, showing my new design;

FIG. 2 is a perspective view of the opposite side thereof.



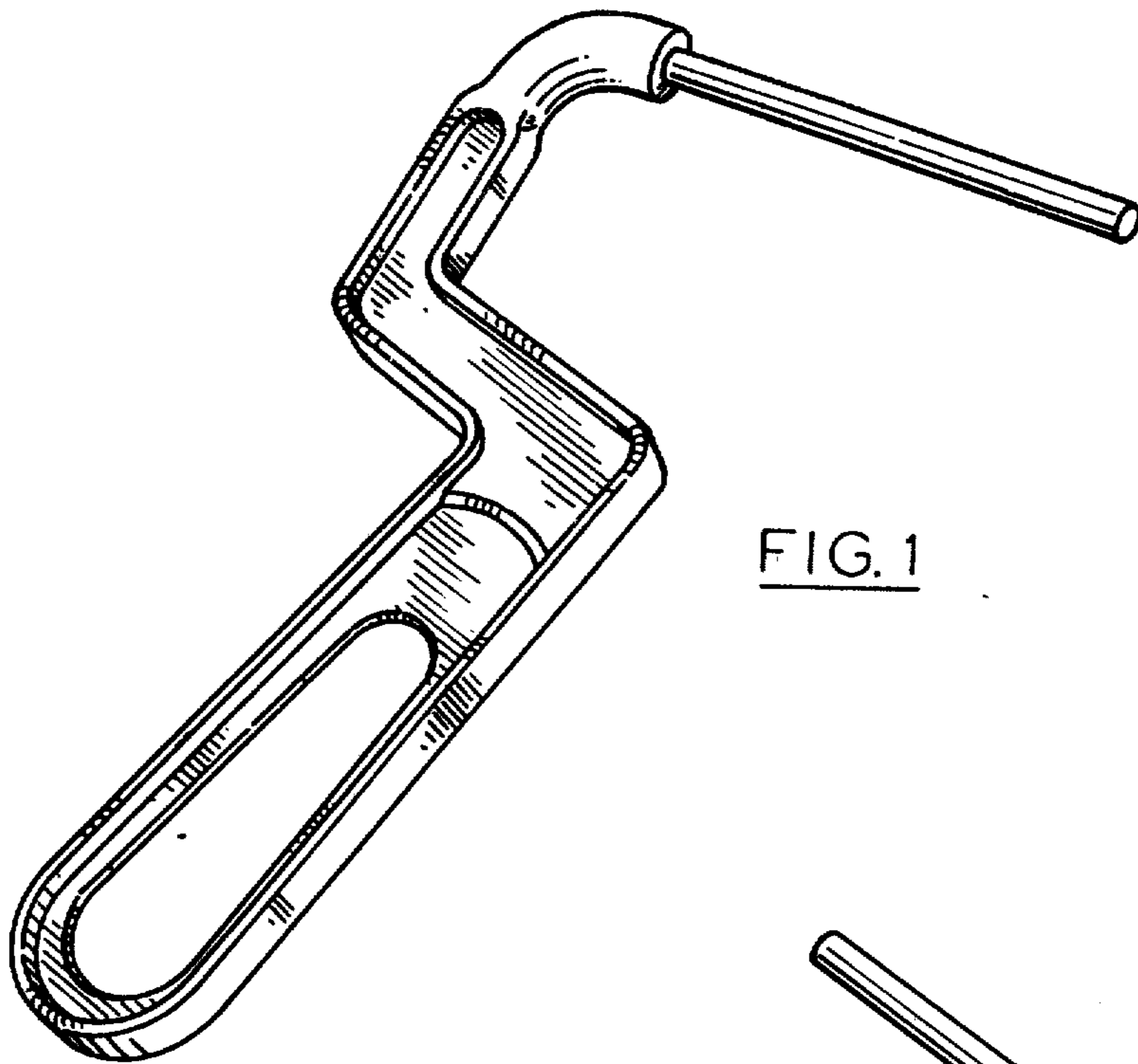


FIG. 1

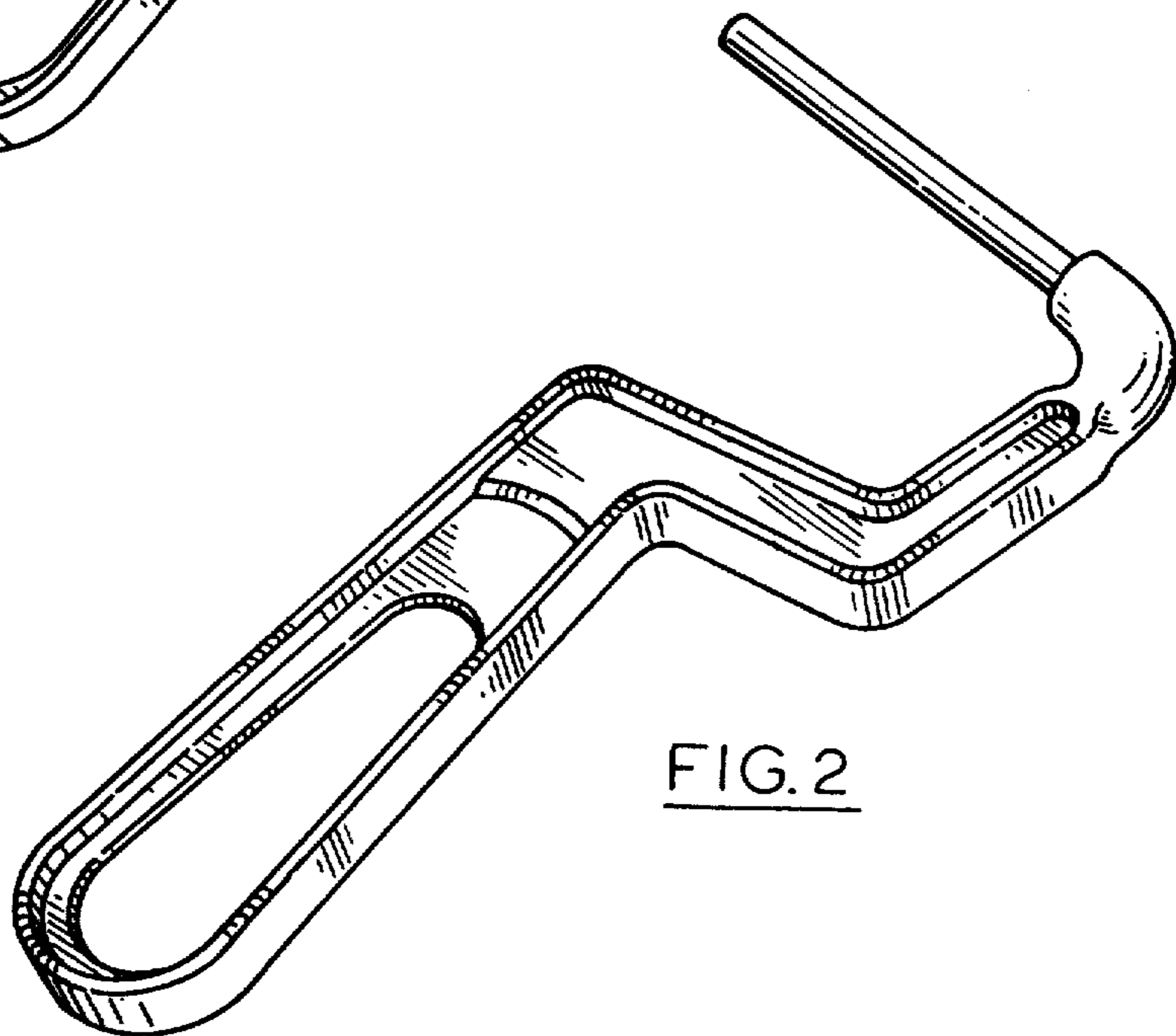


FIG. 2