

[54] STORAGE CONTAINER

[76] Inventors: Donald Wilcox, 165 Pearl St., Seymour, Conn. 06483; Nobile Zambrano, 86 Alps Rd., Branford, Conn. 06405

[**] Term: 14 Years

[21] Appl. No.: 211,396

[22] Filed: Nov. 28, 1980

[51] Int. Cl. D3-02

[52] U.S. Cl. D3/73; D3/74

[58] Field of Search D3/30.1, 36, 33, 35, D3/73, 74, 72; D7/96, 77; 206/387; 220/324

[56] References Cited

U.S. PATENT DOCUMENTS

- D. 209,373 11/1967 Gordon D3/73
- D. 221,317 7/1971 Muller D3/73

- D. 228,580 10/1973 Schurman D3/72
- D. 242,879 12/1976 Schurman D3/35
- D. 249,825 10/1978 Hasulak D3/73

Primary Examiner—George P. Word
Attorney, Agent, or Firm—Curtis, Morris & Safford

[57] CLAIM

The ornamental design for a storage container, as shown and described.

DESCRIPTION

FIG. 1 is a perspective view of a storage container showing our new design, with the lid open;
 FIG. 2 is an enlarged scale left side elevational view with the lid closed;
 FIG. 3 is a front elevational view thereof;
 FIG. 4 is a reduced scale bottom plan view thereof;
 FIG. 5 is a reduced scale top plan view thereof; and
 FIG. 6 is an enlarged scale rear elevational view thereof.

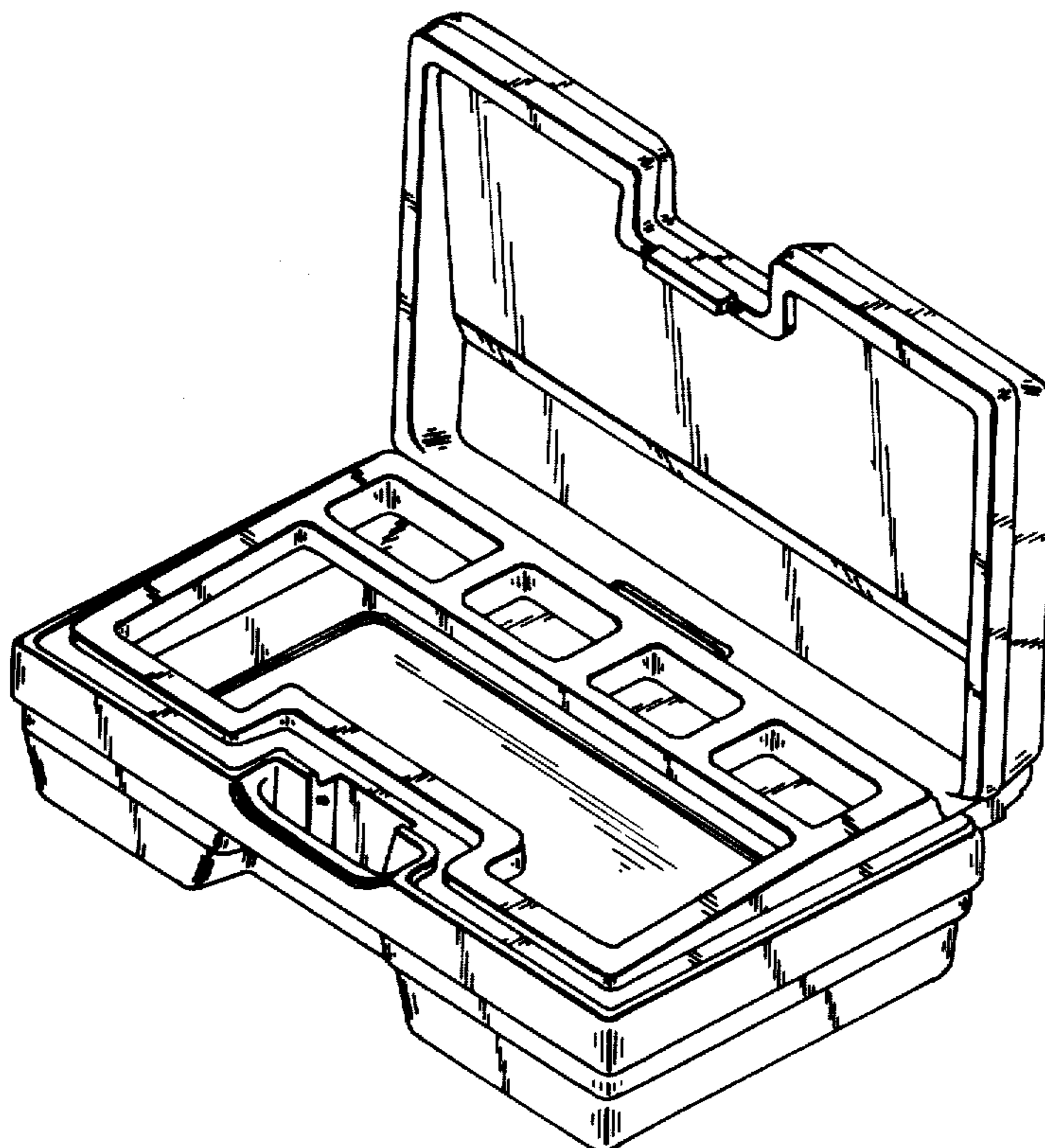


FIG. 1

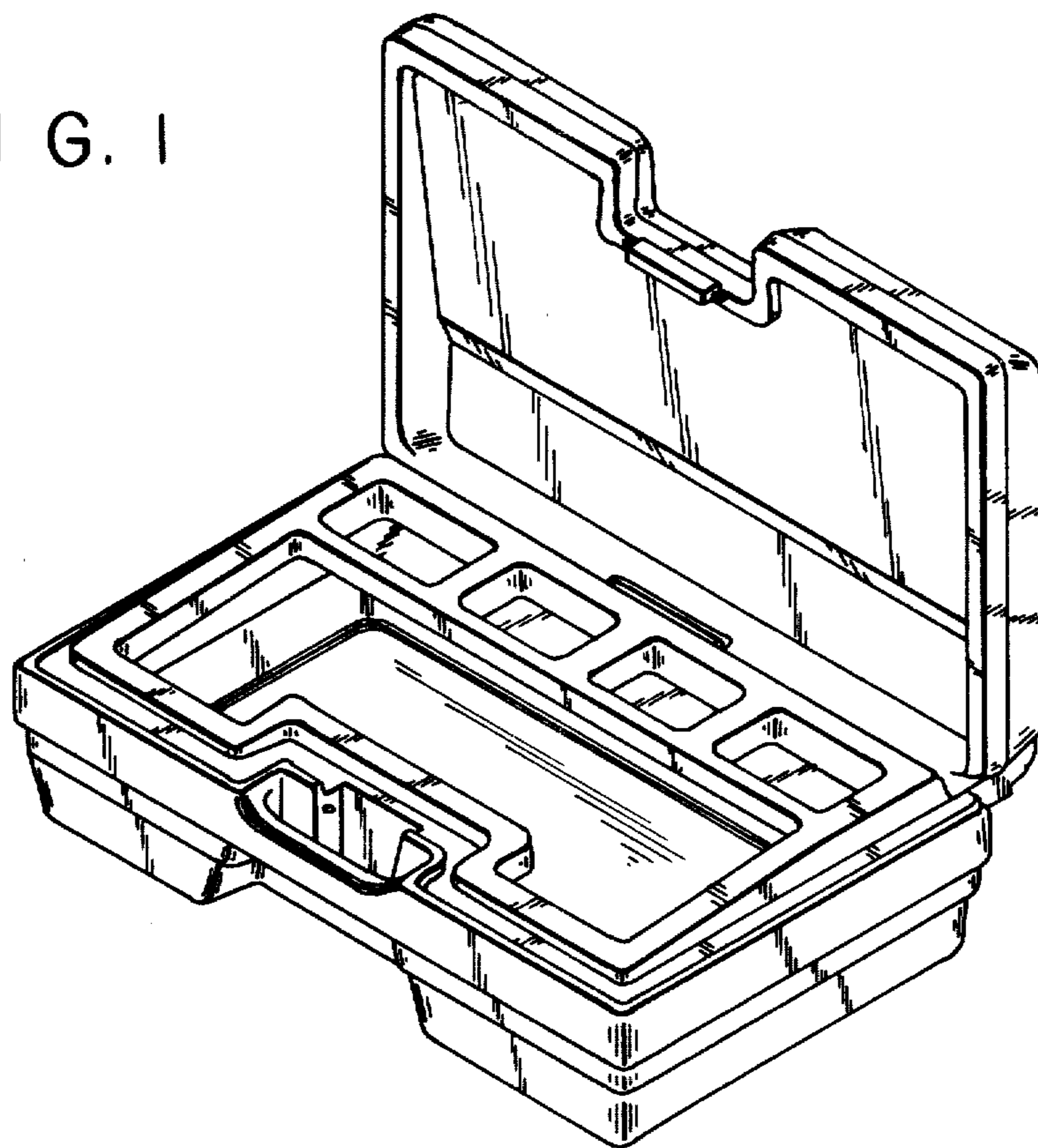
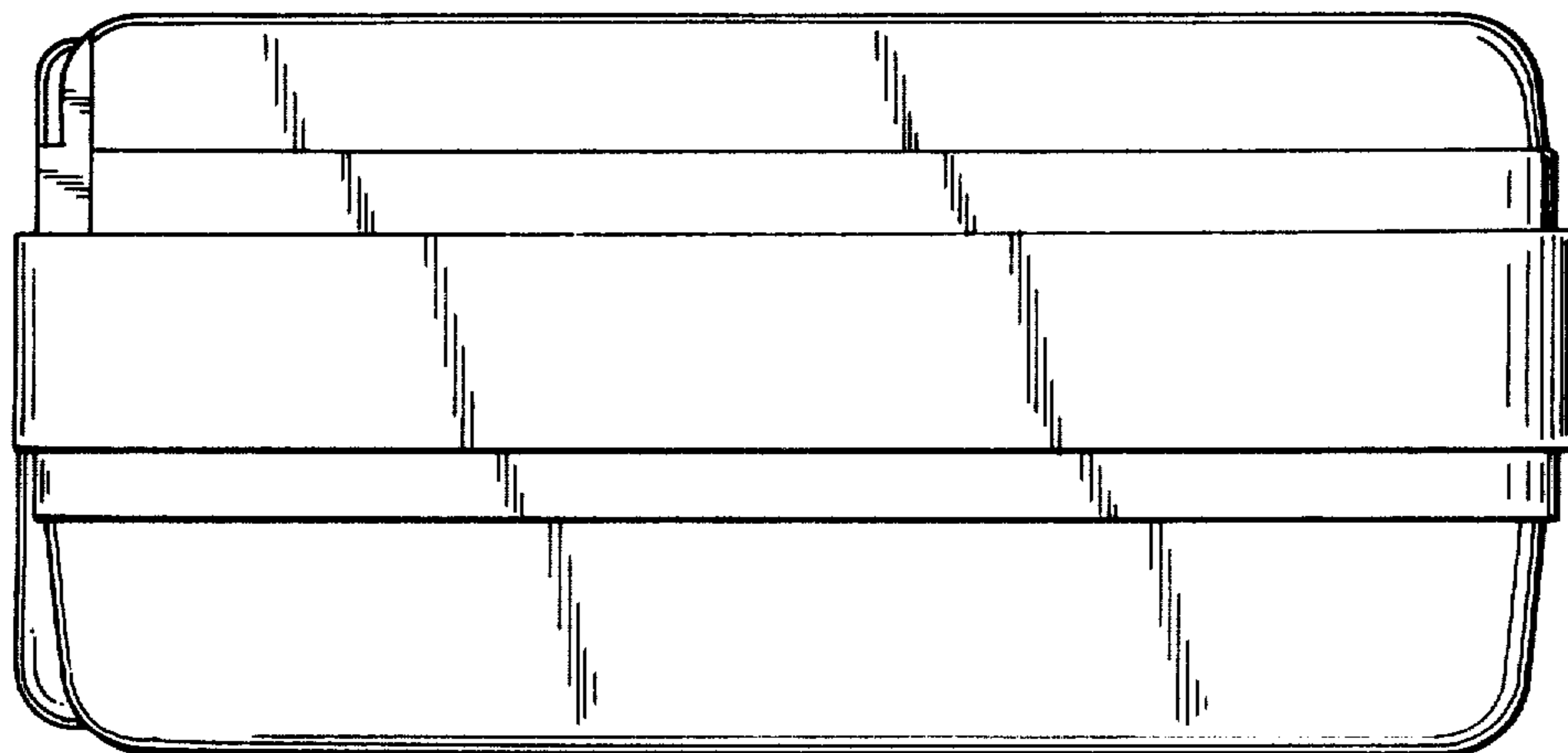


FIG. 2



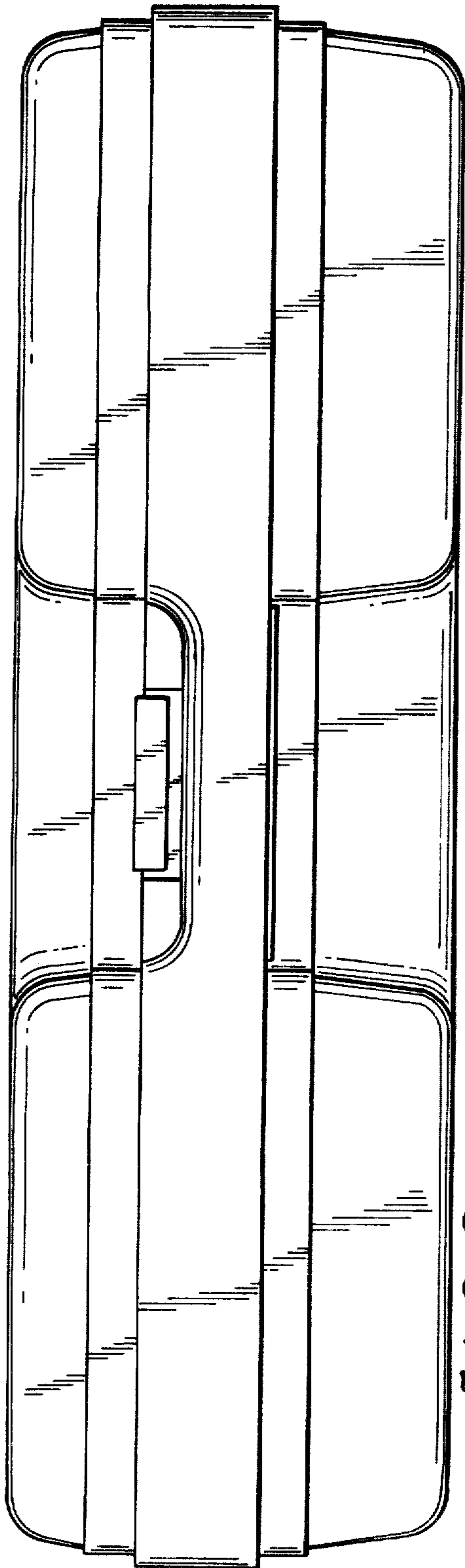


FIG. 3

FIG. 6

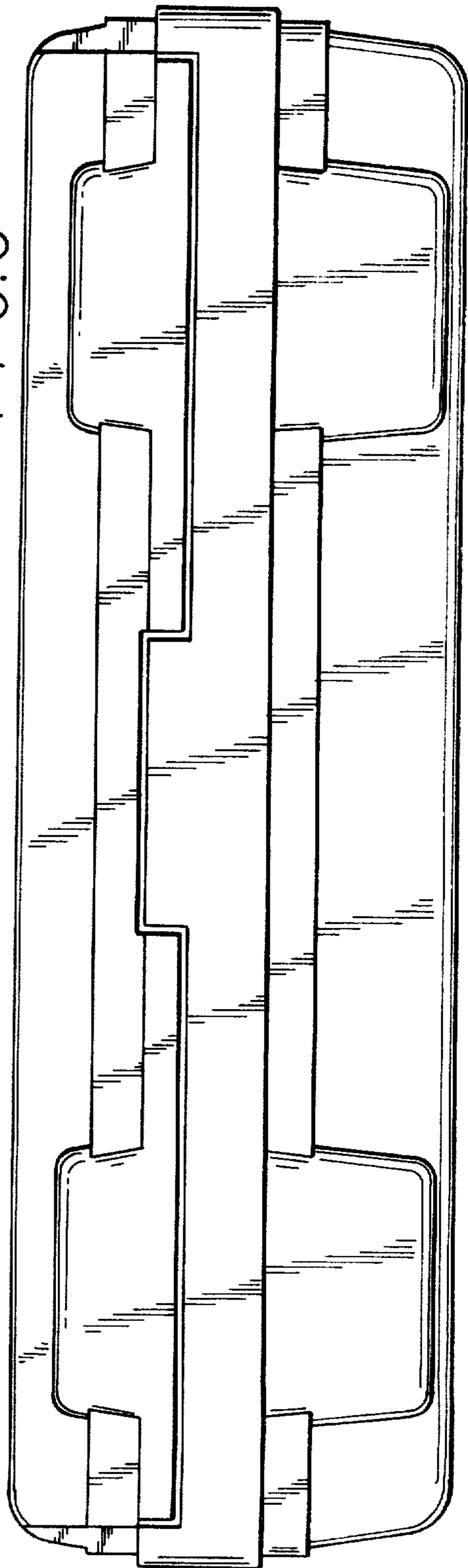


FIG. 4

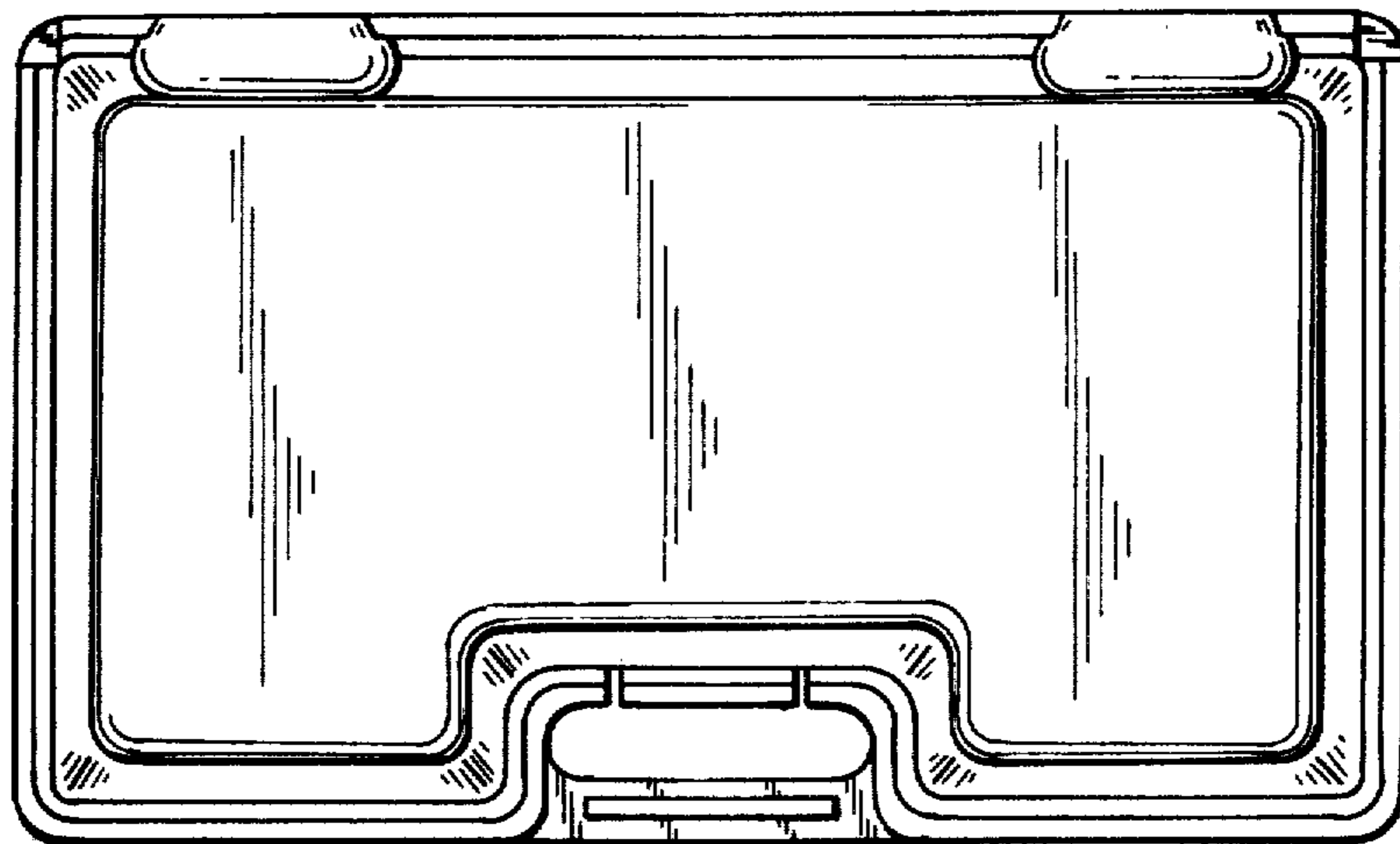


FIG. 5

