

[54] **COMBINED AUTO WINDSHIELD
DETERGENT RESERVOIR, COVER AND
SCRUBBER/SQUEEGEE**

[76] Inventor: **Gary R. Sommers, 18426 Plymouth
Dr., Castro Valley, Calif. 94546**

[**] Term: **7 Years**

[21] Appl. No.: **118,457**

[22] Filed: **Feb. 4, 1980**

[51] Int. Cl. **D7-05**

[52] U.S. Cl. **D32/45**

[58] Field of Search **D7/184; 206/15.2, 15.3;
248/110; 401/118, 120-122, 127; 15/104.92,
257.05, 257.06, 248 R, 248 A, 245**

[56] **References Cited**

U.S. PATENT DOCUMENTS

D. 235,410	6/1975	Epstein	D7/184 X
4,143,792	3/1979	Rex	15/245 X
4,200,949	5/1980	Heniff, Jr.	15/257.06

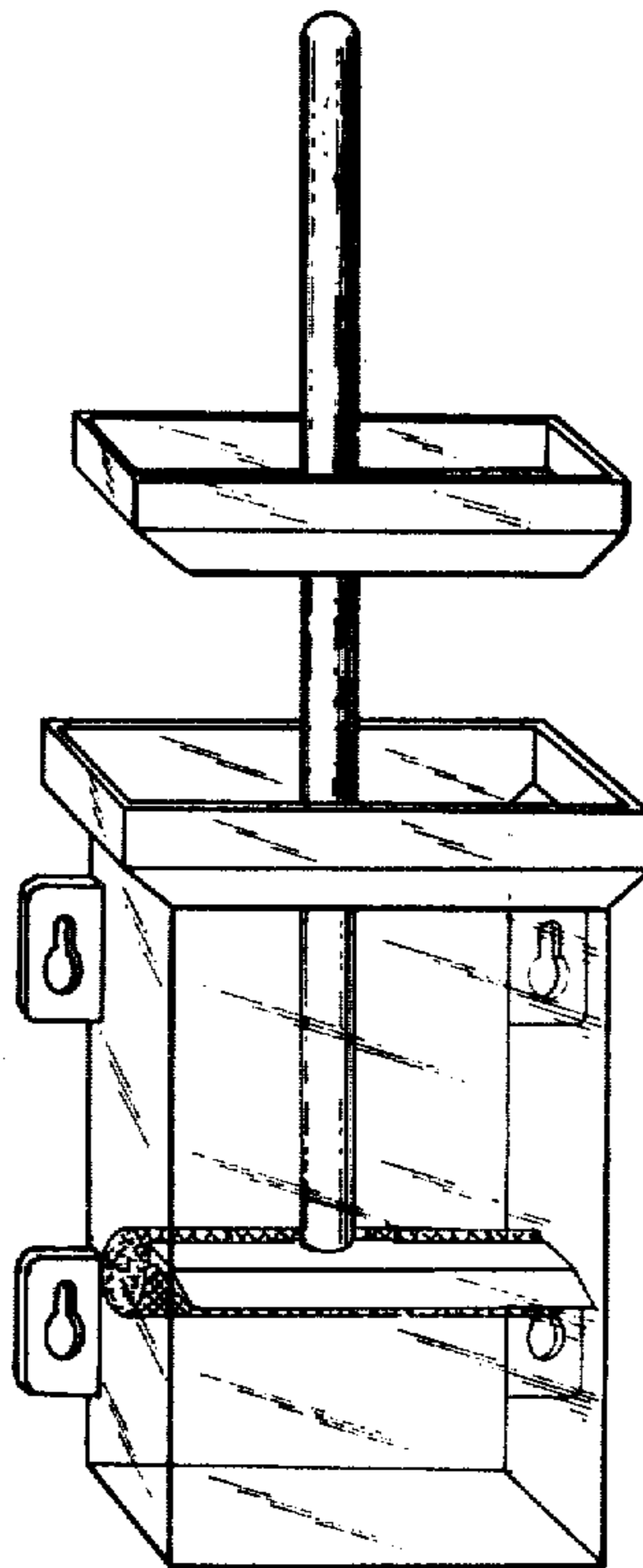
Primary Examiner—Catherine E. Kemper
Attorney, Agent, or Firm—Linval B. Castle

[57] **CLAIM**

The ornamental design for a combined auto windshield detergent reservoir, cover, and scrubber/squeegee, as shown.

DESCRIPTION

FIG. 1 is a perspective view of a combined auto windshield detergent reservoir, cover, and scrubber/squeegee partially removed;
FIG. 2 is a front elevation view thereof;
FIG. 3 is a side elevation view thereof; and
FIG. 4 is a top view of the reservoir and cover portions.



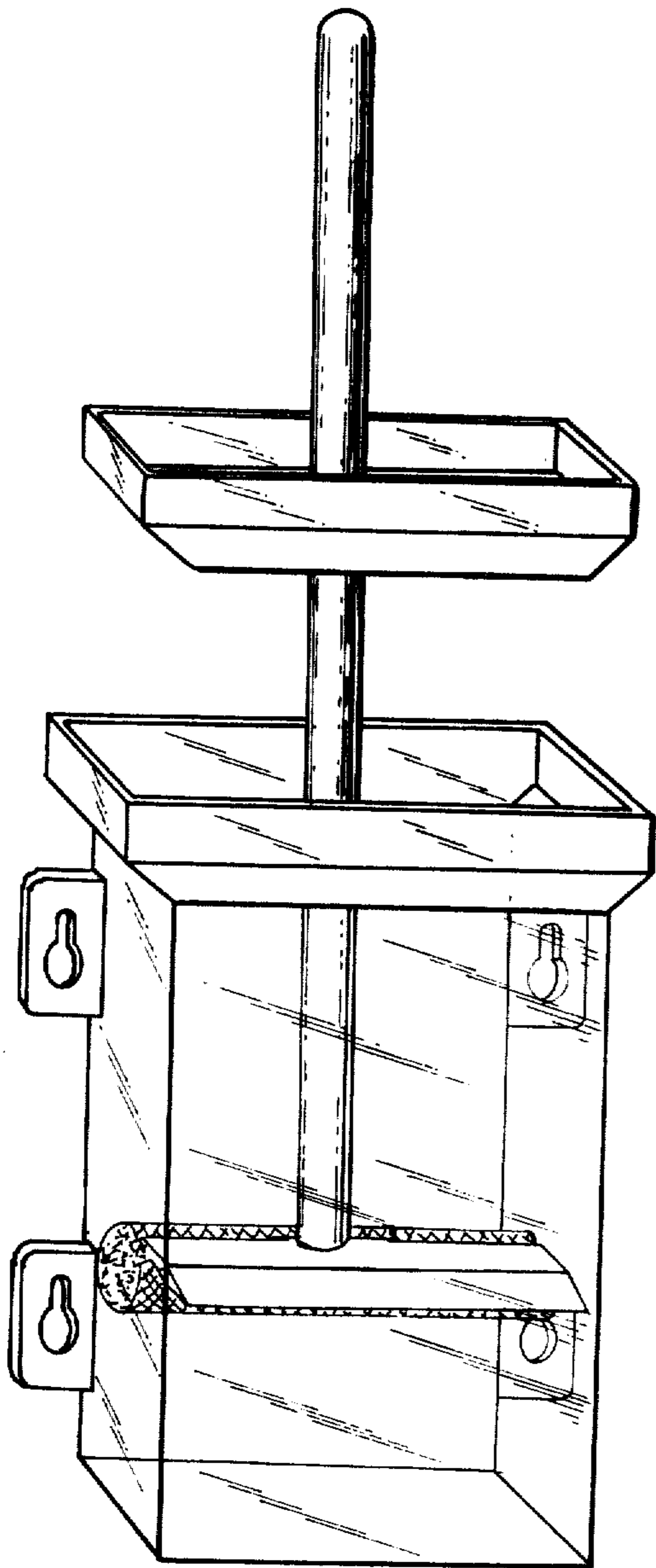


FIG. 1

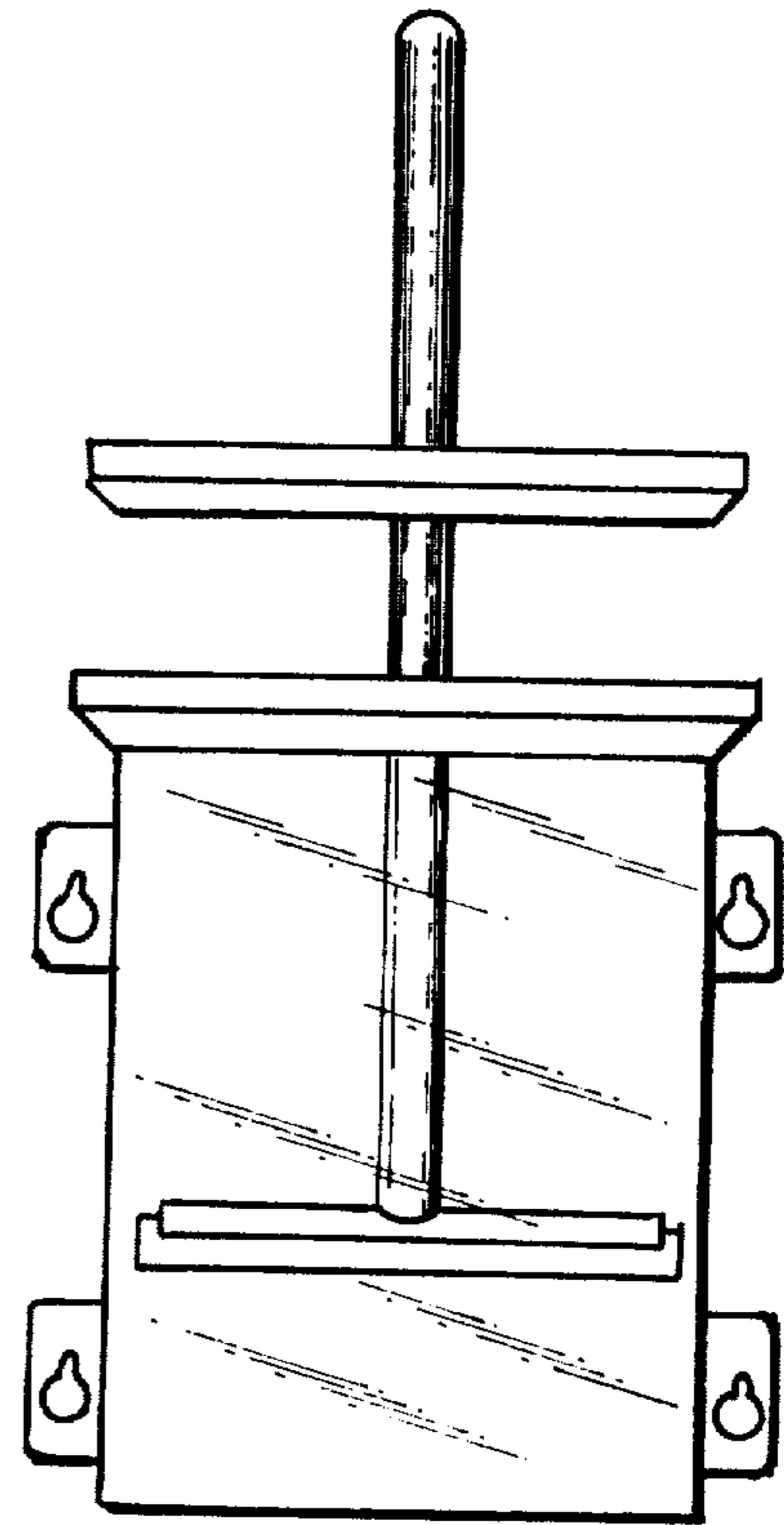


FIG. 2

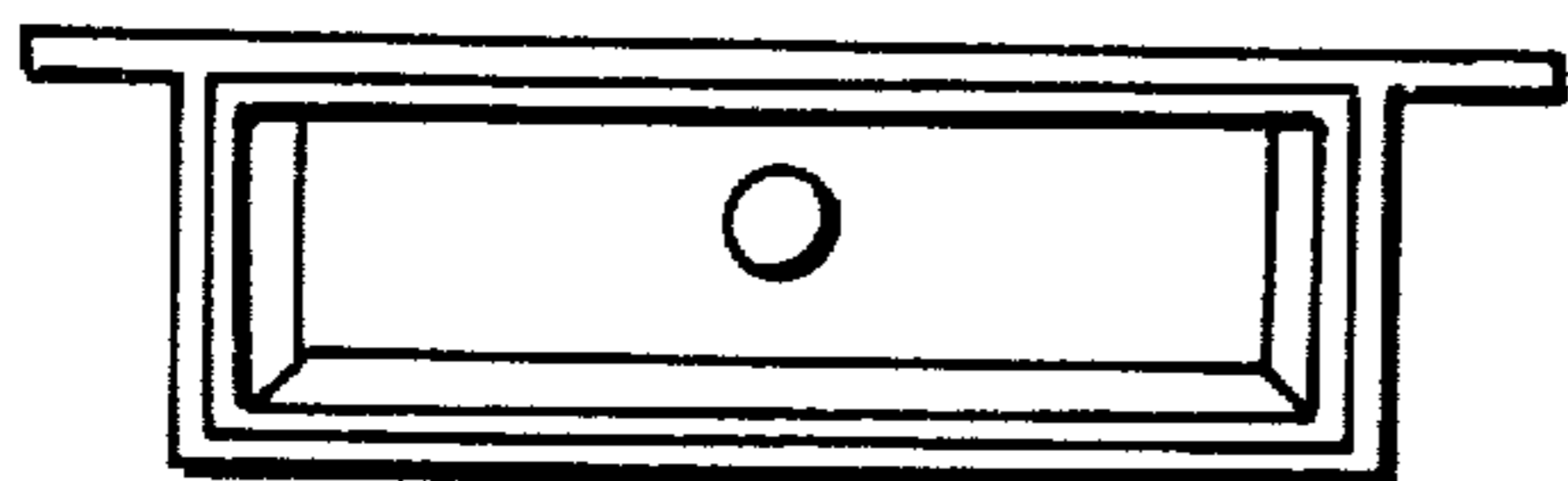


FIG. 4

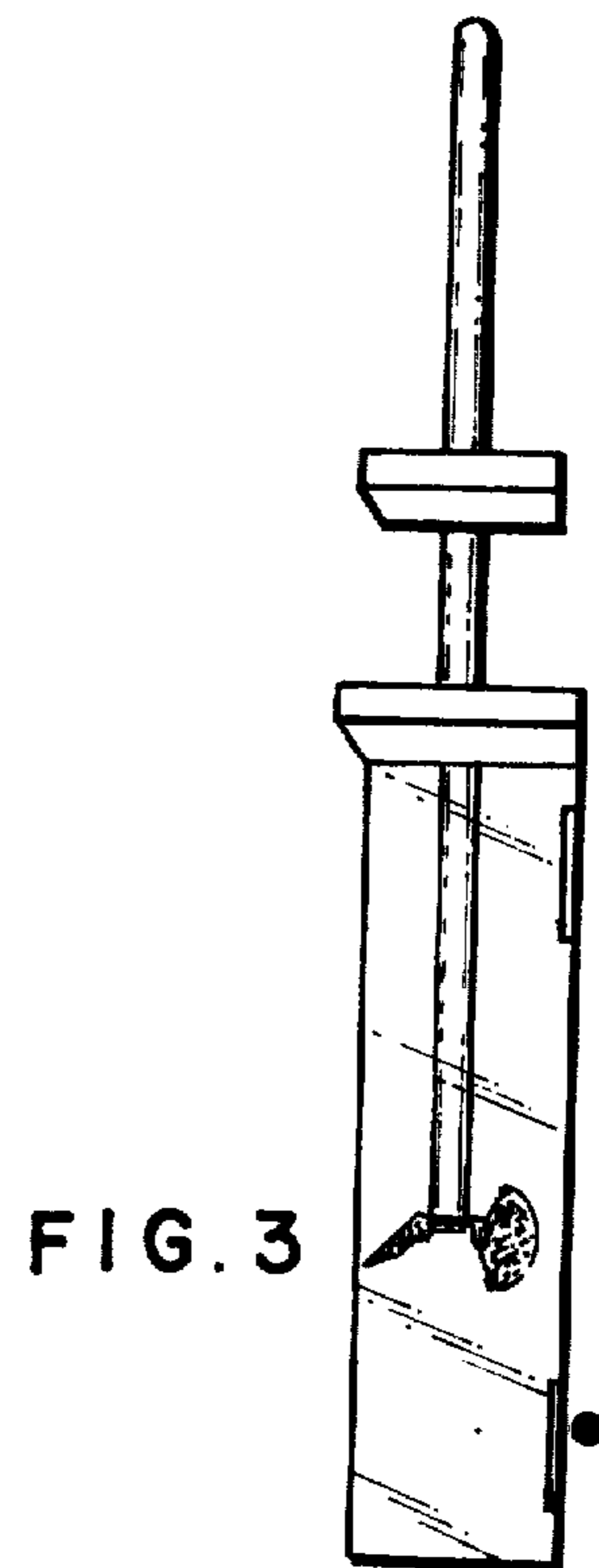


FIG. 3