

[54] LUMINAIRE

[75] Inventors: William R. Eargle, Jr.; Winfried N. Westermann, both of Vicksburg, Miss.

[73] Assignee: Westinghouse Electric Corp., Pittsburgh, Pa.

[**] Term: 14 Years

[21] Appl. No.: 229,898

[22] Filed: Jan. 30, 1981

[51] Int. Cl. D26-05

[52] U.S. Cl. D26/88

[58] Field of Search 362/404, 362, 311, 296, 362/297, 300, 217, 220, 223, 235, 238; 174/DIG. 2, 50 R, 52 R; D26/24, 67, 68, 72, 80-91, 118, 128, 129, 130, 131, 135, 137, 138, 142, 145

[56] References Cited

U.S. PATENT DOCUMENTS

D. 207,414	4/1967	Lum et al.	D26/88
D. 207,789	5/1967	Kimble	D26/67
D. 213,994	4/1969	Blaisdell et al.	D26/67
D. 217,018	3/1970	Anderson, Jr.	D26/67

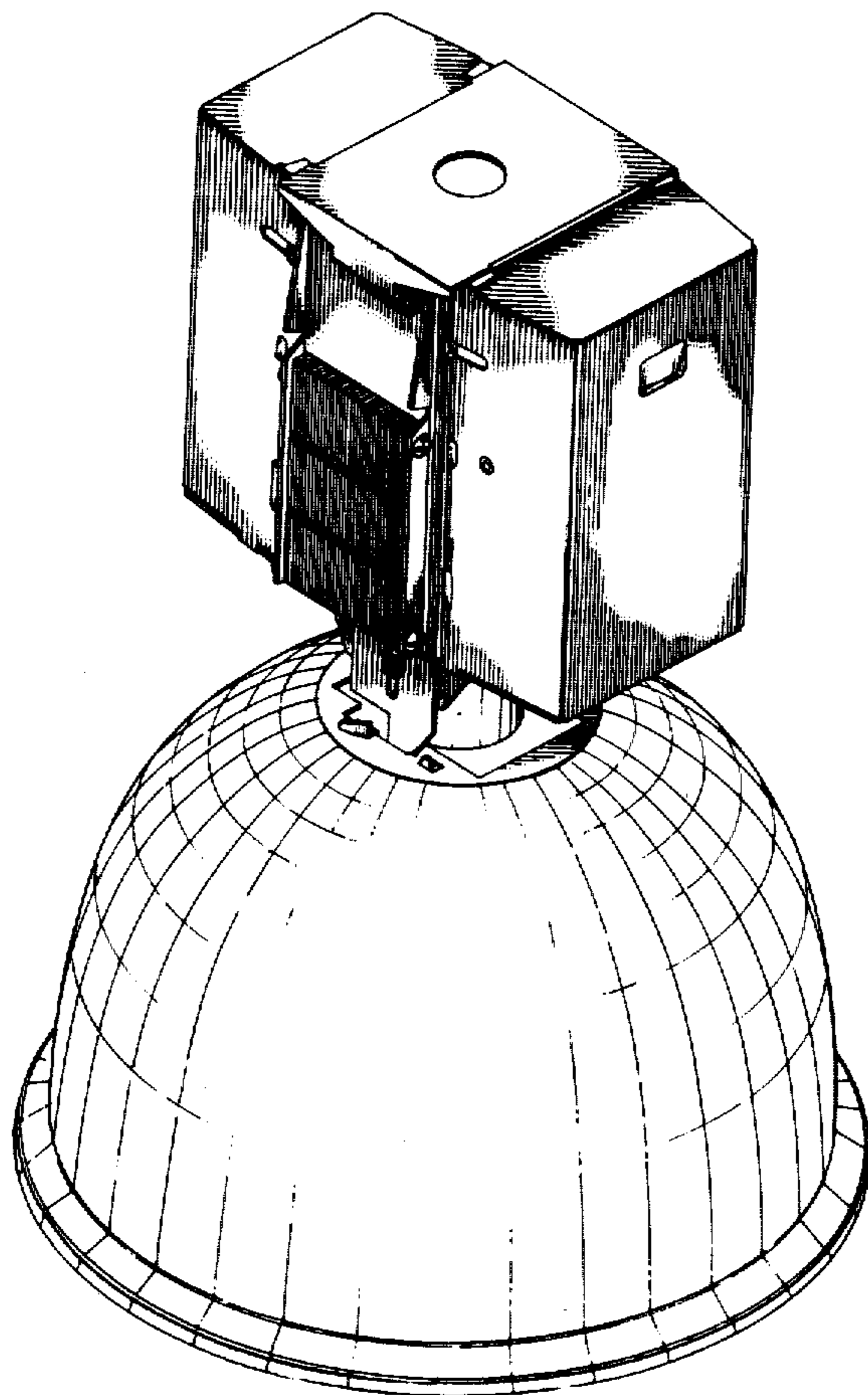
Primary Examiner—Susan J. Lucas
Attorney, Agent, or Firm—B. R. Studebaker

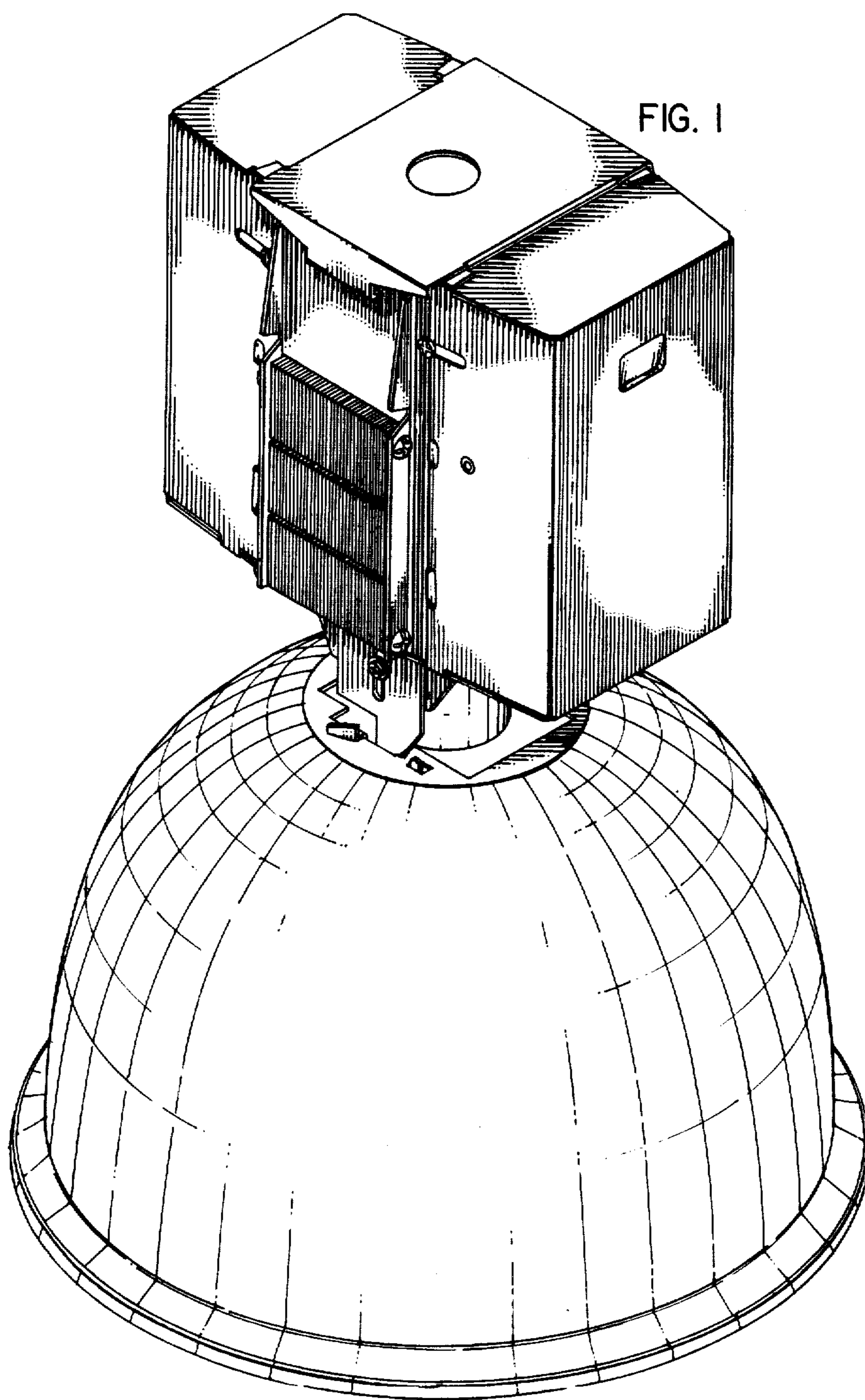
[57] CLAIM

The ornamental design for a luminaire, substantially as shown and described.

DESCRIPTION

FIG. 1 is a rear perspective view of a luminaire illustrating our new design;
FIG. 2 is a front elevational view thereof on an enlarged scale;
FIG. 3 is a side elevational view thereof on an enlarged scale;
FIG. 4 is a rear elevational view thereof on an enlarged scale;
FIG. 5 is a top plan view thereof; and
FIG. 6 is a bottom plan view thereof.





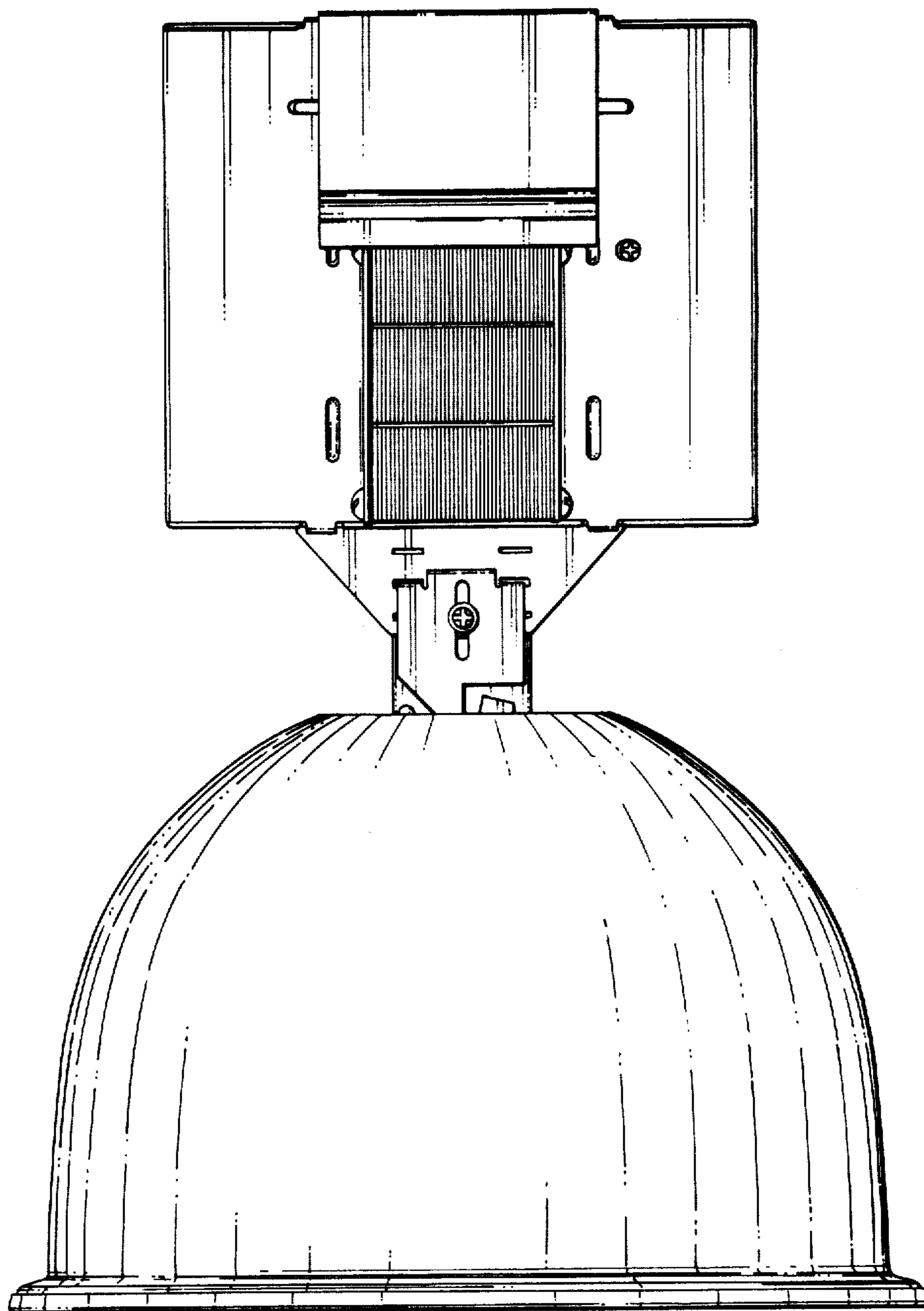


FIG. 2

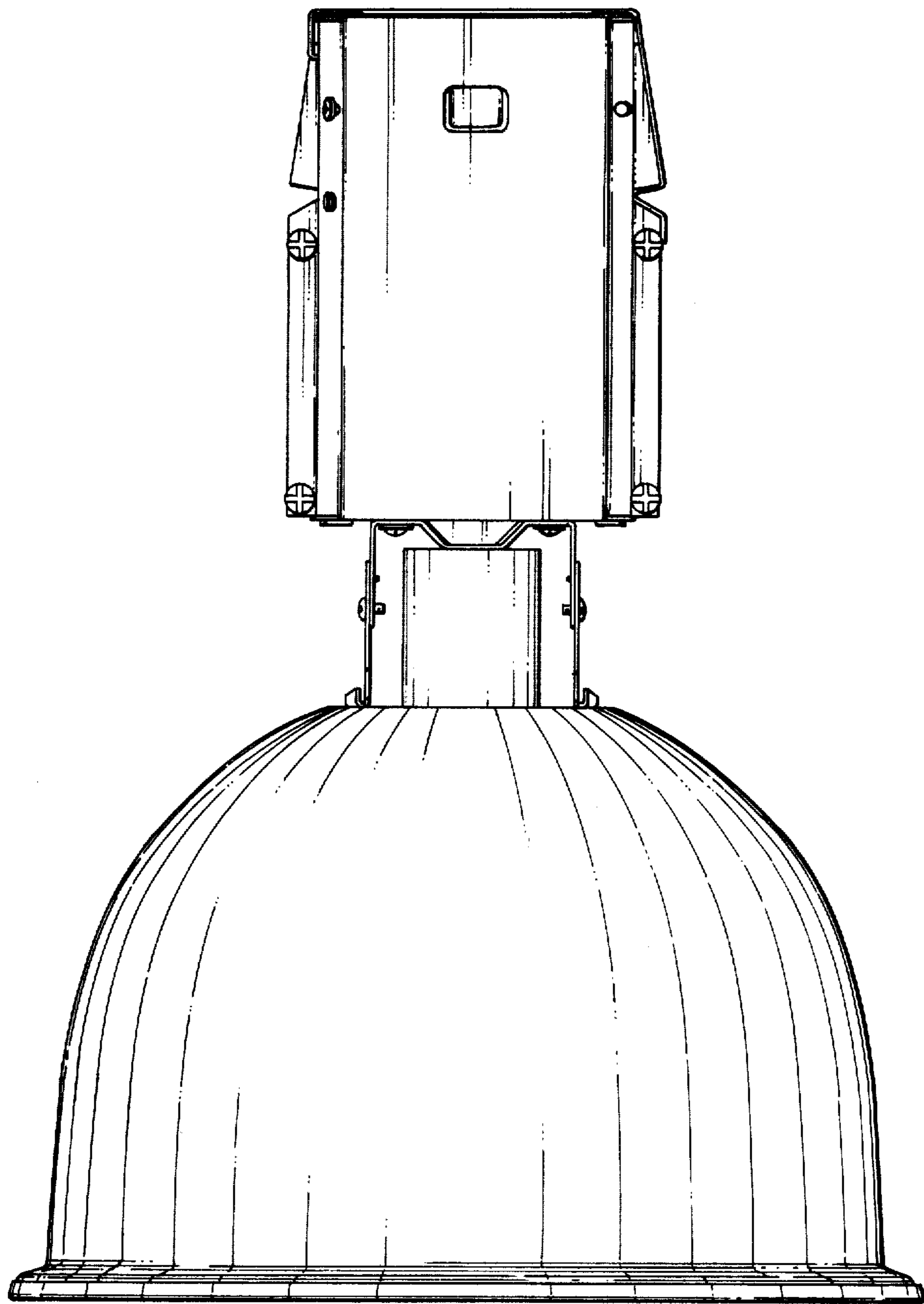


FIG. 3

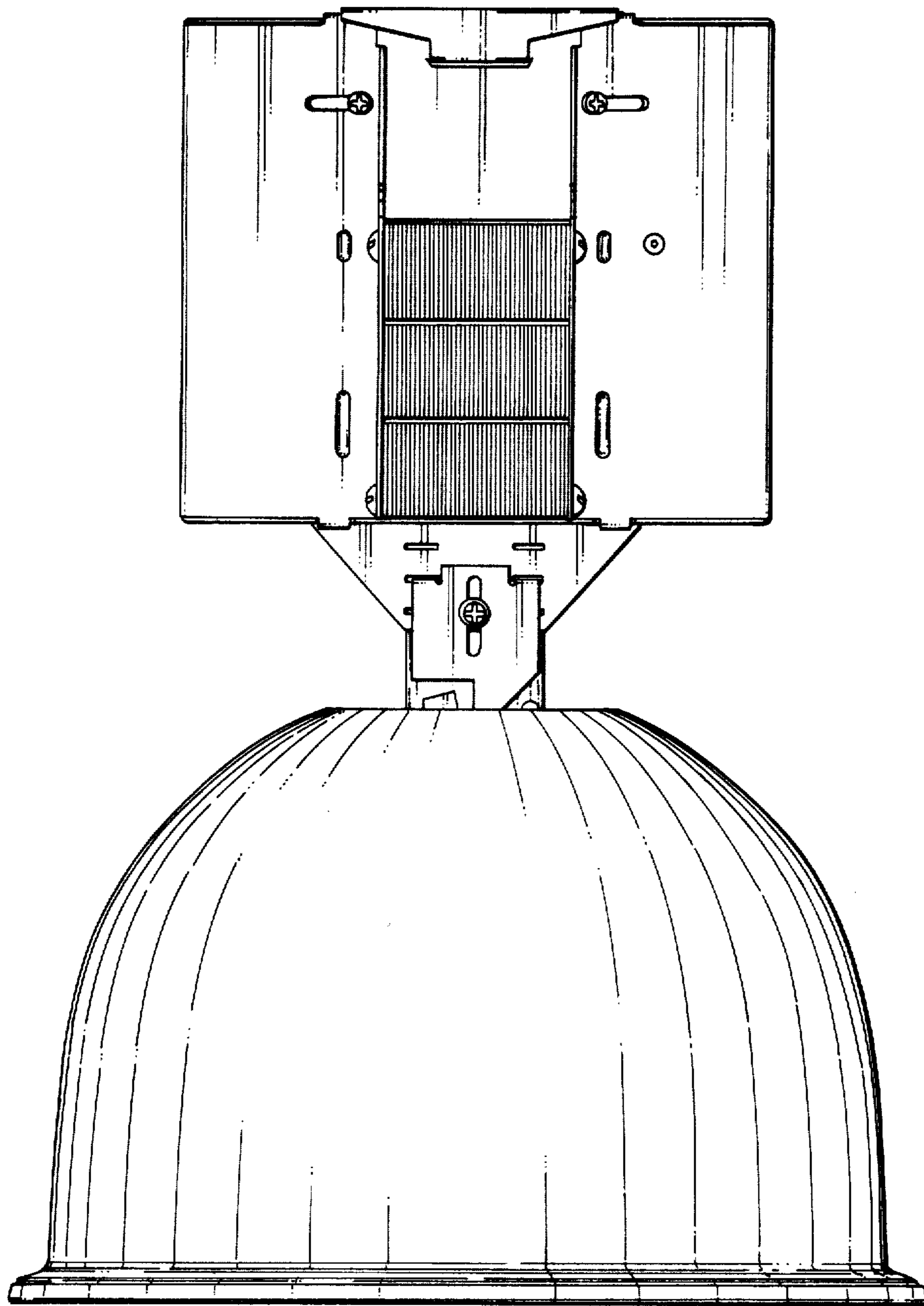


FIG. 4

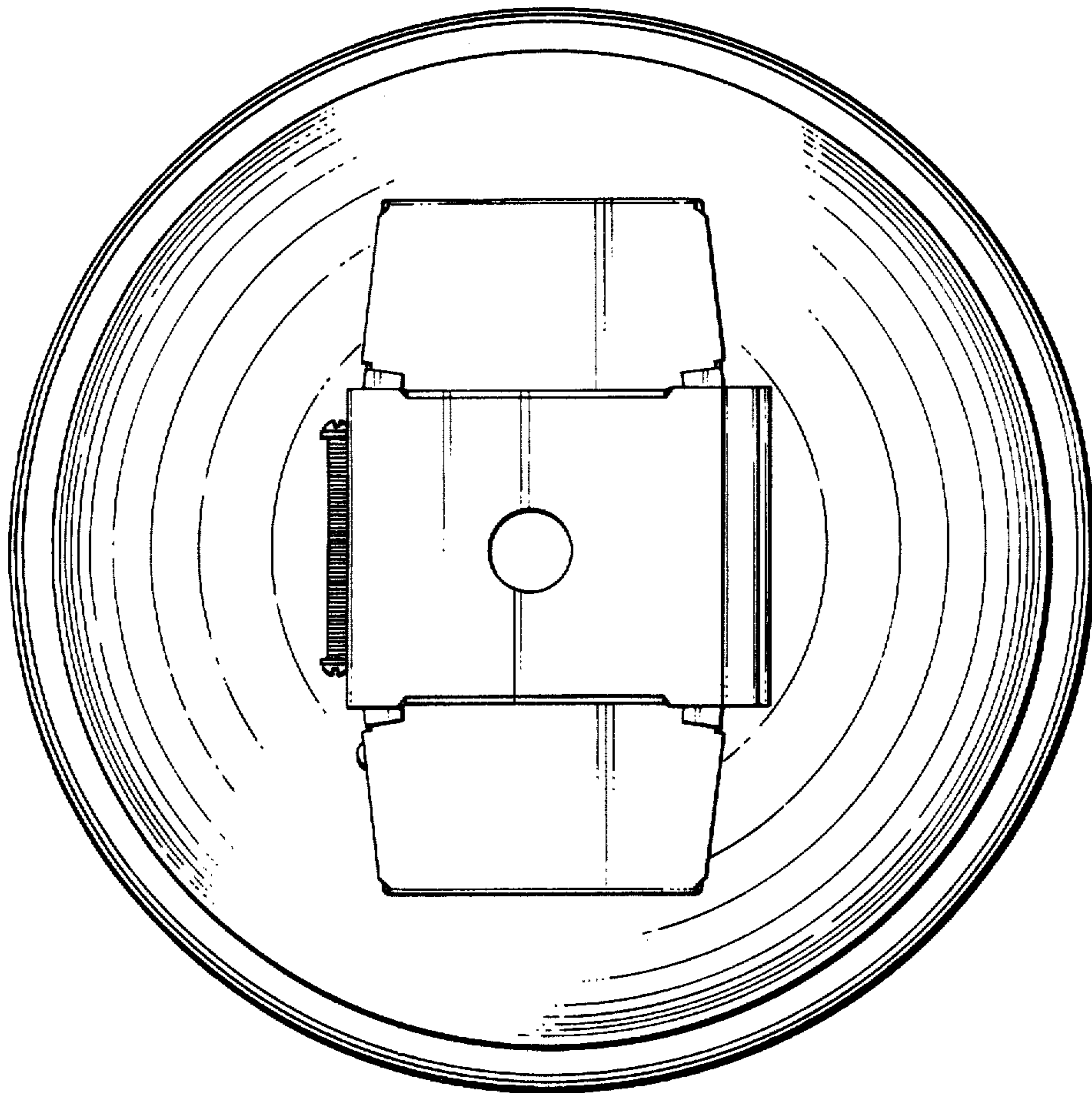


FIG. 5

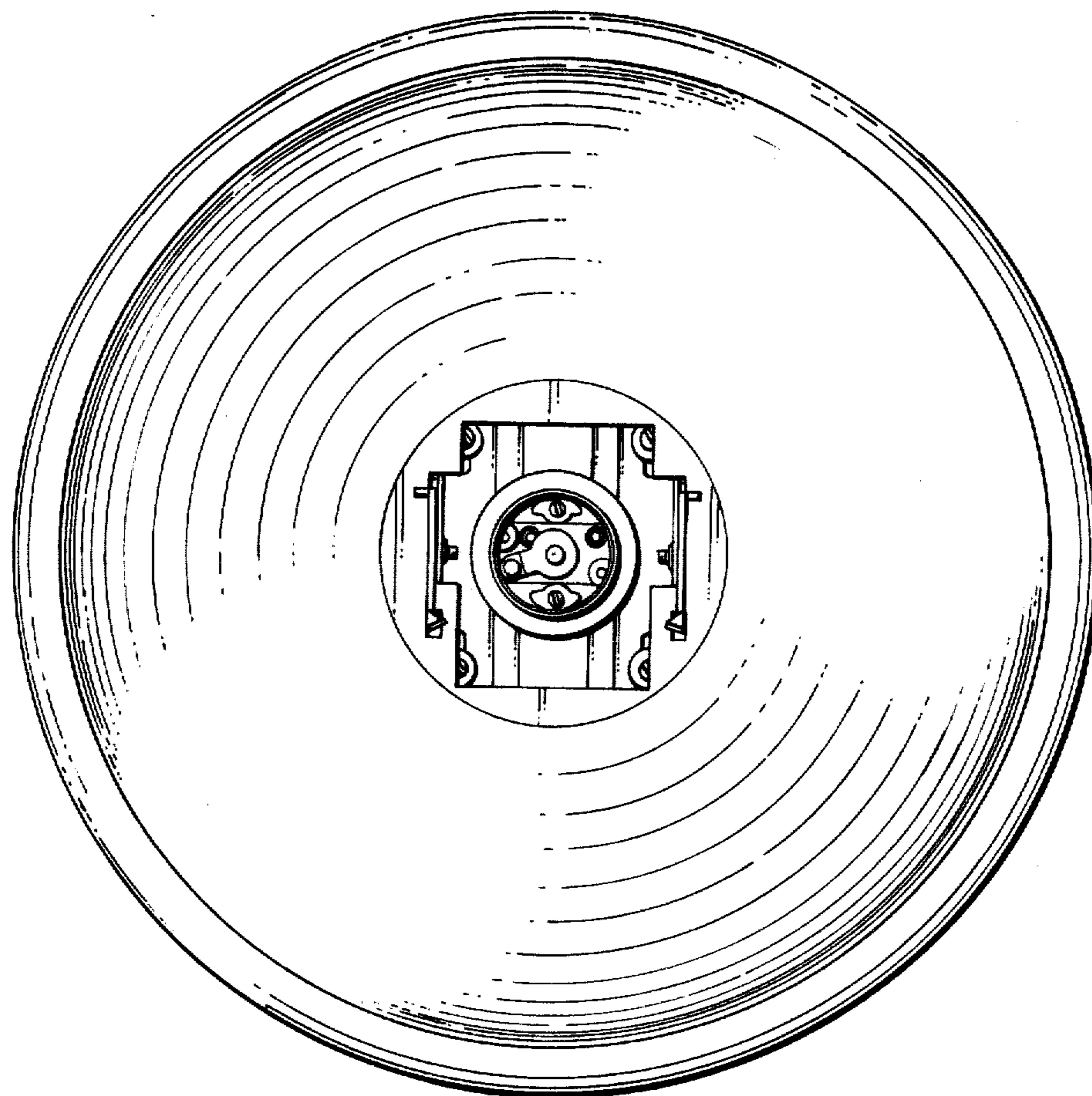


FIG. 6