

[54] HOLDER FOR A RULE BOOK AND SCORE CARD

[76] Inventor: Roy C. Draddy, 9 Dunfries Pl., Floreat Park Western Australia, Australia

[\*\*] Term: 14 Years

[21] Appl. No.: 230,285

[22] Filed: Jan. 30, 1981

[30] Foreign Application Priority Data

Aug. 15, 1980 [AU] Australia ..... 81804

[51] Int. Cl. .... D19-04

[52] U.S. Cl. .... D19/26; D3/58; D19/78; D19/86

[58] Field of Search ..... D19/22, 26, 27, 33, D19/75, 78, 84, 87, 88; D3/56-58; 401/52; 281/15 B; 150/34, 39

[56] References Cited

U.S. PATENT DOCUMENTS

D. 161,864	2/1951	O'Donnell, Jr.	.....	D19/87
1,585,747	5/1926	Weingart	.....	281/15 B
2,171,188	8/1939	Morris	.....	401/52
2,680,461	6/1954	Trovato	.....	D3/58
3,283,421	11/1966	Schott	.....	D19/33
3,286,388	11/1966	Makiri	.....	281/15 B

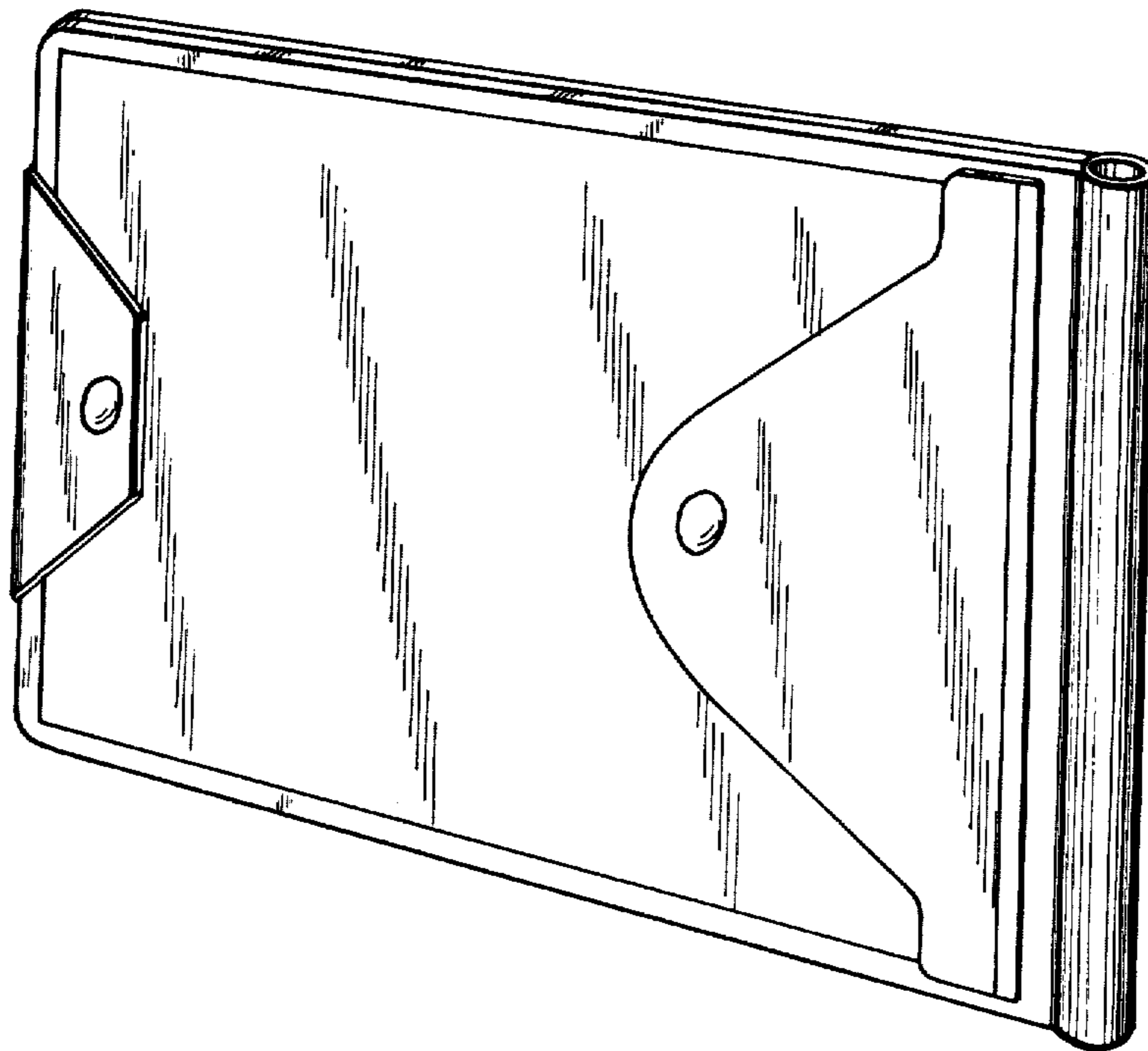
Primary Examiner—George P. Word  
Attorney, Agent, or Firm—Richards, Harris & Medlock

[57] CLAIM

The ornamental design for a holder for a rule book and score card, as shown and described.

DESCRIPTION

FIG. 1 is a front perspective view of a holder for a rule book and score card showing my new design; FIG. 2 is a rear perspective view thereof; FIG. 3 is a reduced scale plan view of the interior in an open position; and FIG. 4 is a reduced scale plan view of the exterior in an open position.



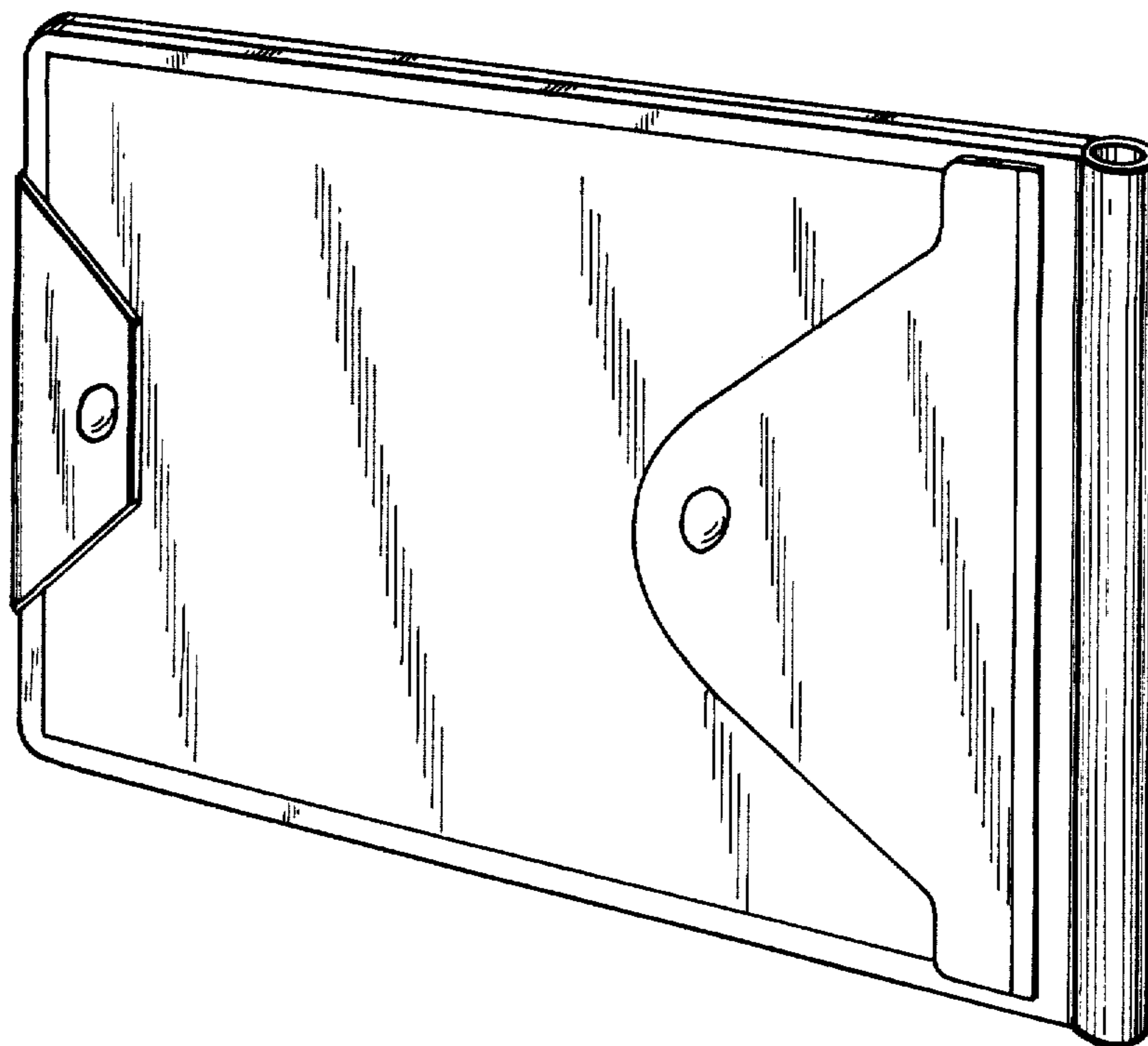


Fig. 1.

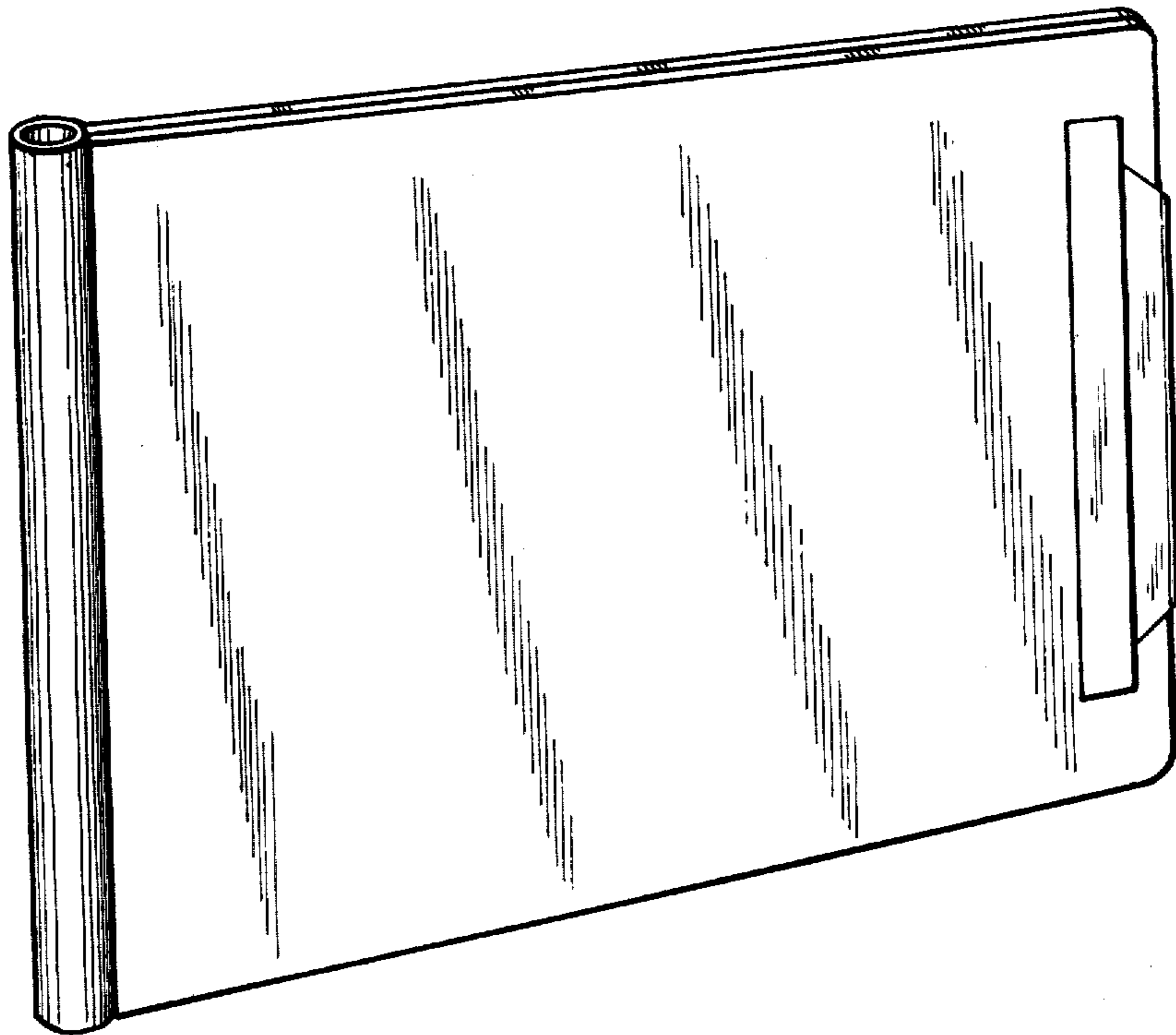
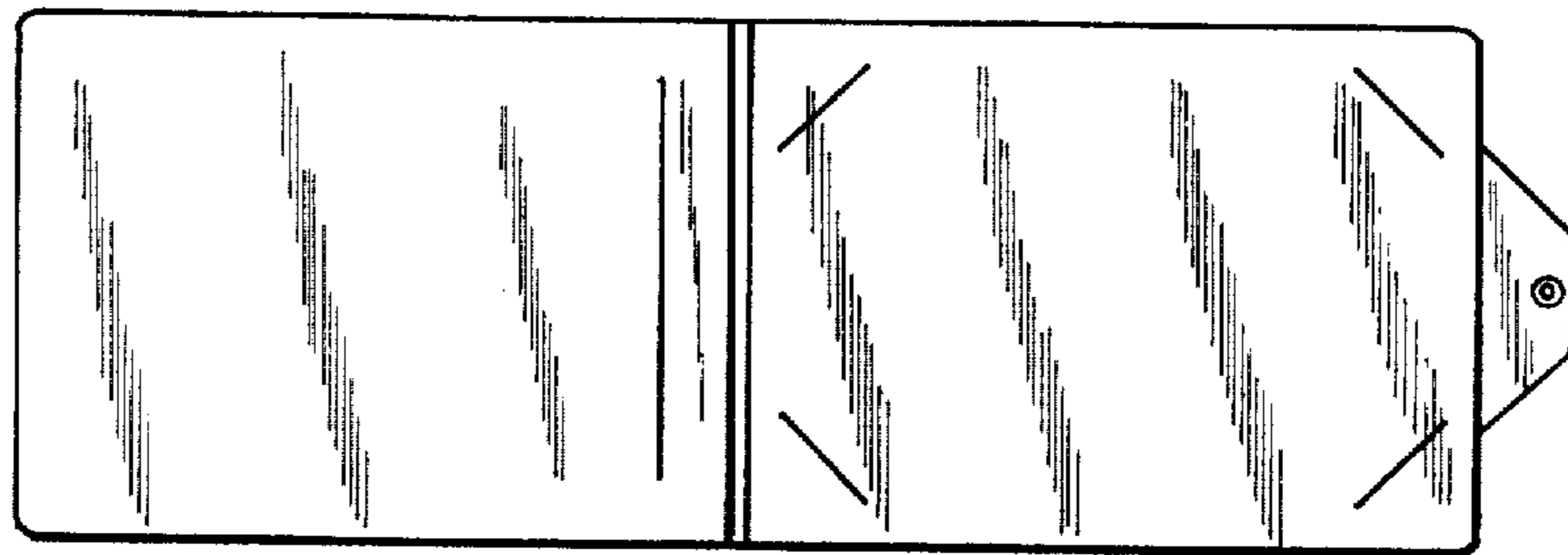
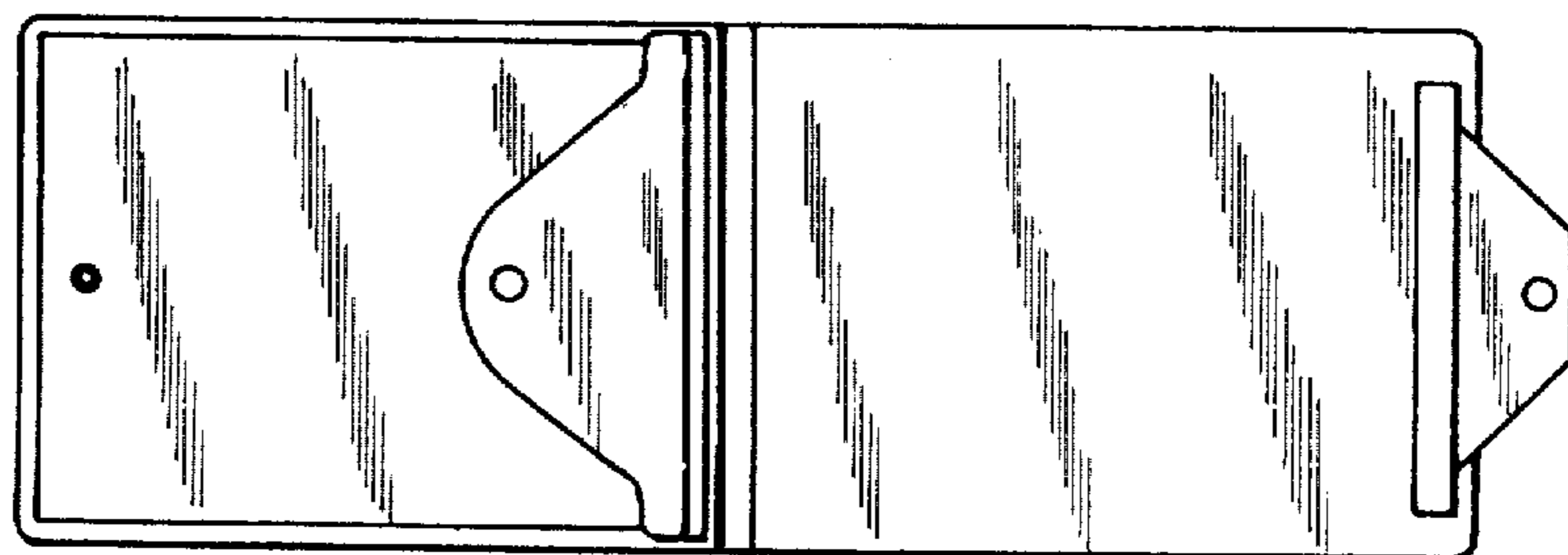


FIG. 2.



**Fig. 3,**



**Fig. 4,**