

[54] DRUM ROD ATTACHABLE DRUM KEY HOLDER

[75] Inventor: Bruce N. Hardy, Elkhart, Ind.

[73] Assignee: Silver Street, Inc., Elkhart, Ind.

[**] Term: 14 Years

[21] Appl. No.: 247,343

[22] Filed: Mar. 25, 1981

[51] Int. Cl. D17-04; D8-08

[52] U.S. Cl. D17/22; D6/125; D8/373

[58] Field of Search D17/22, 99; D8/354, D8/373, 499; 84/413, 411 R; 24/339; 248/74.5, 220.2, 111, 74 PB; D6/125

[56] References Cited

U.S. PATENT DOCUMENTS

- D. 248,347 7/1978 McCollum D8/373 X
- D. 264,682 6/1982 Van Doren D8/354
- 2,046,581 7/1936 Reeves 248/220.2

3,322,381 5/1967 Bubb 24/339 X

OTHER PUBLICATIONS

Slingerland Drum Co., Niles, Ill., Cat. 65, ©'64, p. 62, item #950, Drum Keyholder.

Primary Examiner—Jane E. Corrigan
Attorney, Agent, or Firm—Marmaduke A. Hobbs

[57] CLAIM

The ornamental design for a drum rod attachable drum key holder, substantially as shown and described.

DESCRIPTION

FIG. 1 is a perspective view of a drum rod attachable drum key holder showing my new design;
 FIG. 2 is a plan view of the side opposite the side shown in FIG. 1;
 FIG. 3 is a side elevational view of the side opposite that shown in FIG. 1;
 FIG. 4 is an elevational view of the end shown in the front in FIG. 1; and
 FIG. 5 is a sectional view taken along line 5—5 in FIG. 1.

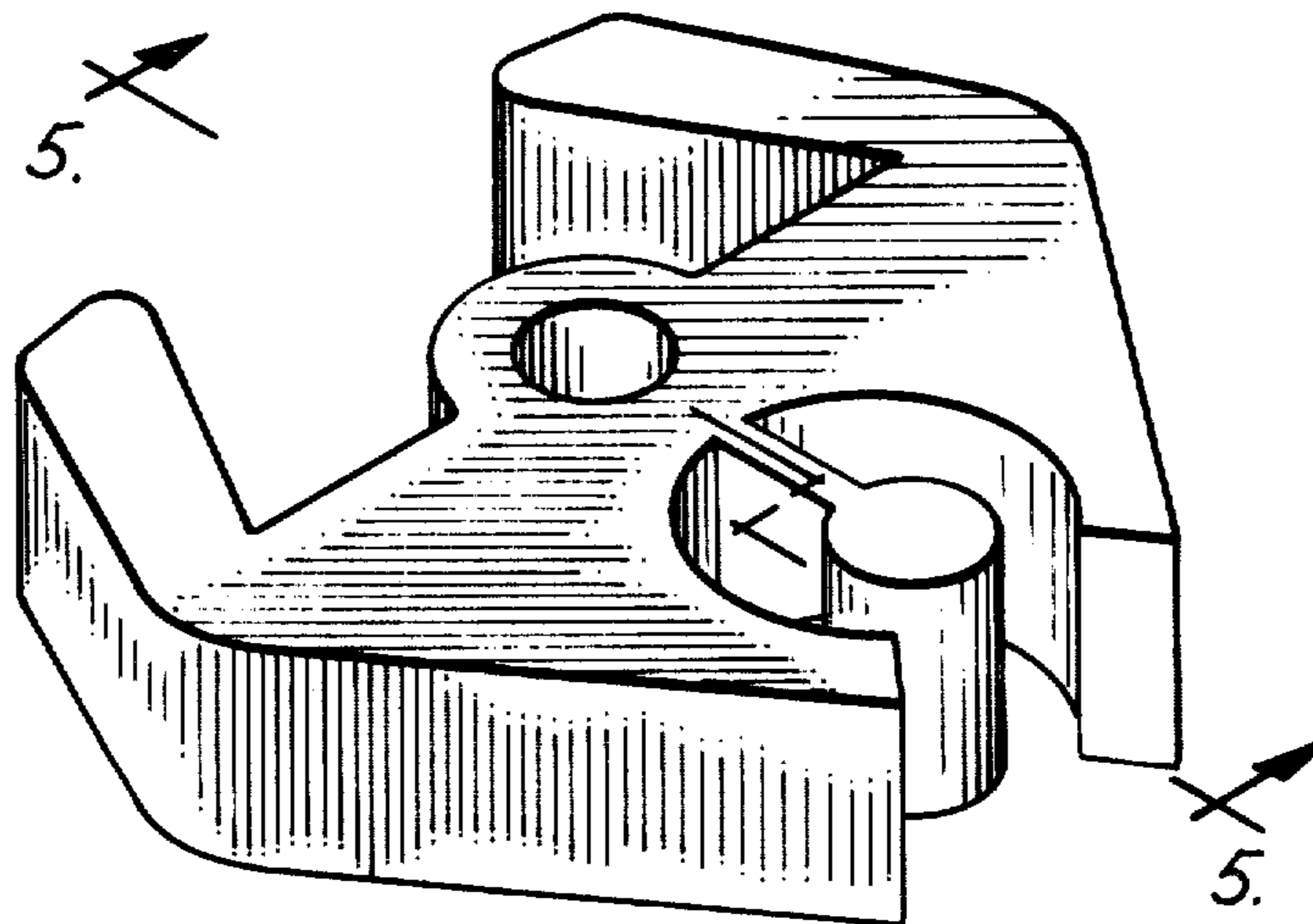


Fig. 1

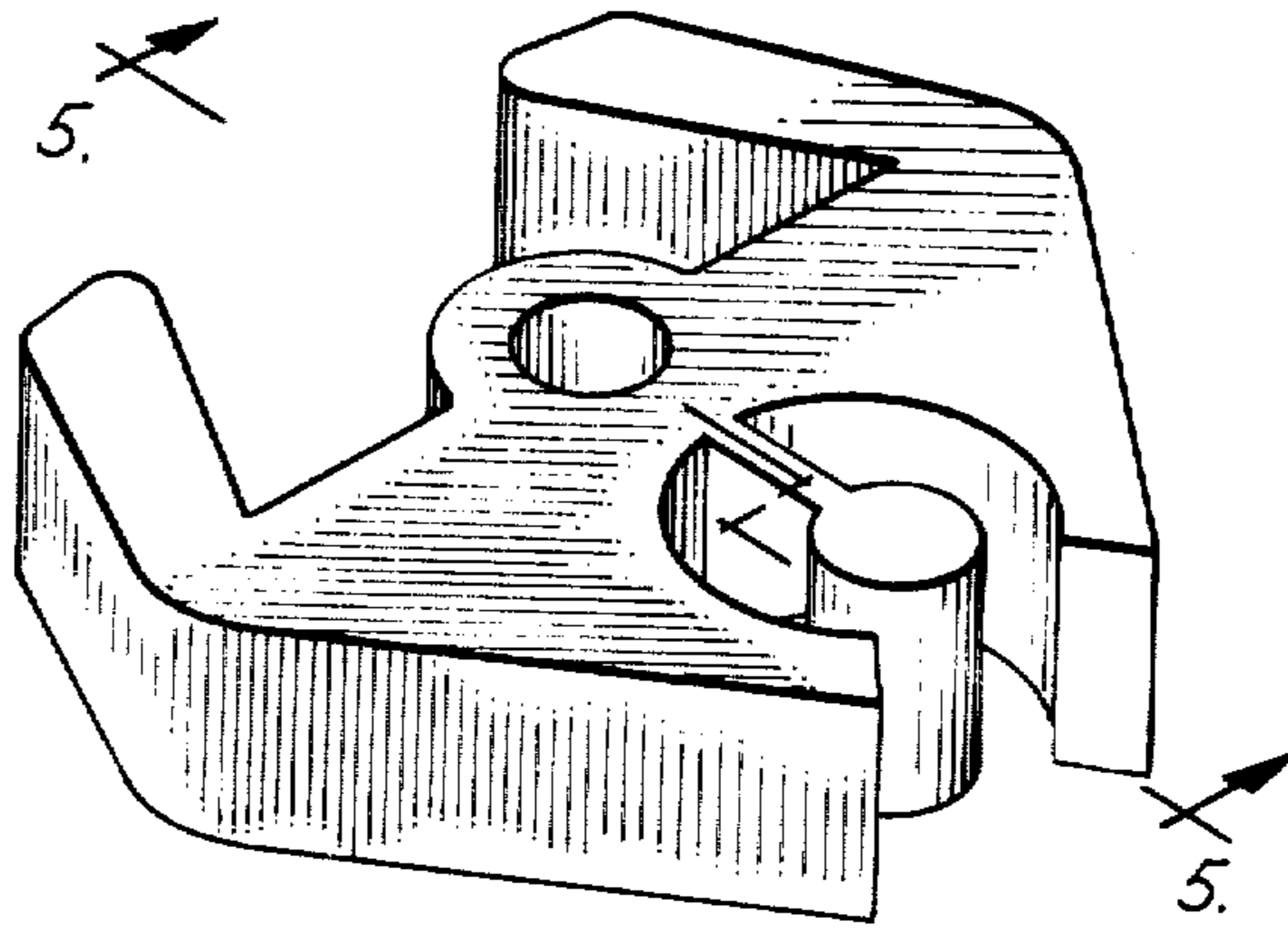


Fig. 2

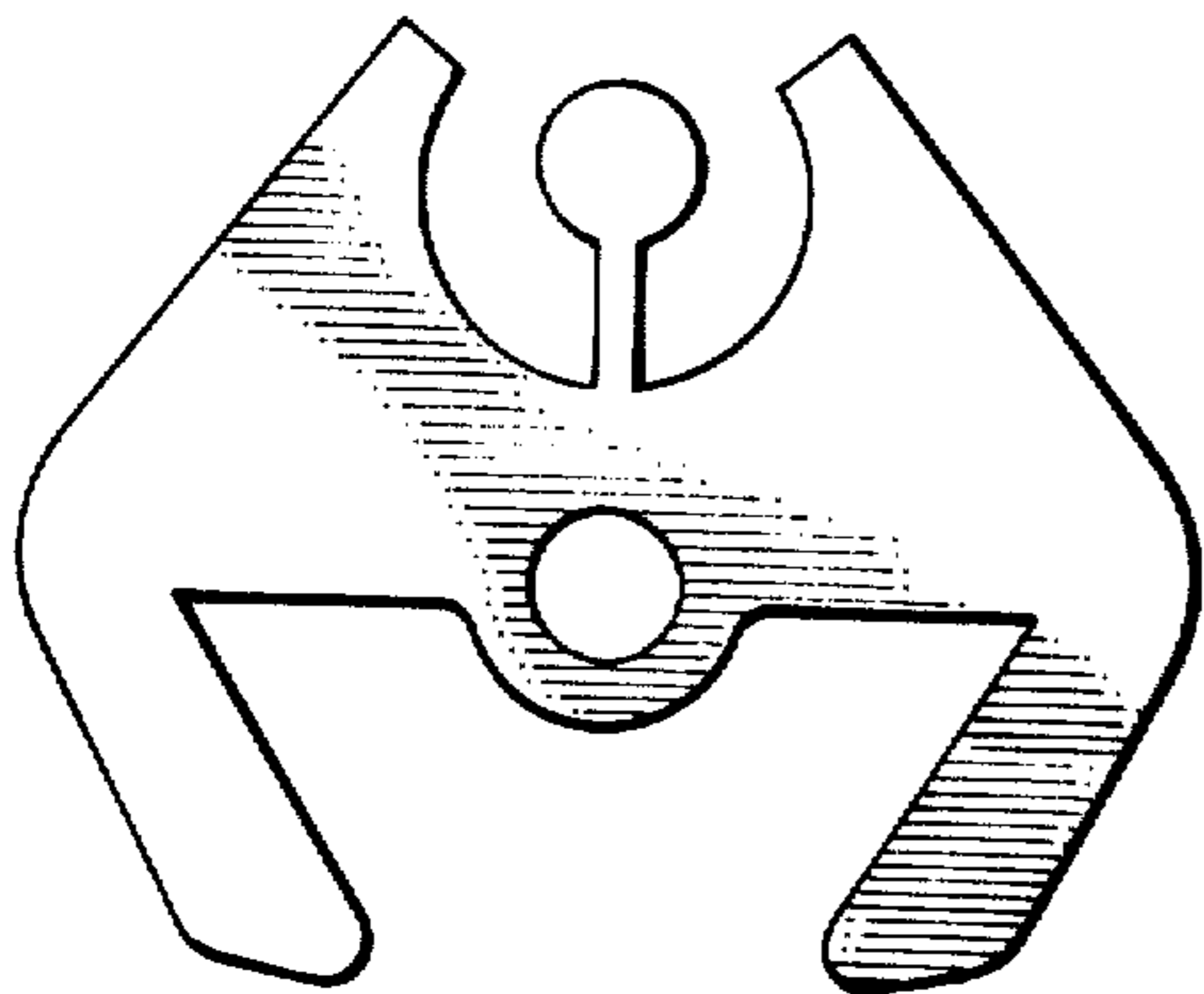


Fig. 3



Fig. 4

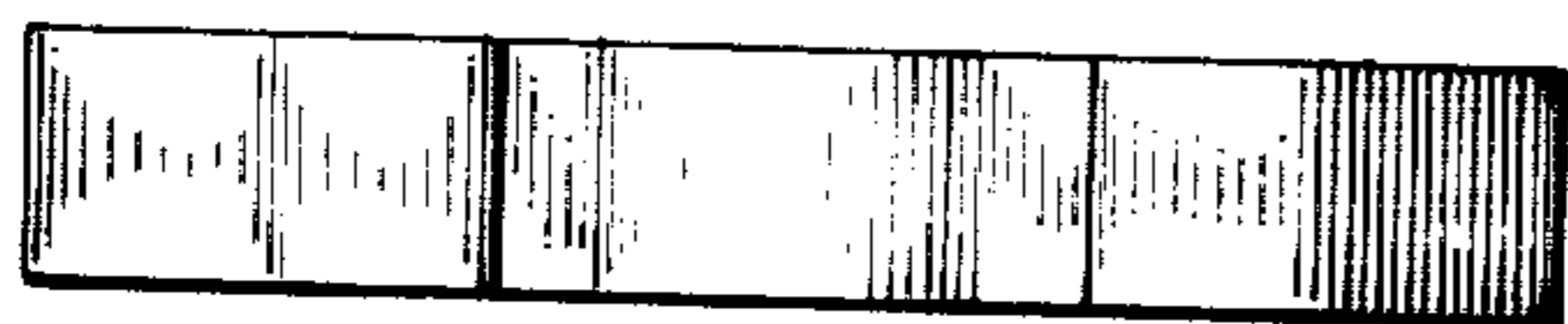


Fig. 5

