

[54] AUDIO CONTROL PANEL

[76] Inventor: Lance Parker, 1467 S. 50 East, Orem, Utah 84057

[**] Term: 14 Years

[21] Appl. No.: 187,202

[22] Filed: Sep. 15, 1980

[51] Int. Cl. D17-01

[52] U.S. Cl. D17/1; D17/6

[58] Field of Search D17/1, 5-7, D17/9; 84/404, 177, DIG. 17

[56] References Cited

U.S. PATENT DOCUMENTS

- D. 180,847 8/1957 Schimmel D17/7
- D. 183,761 10/1958 Millington D17/7
- D. 242,384 11/1976 Kimble D17/5
- D. 260,098 8/1981 Antonelli D17/5 X

OTHER PUBLICATIONS

Music Trades, 2-80, p. 16, ARP Instruments Synthesizer.

Primary Examiner—Jane E. Corrigan

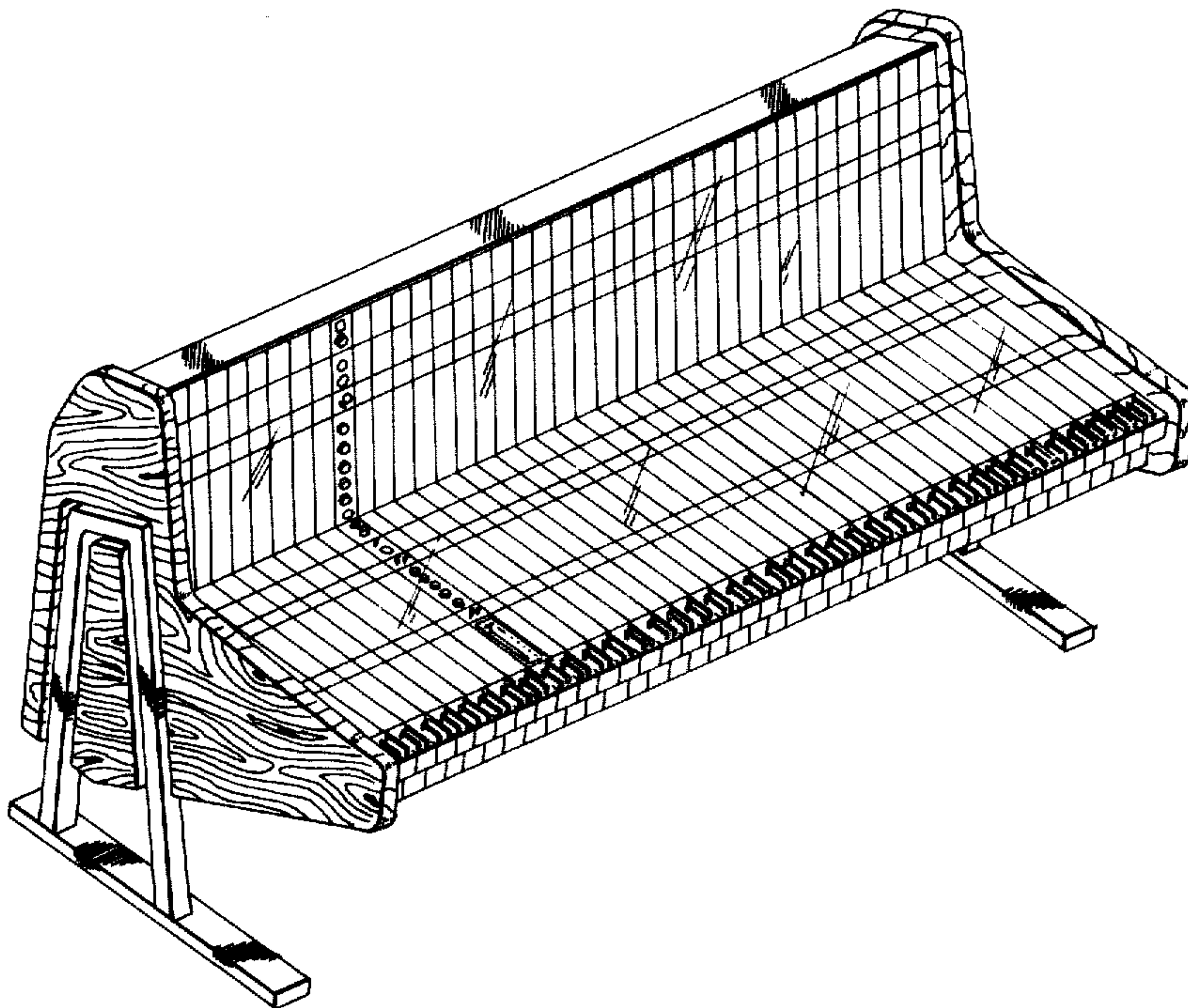
Attorney, Agent, or Firm—B. Deon Criddle; Terry M. Crellin

[57] CLAIM

The ornamental design for an audio control panel, as shown.

DESCRIPTION

FIG. 1 is a front, top and left side perspective view of an audio control panel showing my new design;
 FIG. 2 is a front elevational view;
 FIG. 3 is a rear elevational view;
 FIG. 4 is a top plan view;
 FIG. 5 is a bottom plan view.
 FIG. 6 is a right side elevational view.



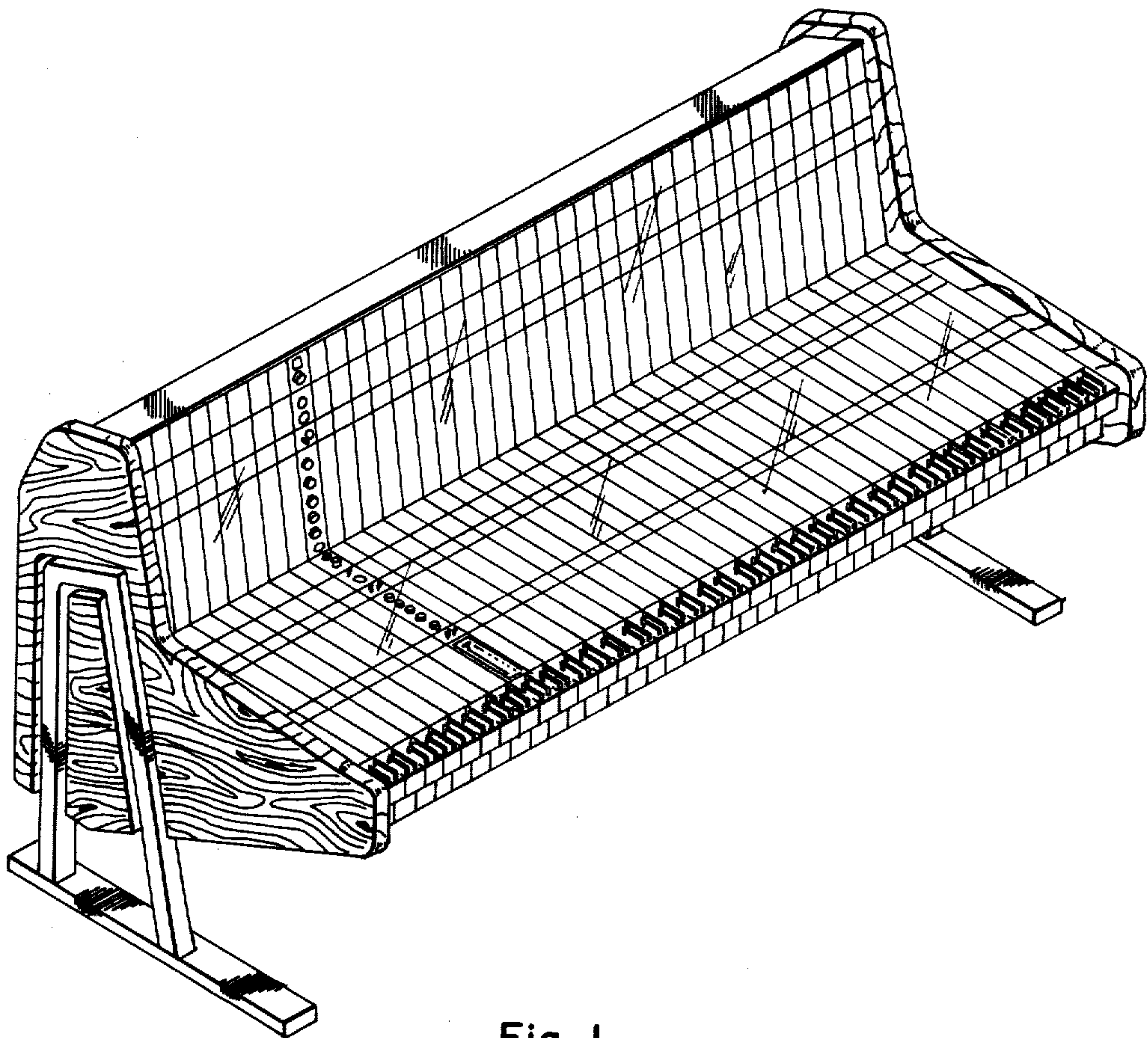


Fig. 1

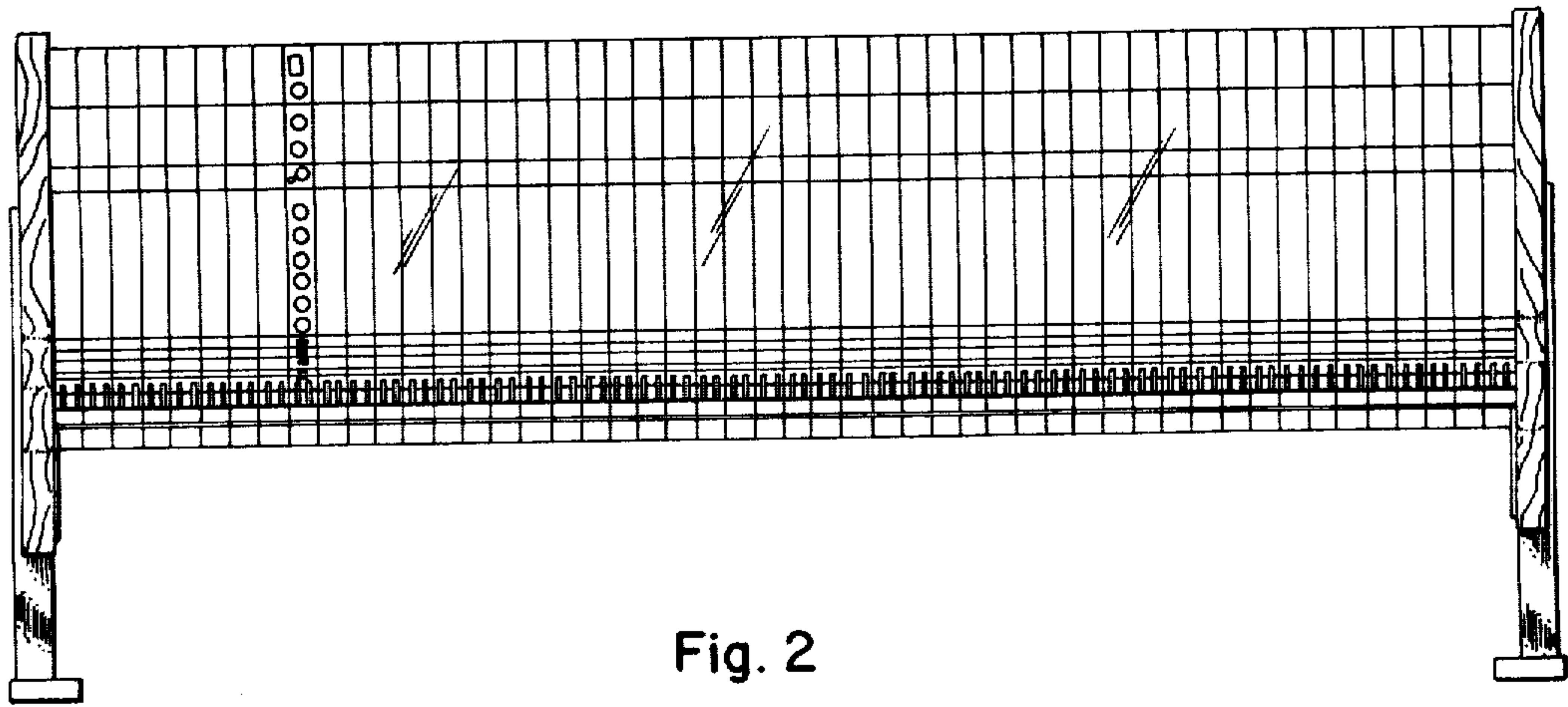


Fig. 2

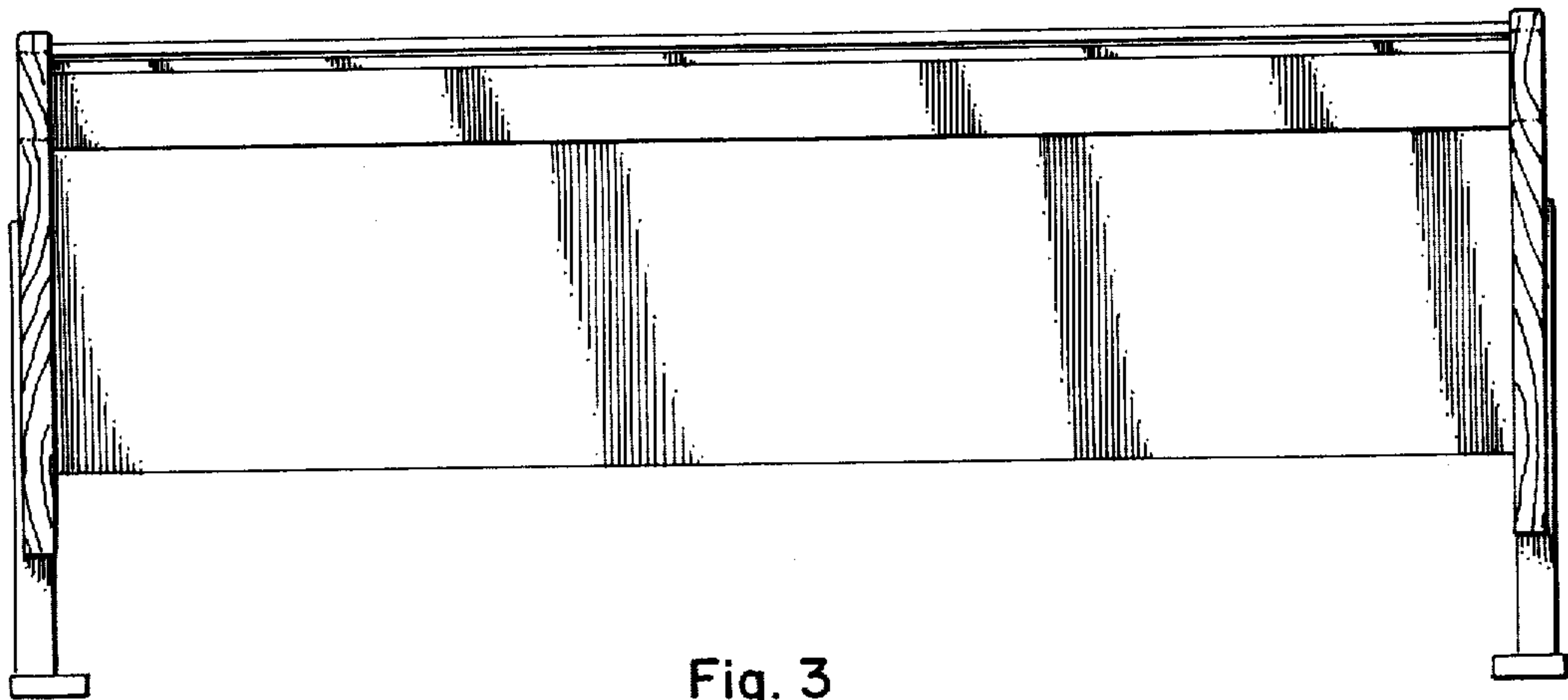


Fig. 3

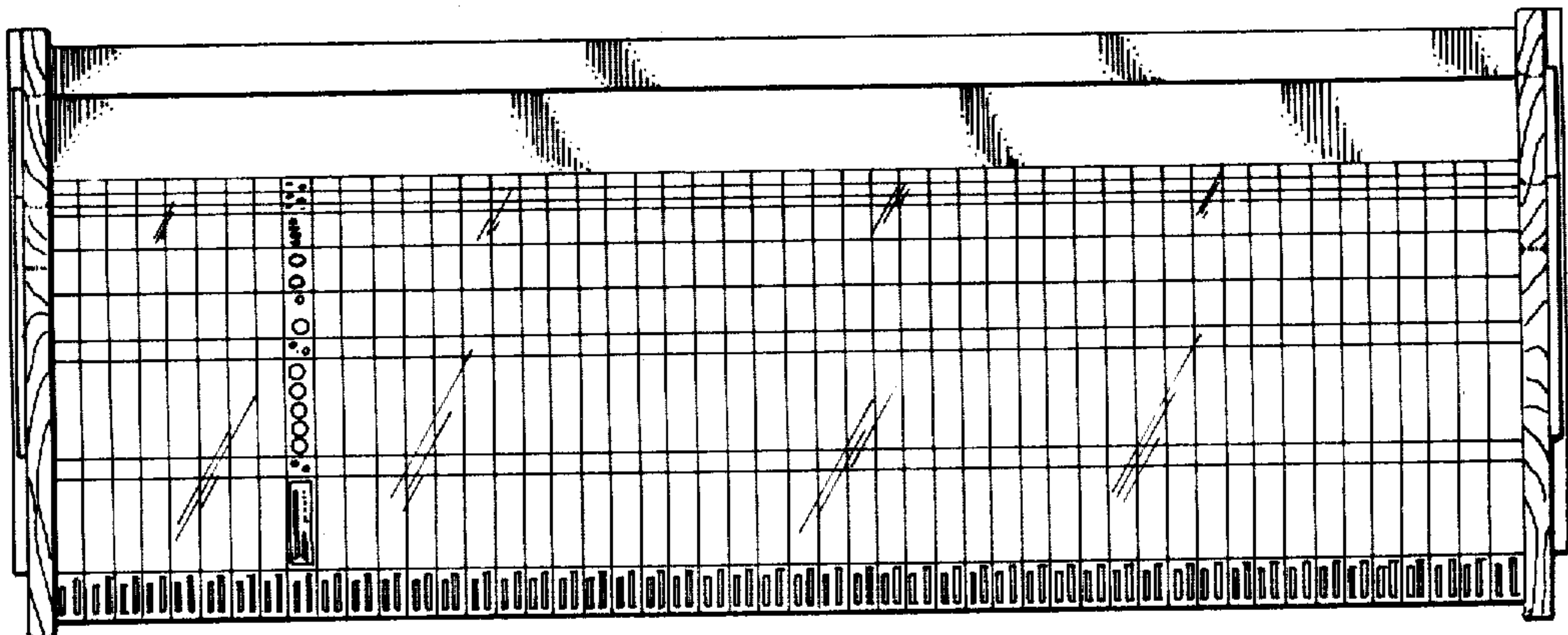


Fig. 4

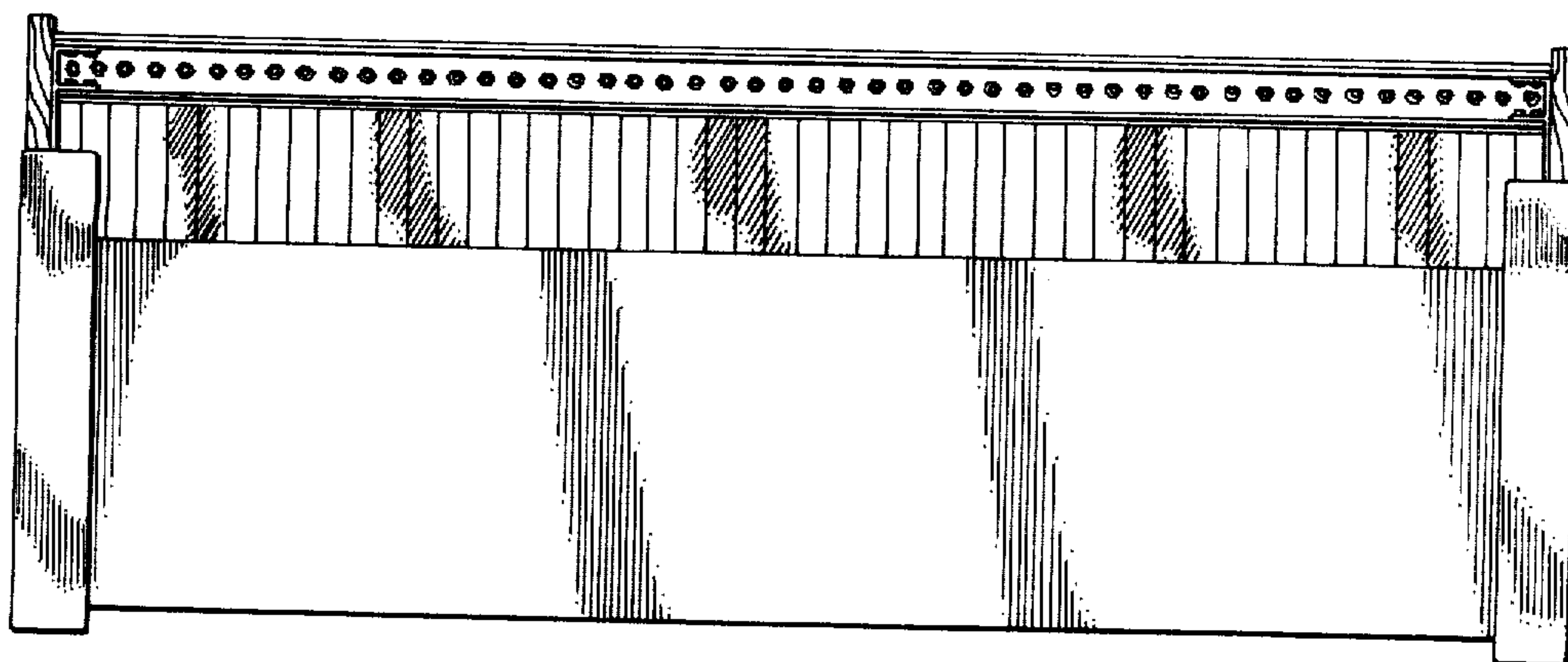


Fig. 5

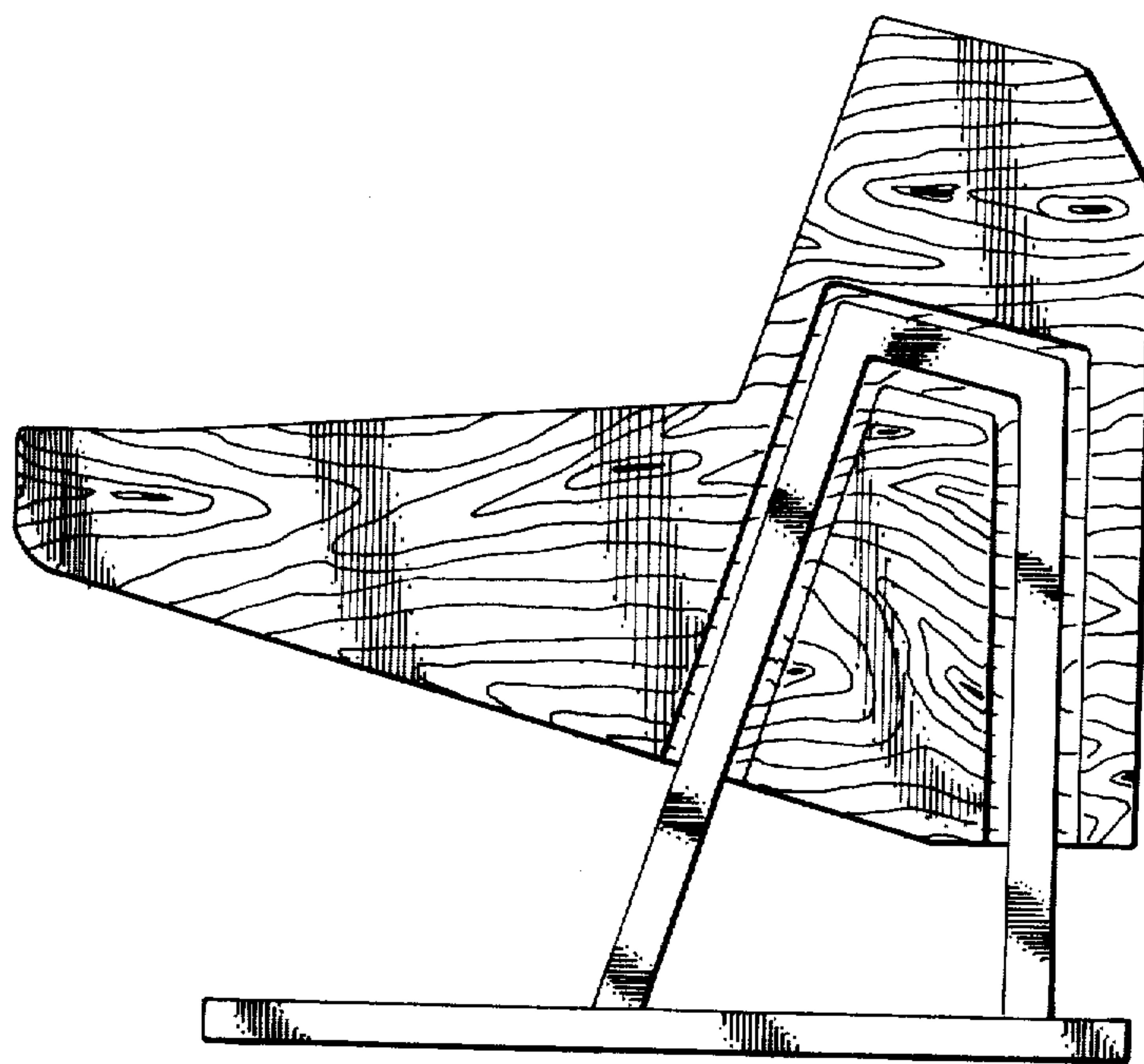


Fig. 6