

[54] SPECTACLE HOLDER

[76] Inventor: Stefan Engelmann, 61-38 164th St., Flushing, N.Y. 11365

[**] Term: 14 Years

[21] Appl. No.: 238,170

[22] Filed: Feb. 26, 1981

Related U.S. Application Data

[62] Division of Ser. No. 16,952, Mar. 2, 1979, Pat. No. Des. 260,527.

[51] Int. Cl. D16-06; D6-99

[52] U.S. Cl. D16/129; D6/85

[58] Field of Search D16/129; D6/85, 20; D8/373, 380; 248/519, 121, 127, 309 R, 346, DIG. 2, 205 R, 205 A, 206 A; 211/13

[56] References Cited

U.S. PATENT DOCUMENTS

- D. 207,277 3/1967 Winters D16/82
- 2,549,766 4/1951 Benson 248/206 A
- 2,958,495 11/1960 Foster 248/DIG. 2 X
- 3,292,429 12/1966 Neanhouse 248/DIG. 2 X
- 3,866,873 2/1975 Bohli 248/205 A
- 4,011,953 3/1977 Engelmann 211/13

FOREIGN PATENT DOCUMENTS

- 737441 7/1943 Fed. Rep. of Germany ... 248/DIG. 2
- 415105 12/1966 Switzerland 248/DIG. 2

Primary Examiner—Susan J. Lucas

[57] CLAIM

The ornamental design for a spectacle holder, substantially as shown and described.

DESCRIPTION

FIG. 1 is a front elevational view of spectacle holder embodying my new design;

FIG. 2 is a top plan view of the design shown in FIG. 1;

FIG. 3 is a side elevational view of the design shown in FIG. 1;

FIG. 4 is a rear elevational view of the design shown in FIG. 1;

FIG. 5 is a bottom plan view of the design shown in FIG. 1;

FIG. 6 is a front elevational view of a second embodiment;

FIG. 7 is a top plan view of the embodiment shown in FIG. 6;

FIG. 8 is a side elevational view of the embodiment shown in FIG. 6;

FIG. 9 is a rear elevational view of the embodiment shown in FIG. 6;

FIG. 10 is a bottom plan view of the embodiment shown in FIG. 6; and

FIG. 11 is an exploded top plan view on an enlarged scale showing the retaining stand separated from the base.

FIG. 12 is a rear perspective view thereof on an enlarged scale;

FIGS. 13 and 14 are bottom, front fragmentary perspective views thereof on an enlarged scale, the base being broken away to show the interfit of the base and stand.

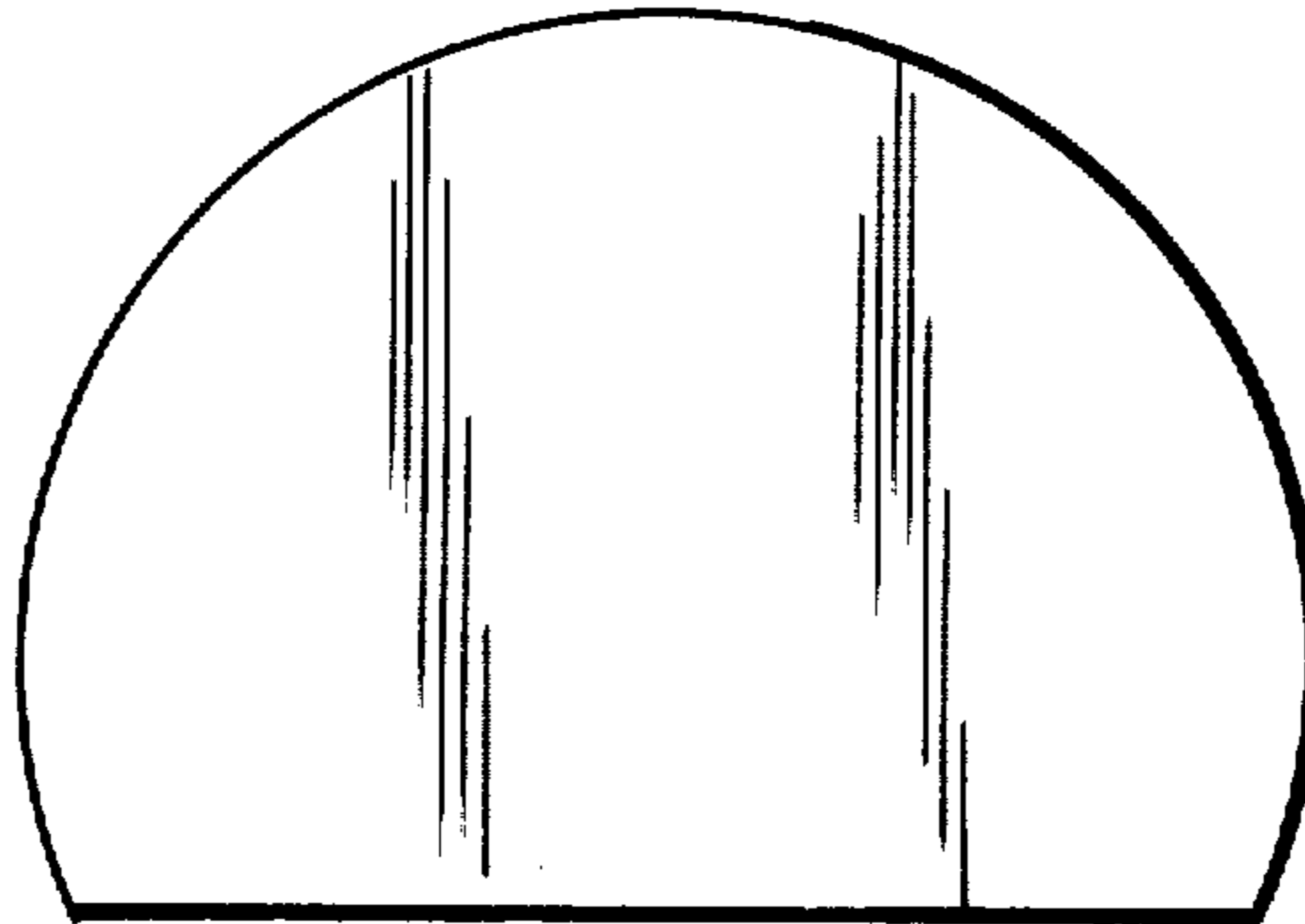


FIG. 1

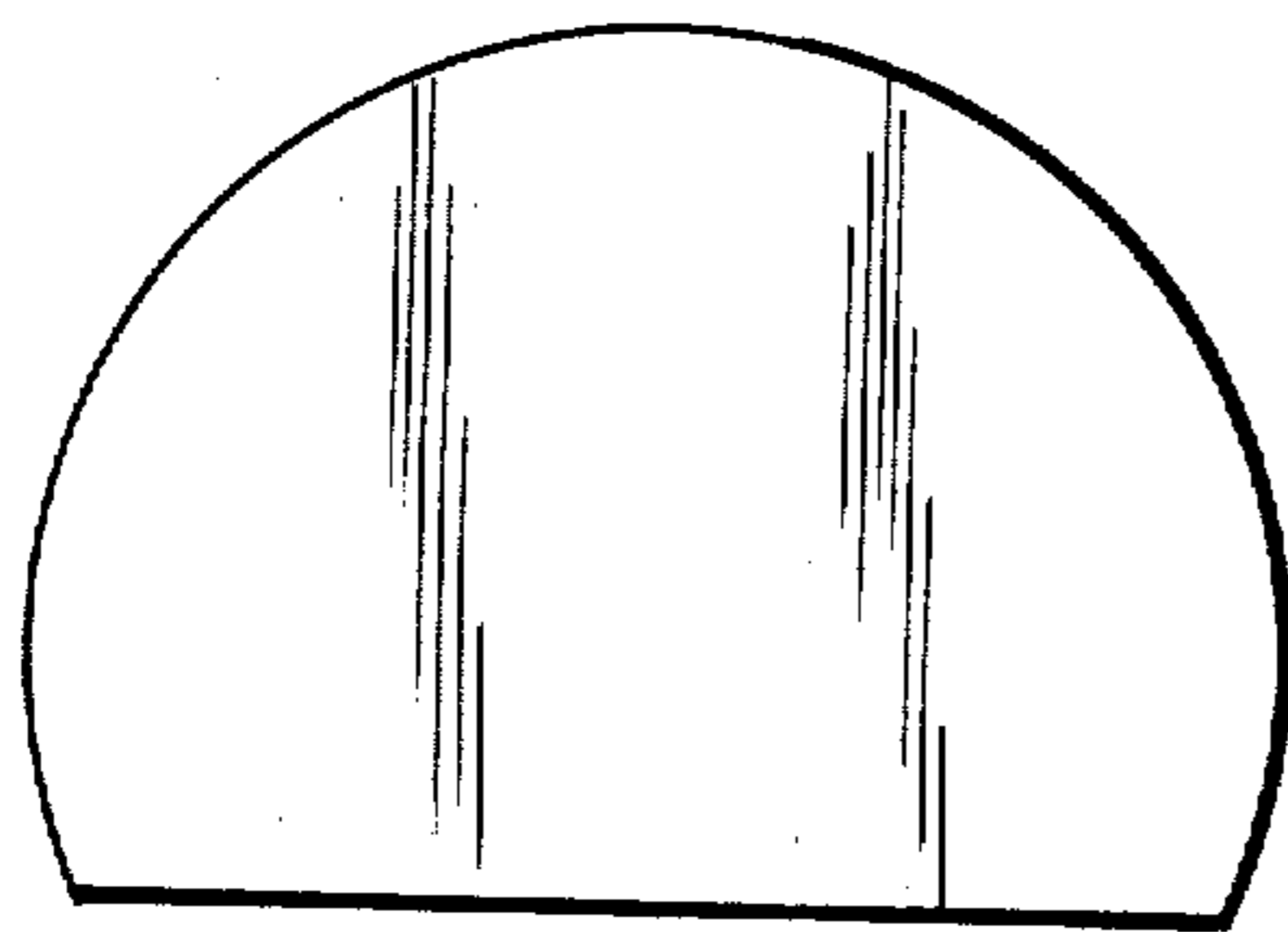


FIG. 3

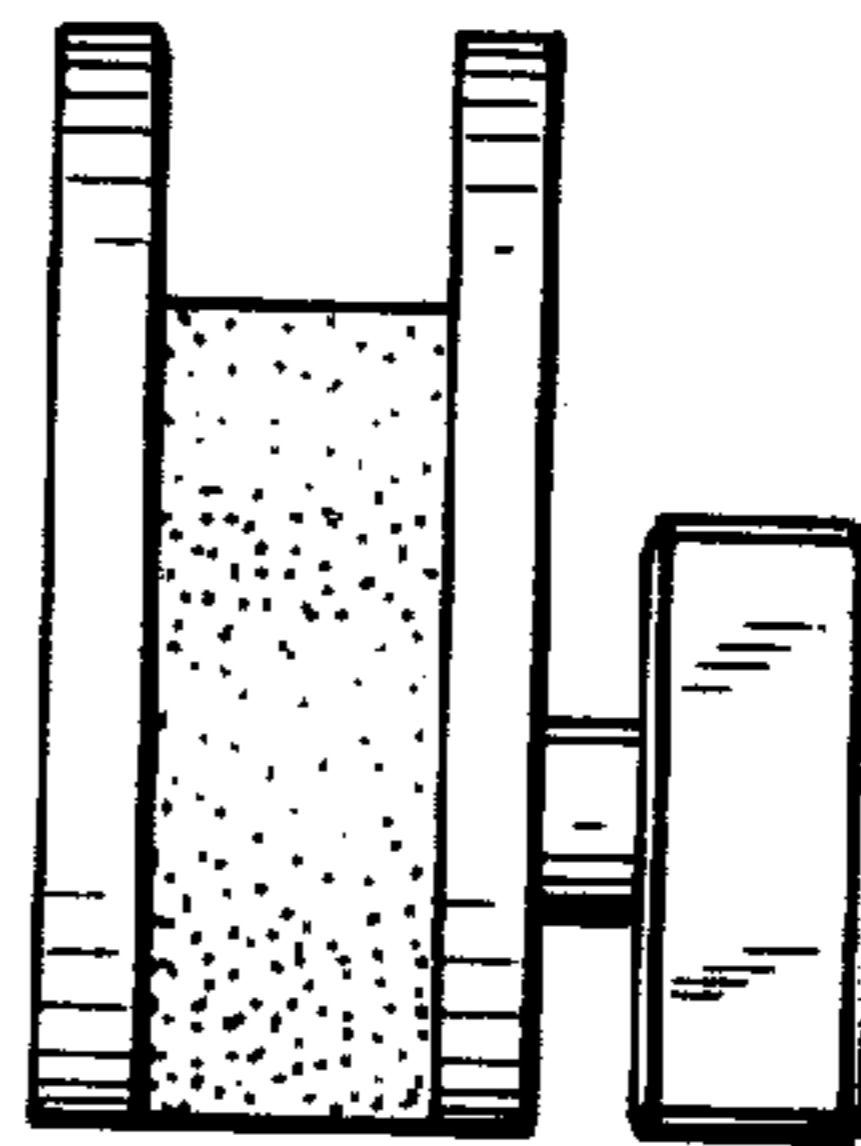


FIG. 2

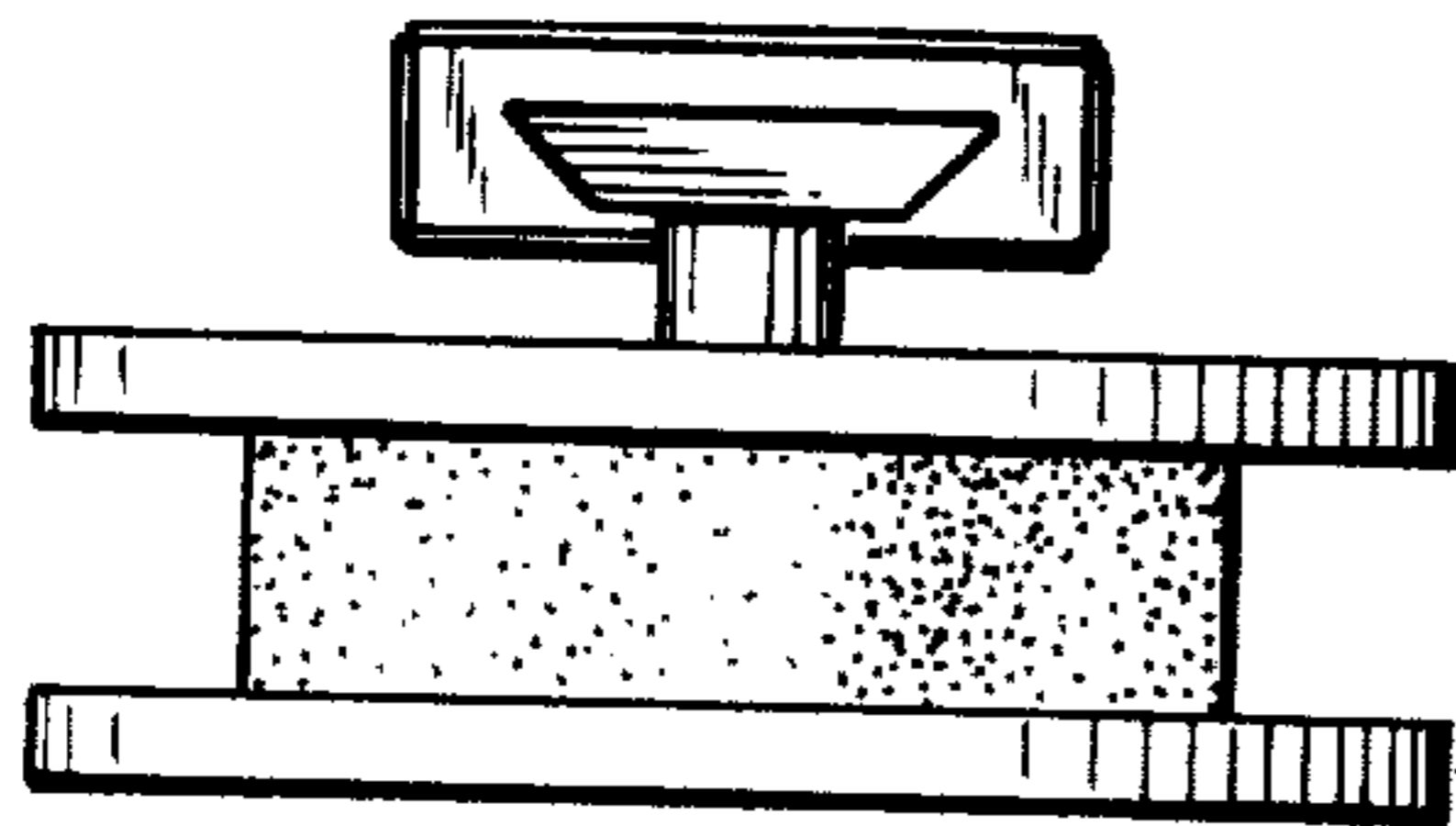


FIG. 4

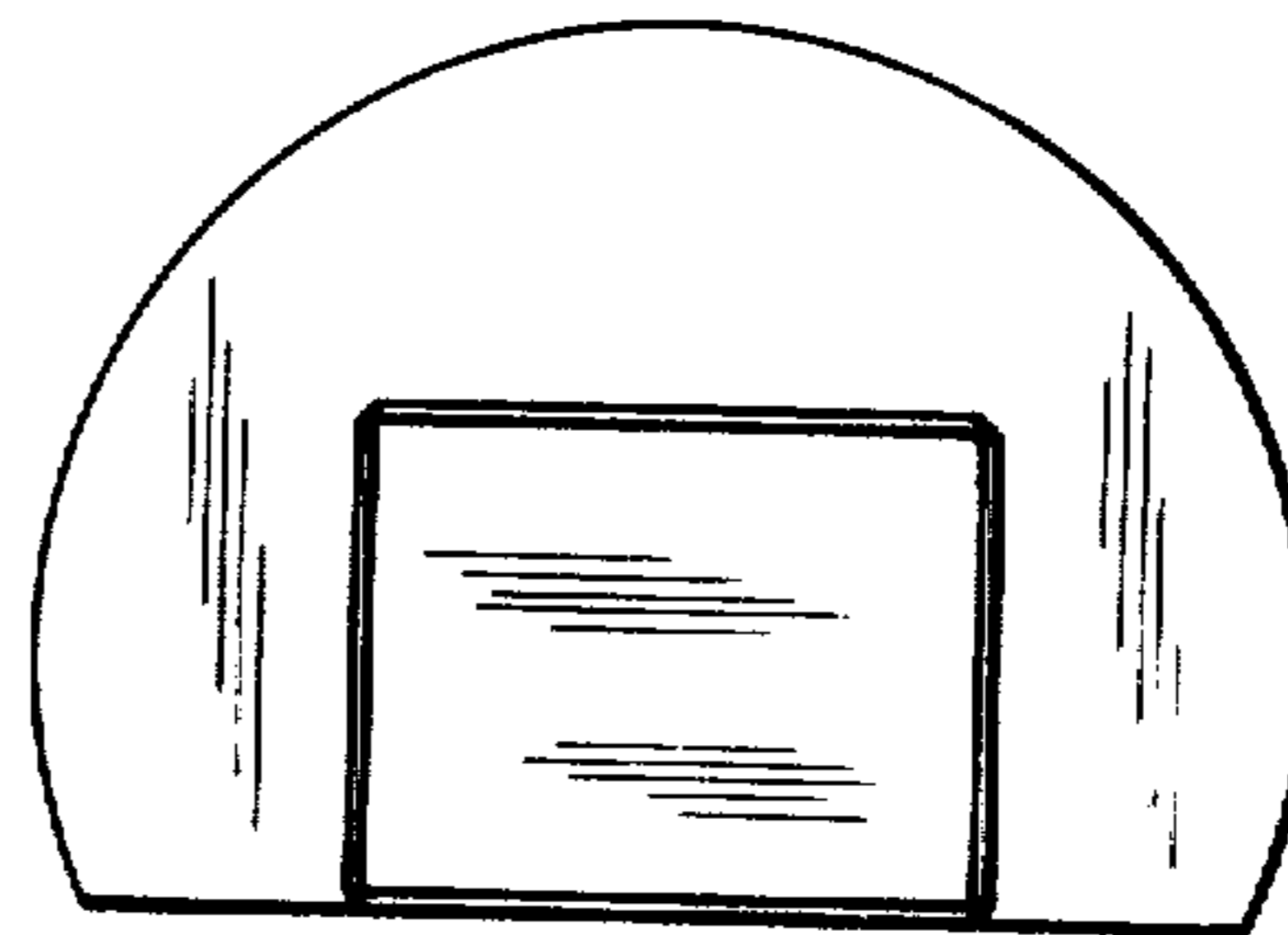


FIG. 5

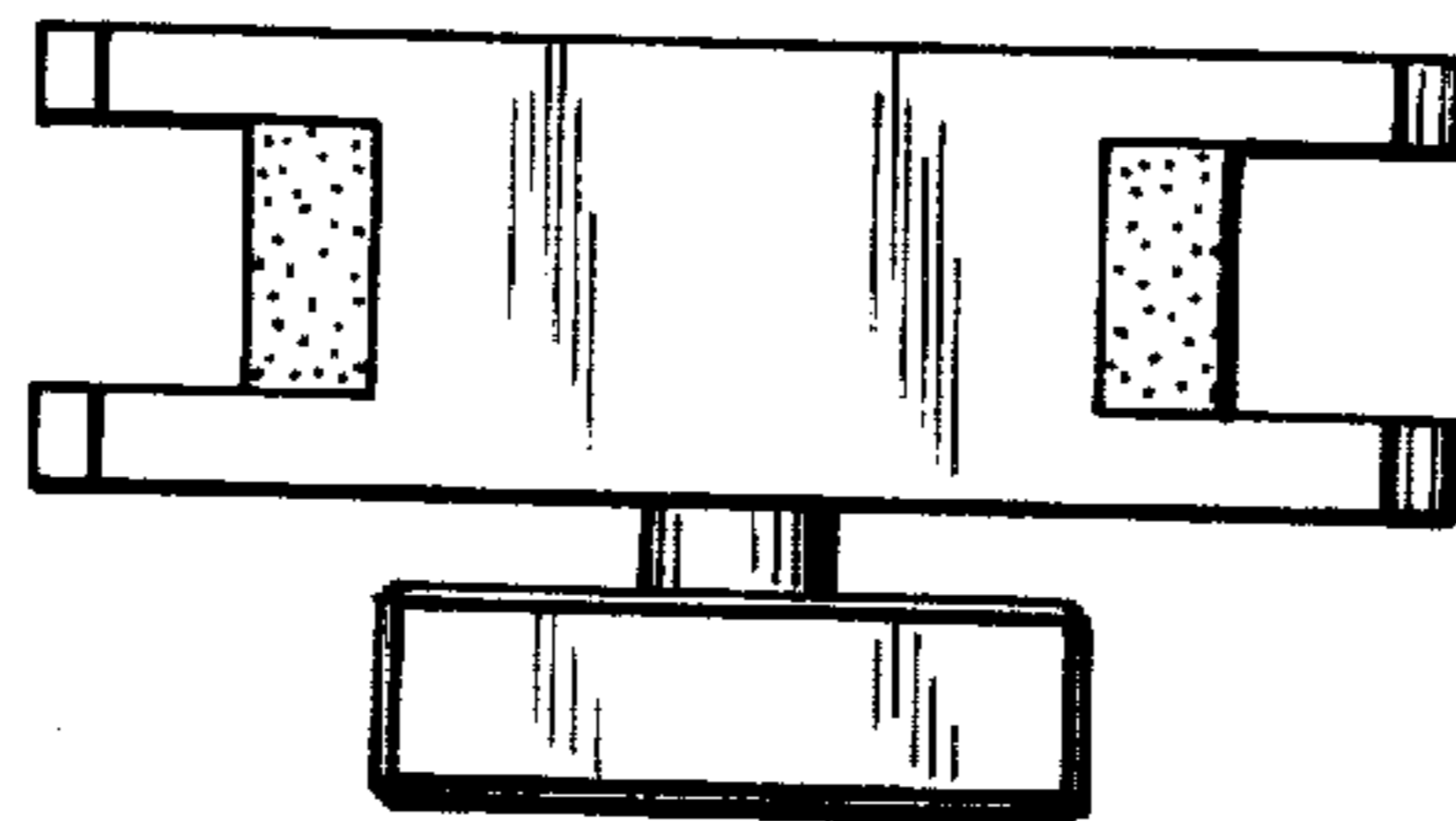


FIG. 6

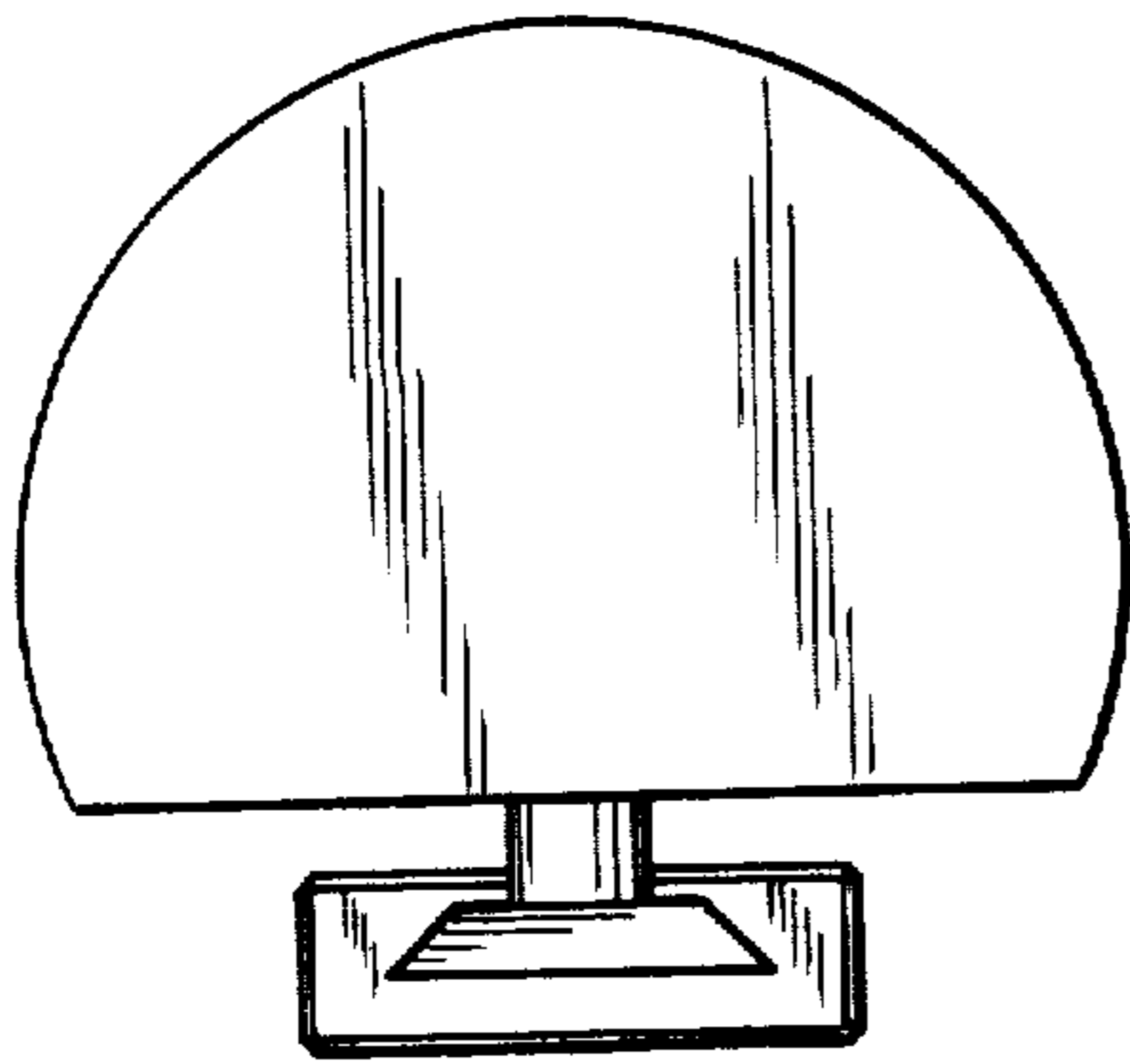


FIG. 8

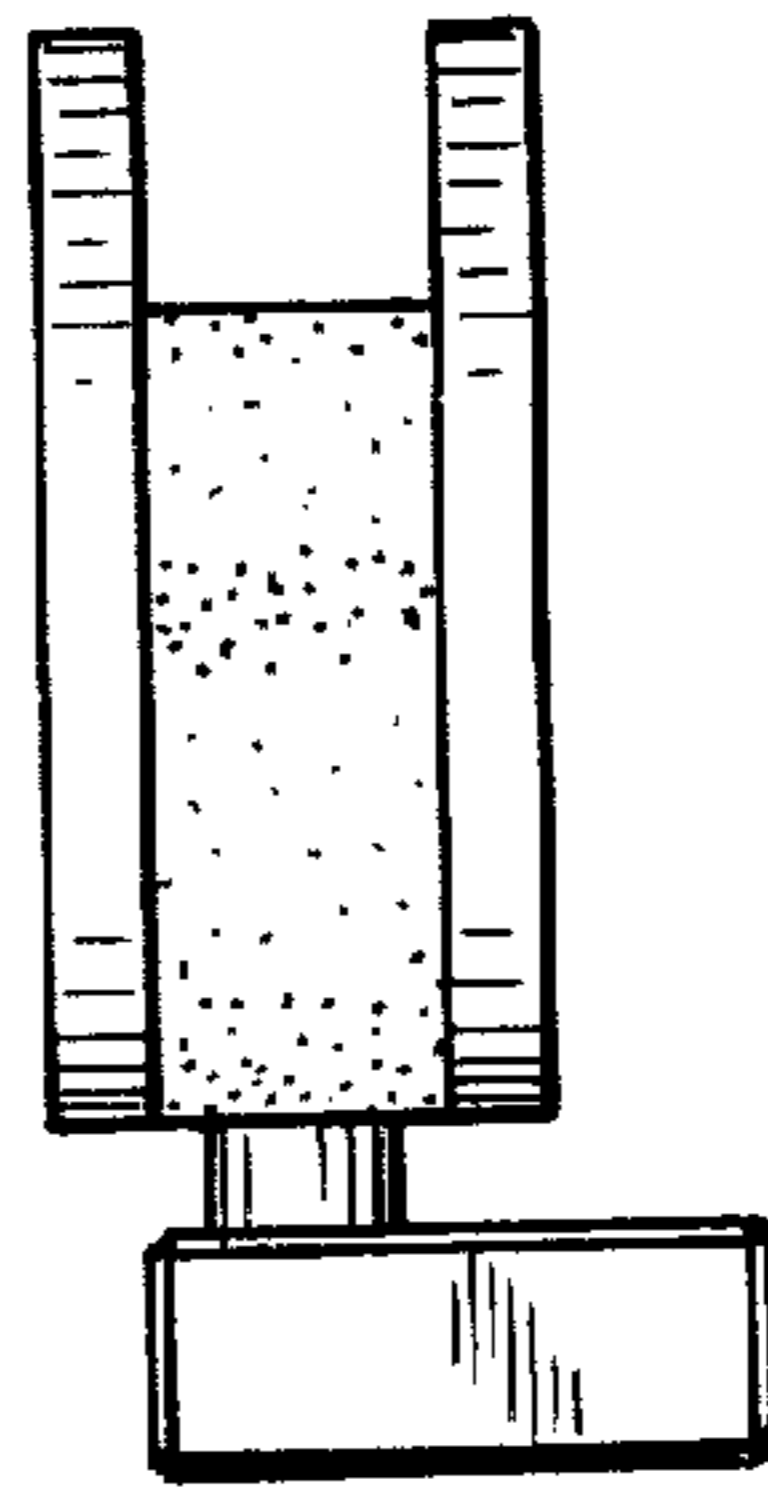


FIG. 7

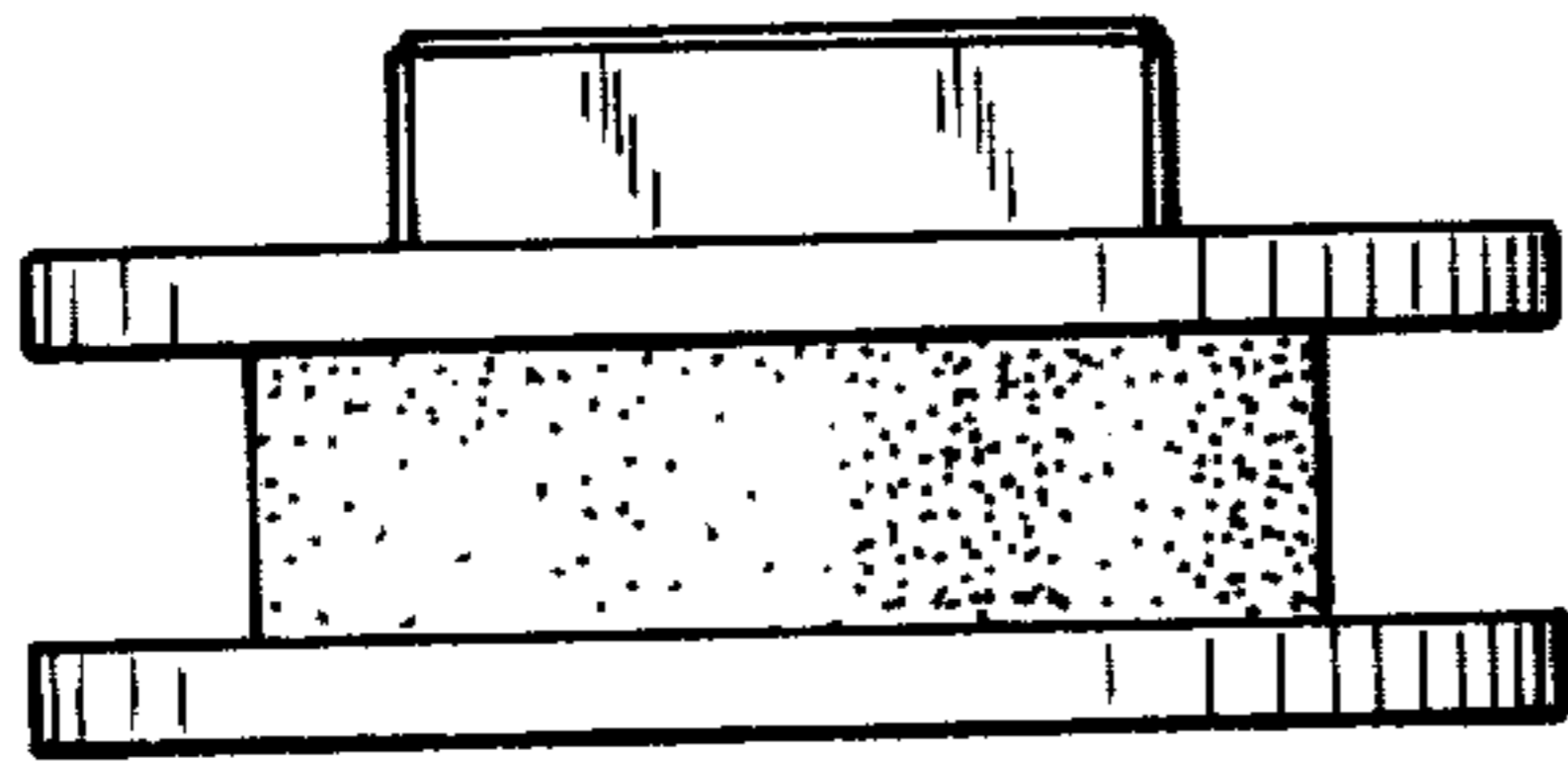


FIG. 9

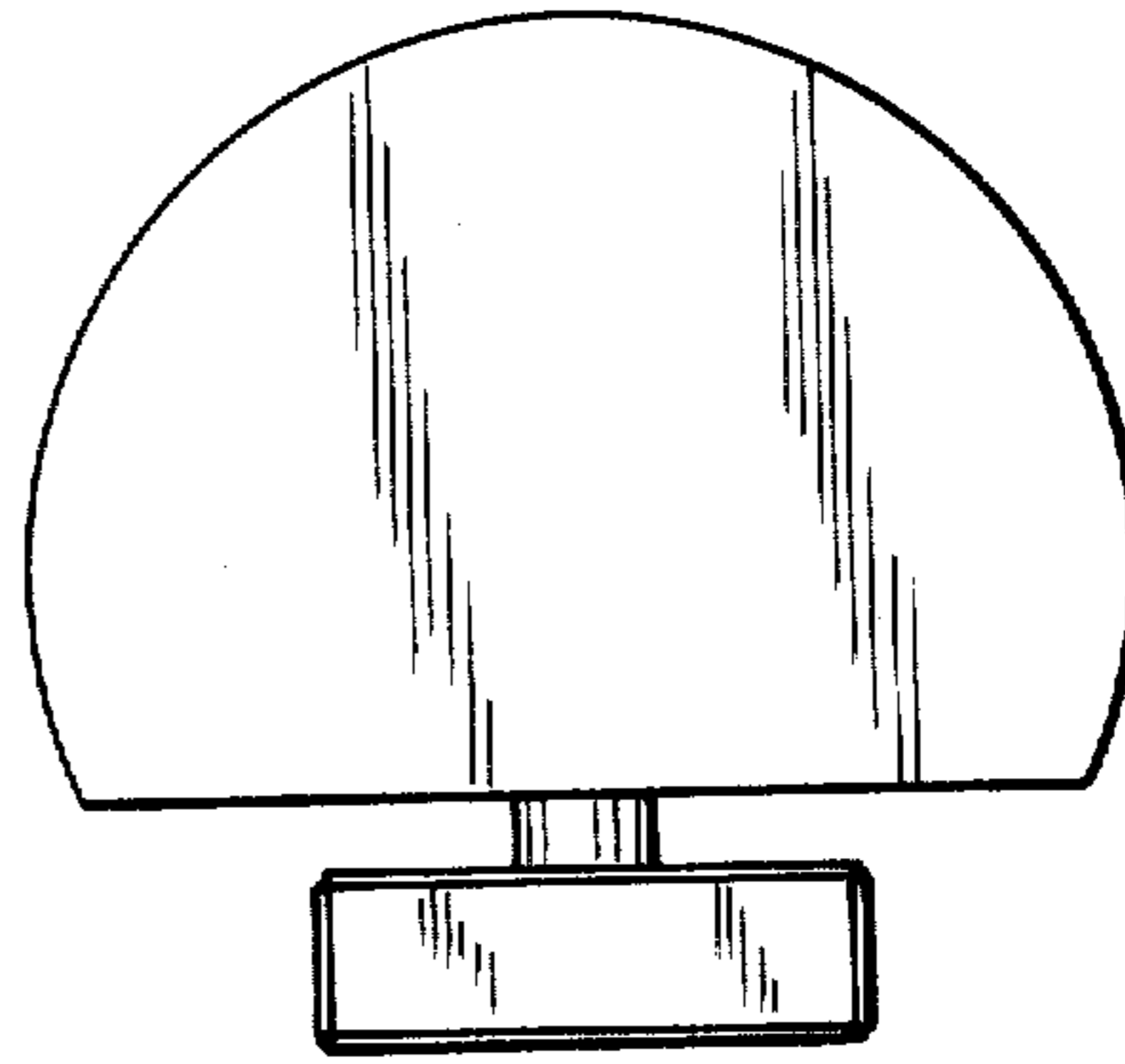


FIG. 10

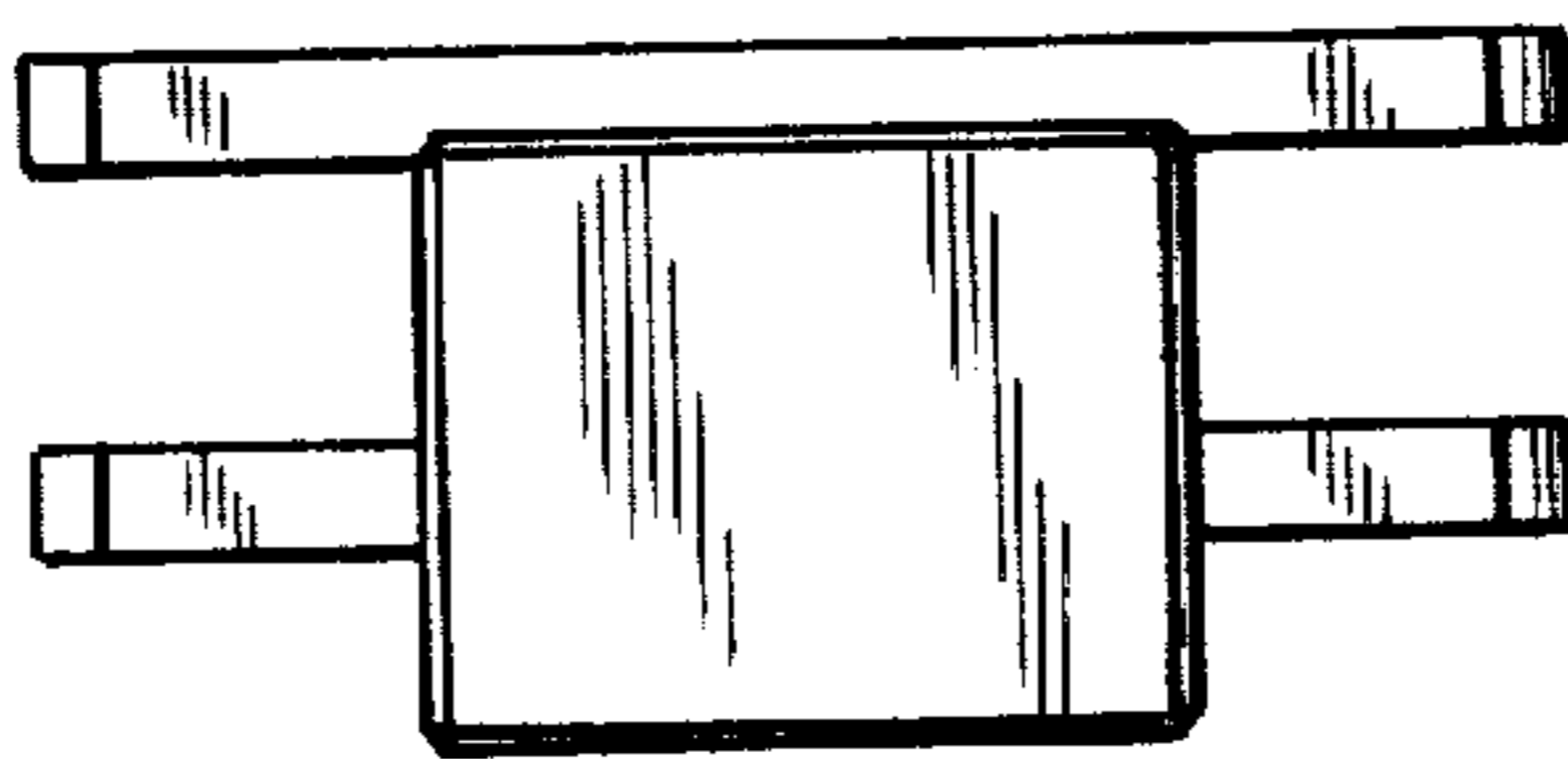


FIG. 11

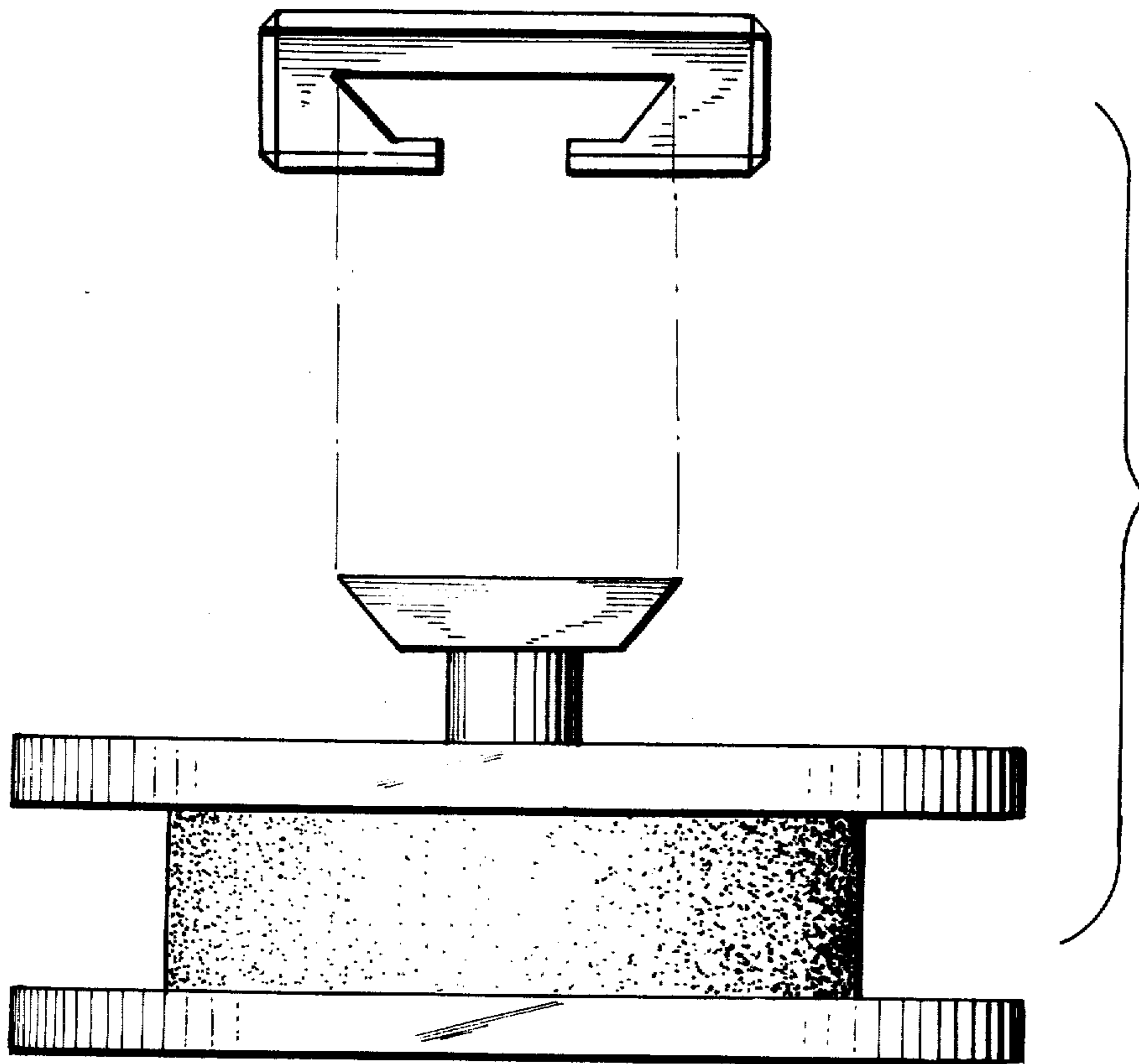
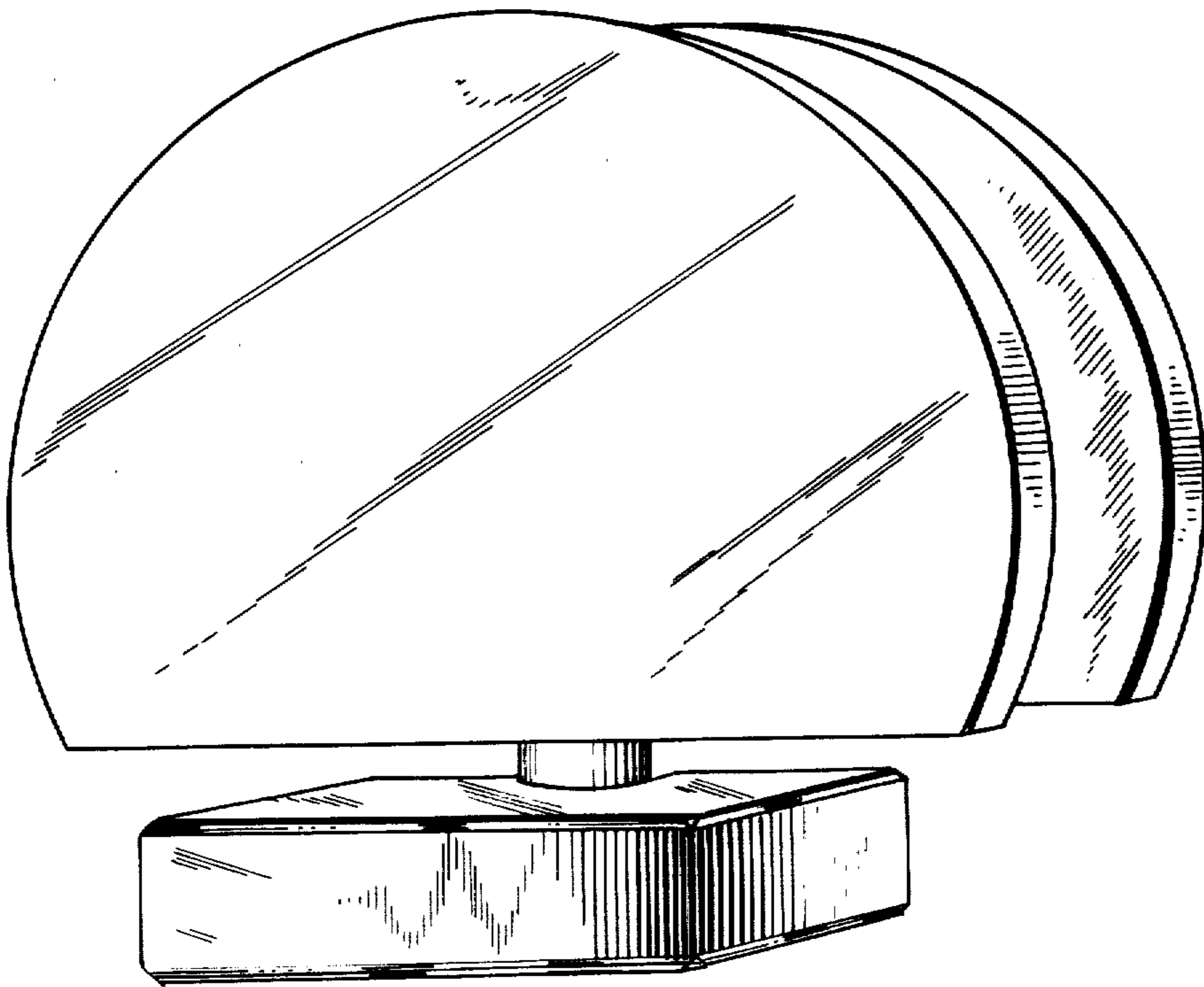


FIG. 12



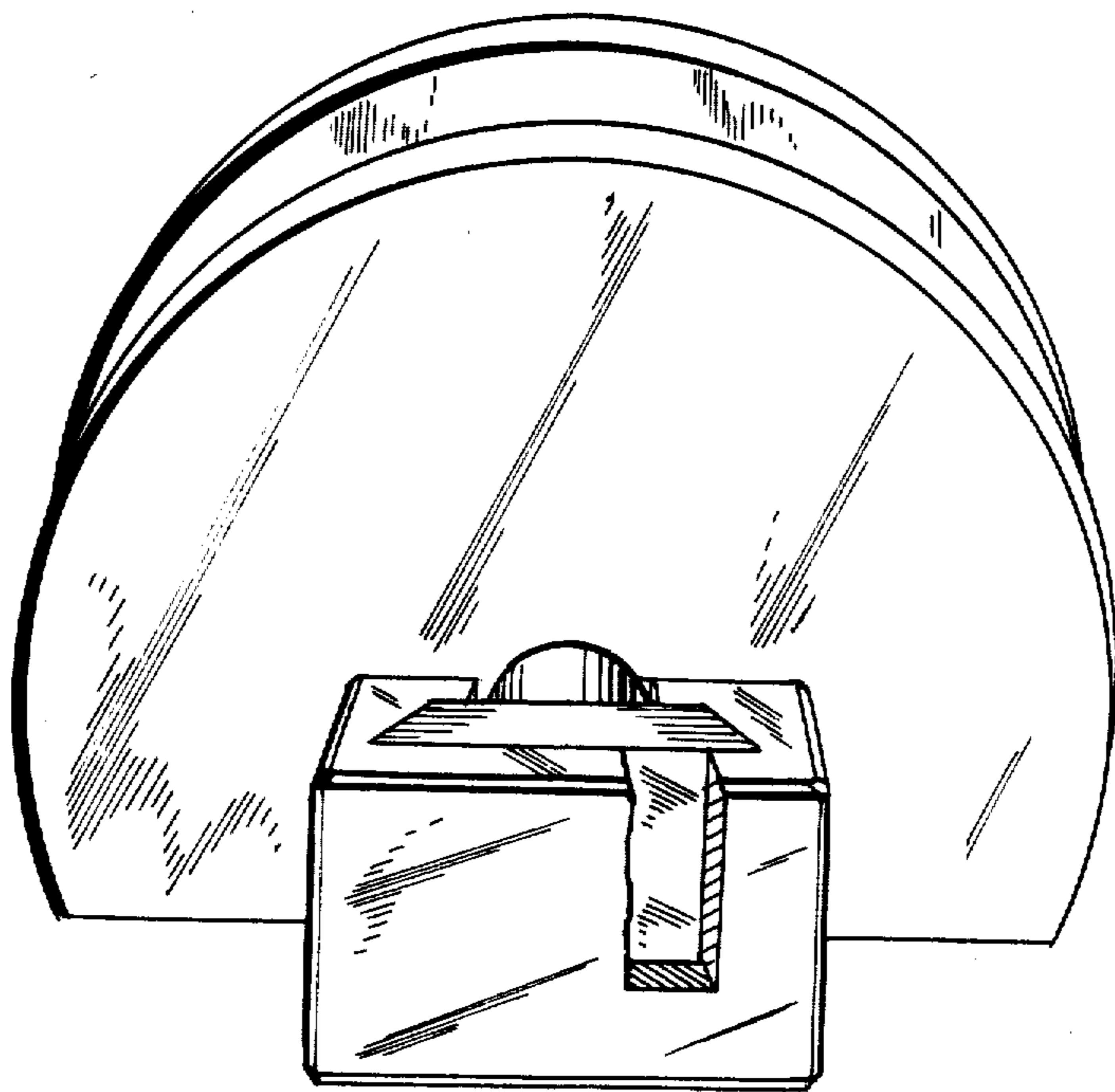


FIG. 13

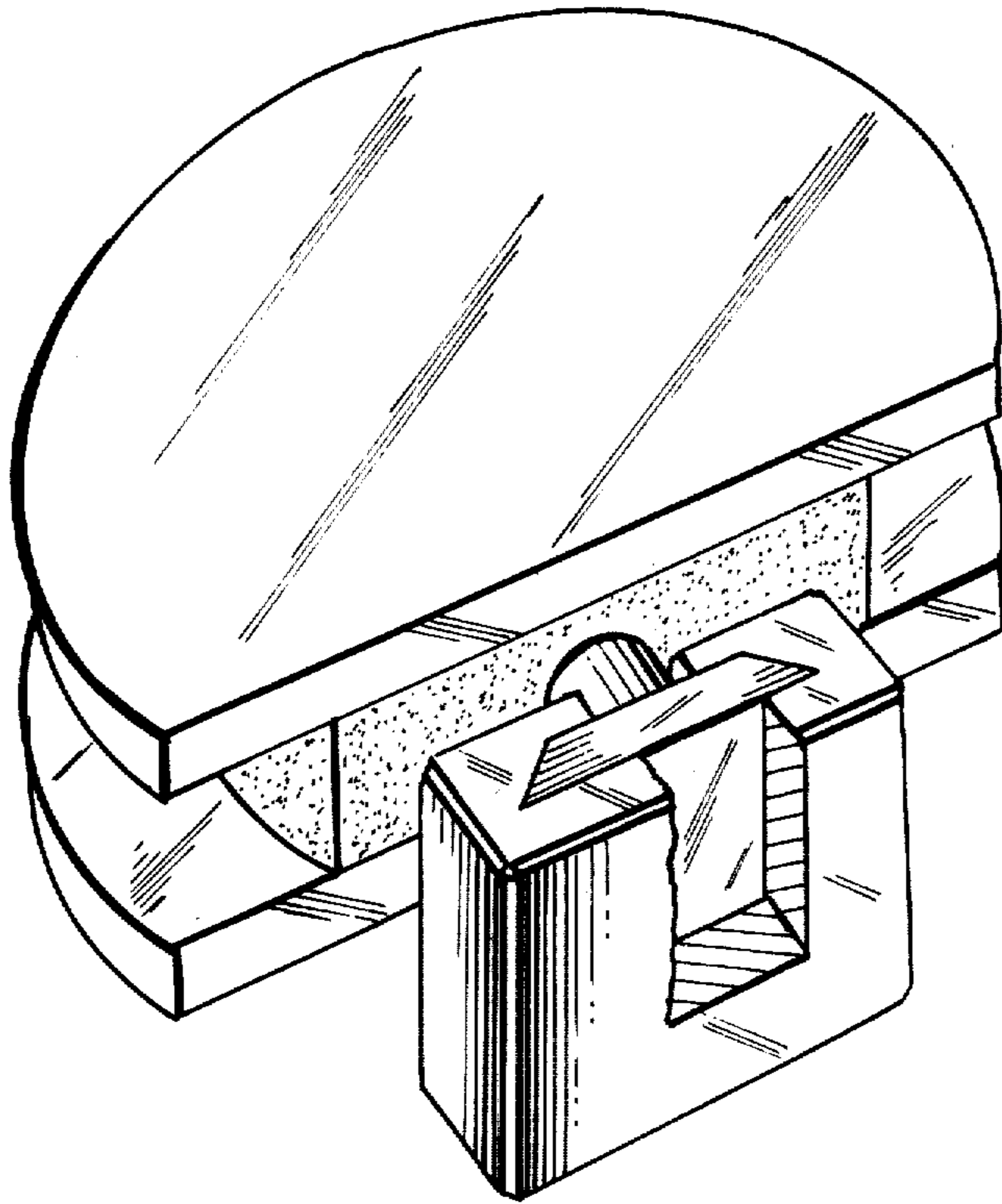


FIG. 14