

[54] **COMBINED PHOTOCOPIER, SORTER AND DOCUMENT FEEDER**

[75] Inventor: **Louis J. H. Lucker**, Tegelen, Netherlands

[73] Assignee: **Oce-Nederland B.V.**, Venlo, Netherlands

[\*\*] Term: **14 Years**

[21] Appl. No.: **128,302**

[22] Filed: **Mar. 7, 1980**

[30] **Foreign Application Priority Data**

Sep. 13, 1979 [XB] Benelux ..... 54043-00

[51] Int. Cl. .... **D16-03**

[52] U.S. Cl. .... **D16/30; D16/32**

[58] Field of Search ..... **D16/27-32; 271/3.1, 4, 9; 355/3 R, 3 SH, 14 SH**

[56] **References Cited**

**U.S. PATENT DOCUMENTS**

D. 230,515	2/1974	Hutcheson et al. ....	D16/30
D. 251,789	5/1979	Hoyt .....	D16/32
D. 258,964	4/1981	Bright et al. ....	D16/30
3,868,019	2/1975	Stemmler .....	D16/27

*Primary Examiner*—Leland A. Sebastian  
*Attorney, Agent, or Firm*—Albert C. Johnston

[57] **CLAIM**

The ornamental design for a combined photocopier, sorter and document feeder, substantially as shown and described.

**DESCRIPTION**

FIG. 1 is a perspective view of a combined photocopier, sorter and document feeder embodying the new design;

FIG. 2 is a top plan view thereof;

FIG. 3 is a left side elevational view thereof;

FIG. 4 is a front elevational view thereof;

FIG. 5 is a right side elevational view thereof; and

FIG. 6 is a rear elevational view thereof.

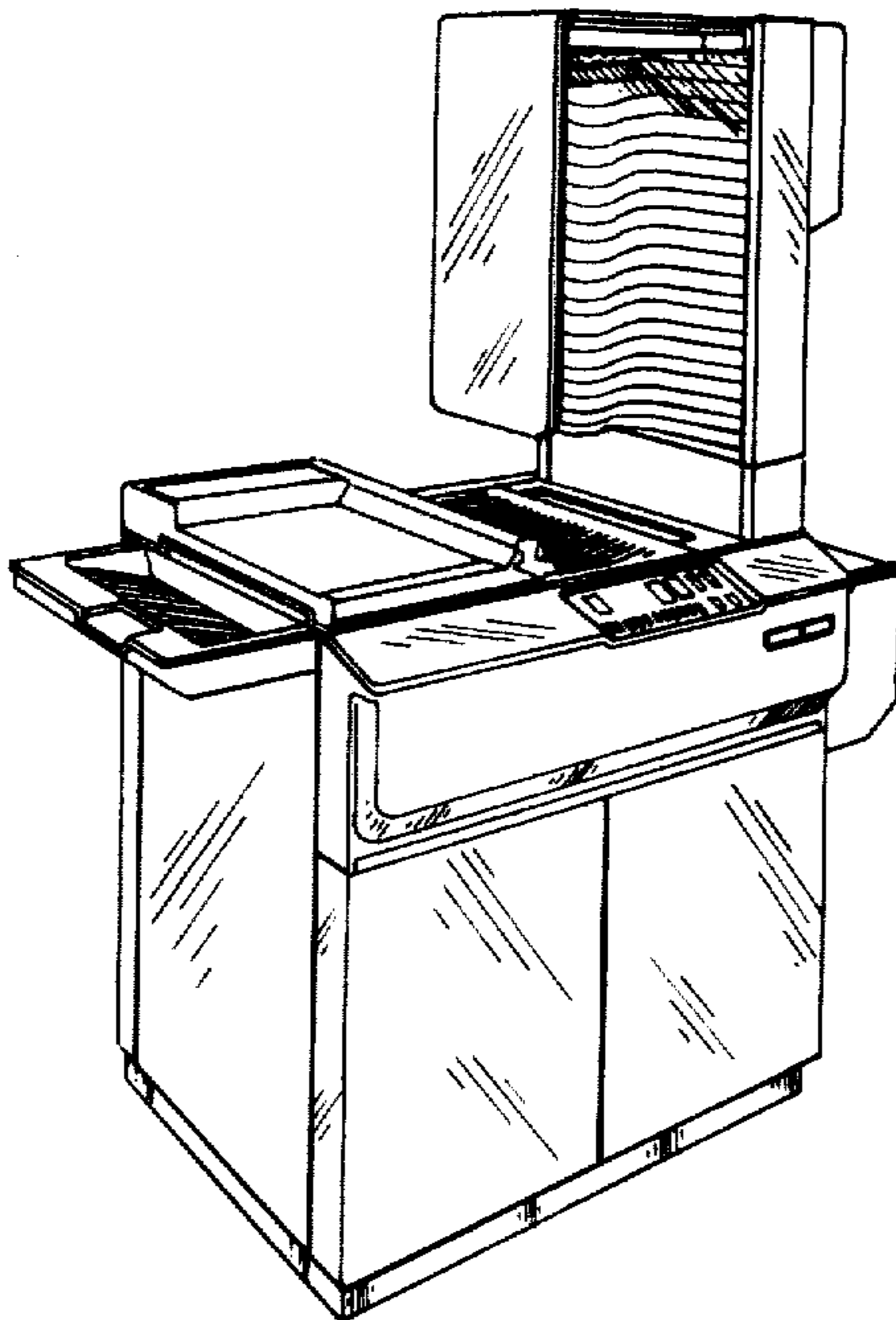


FIG. 1

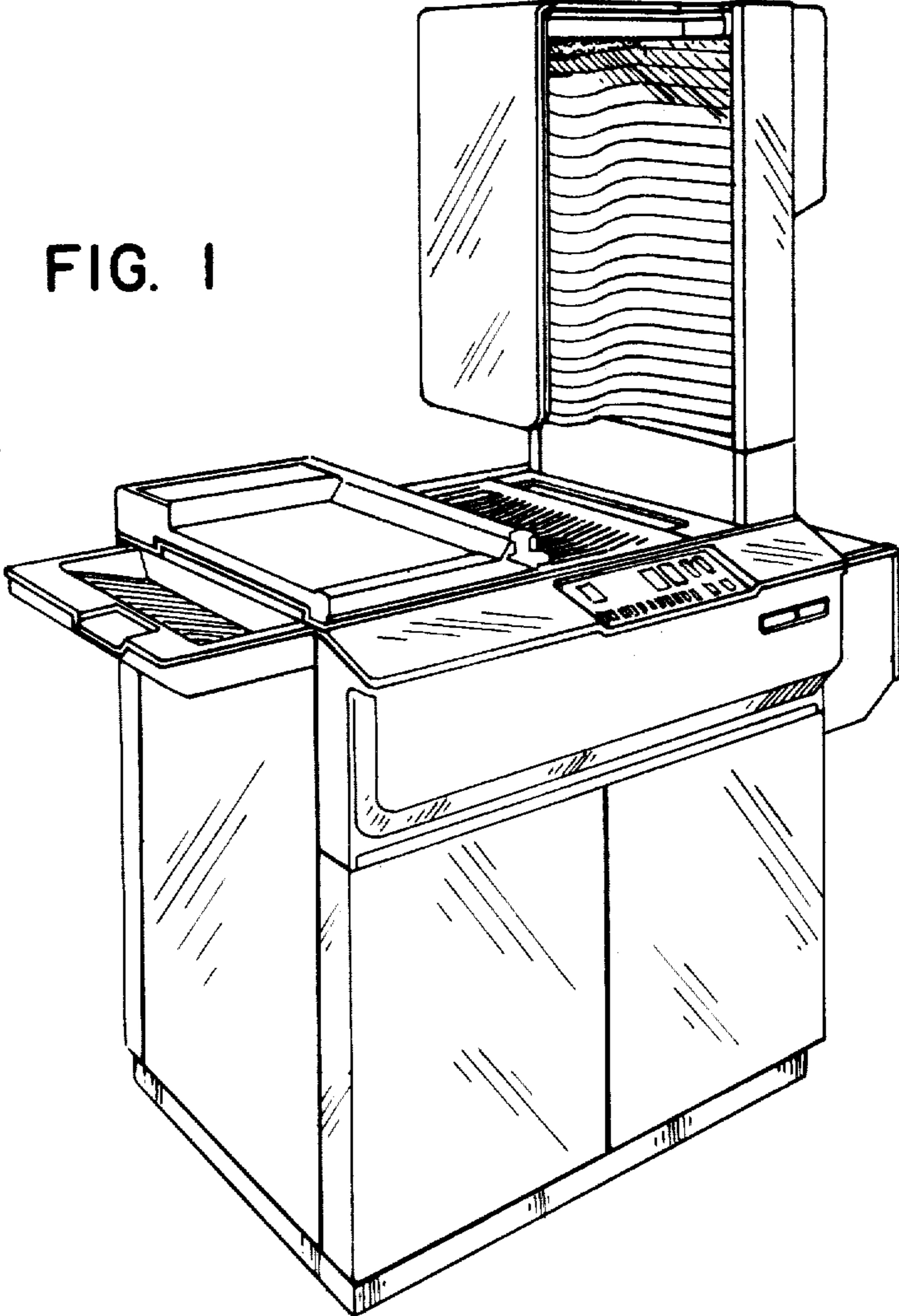


FIG. 2

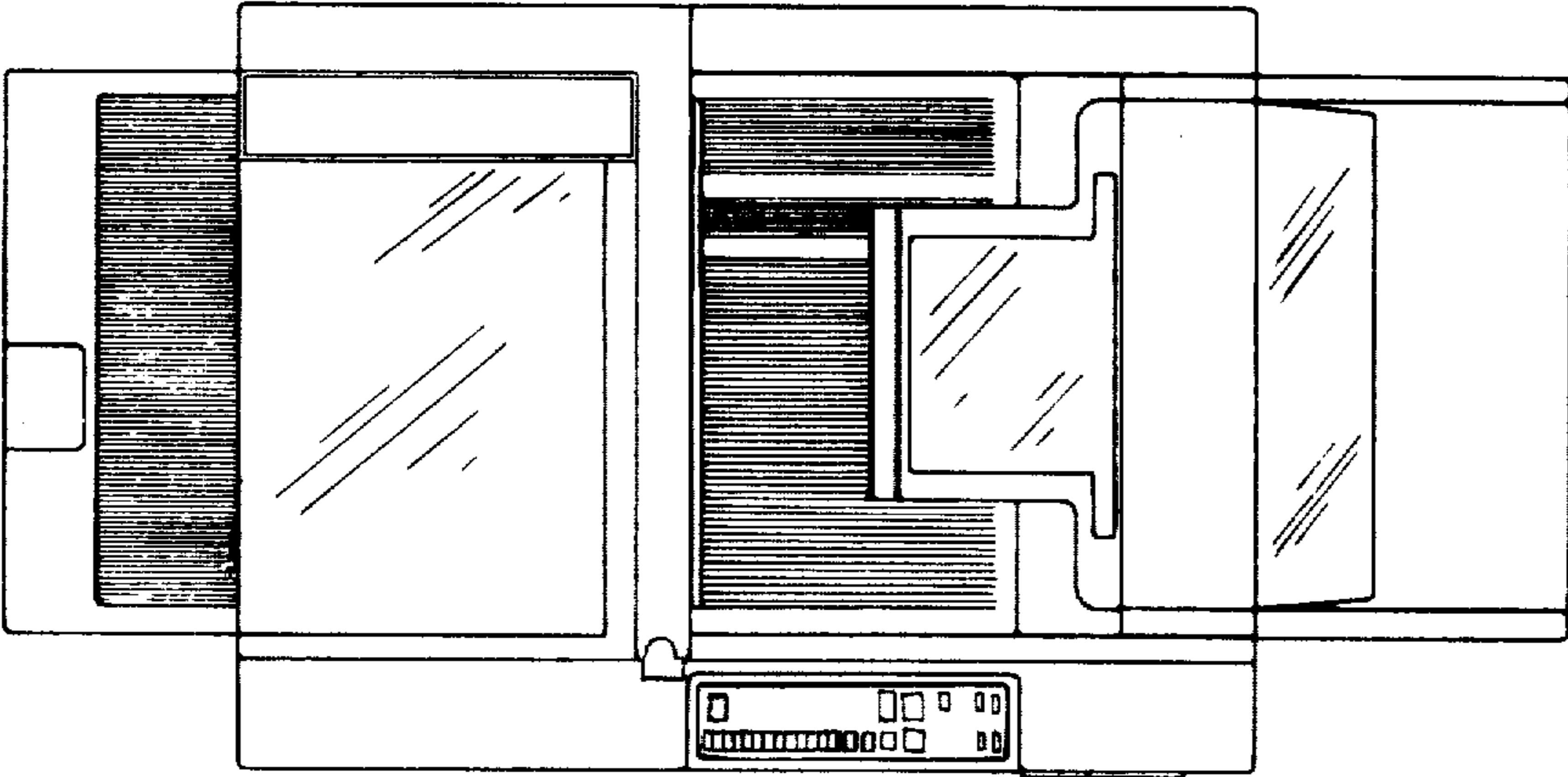


FIG. 3

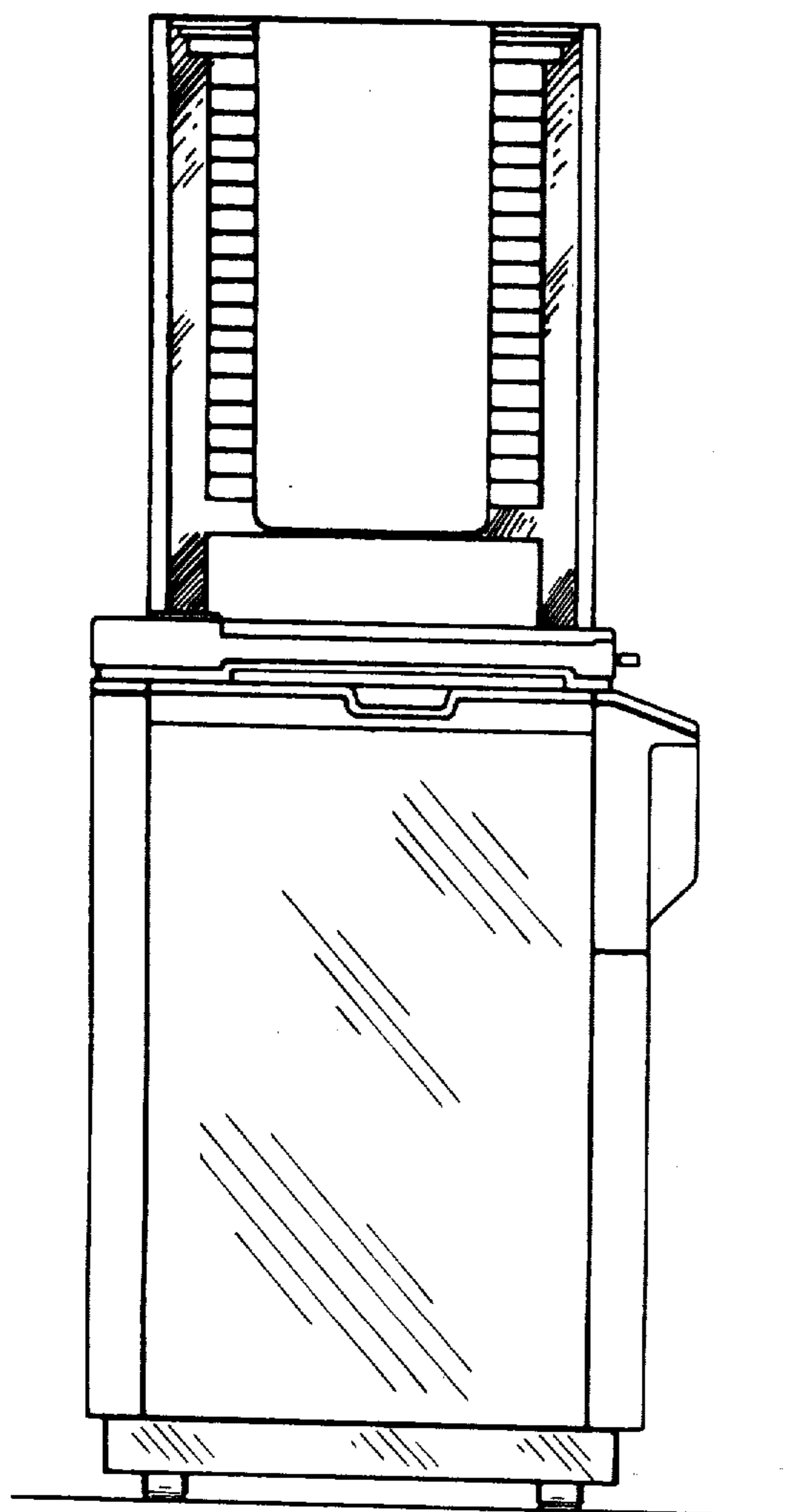


FIG. 5

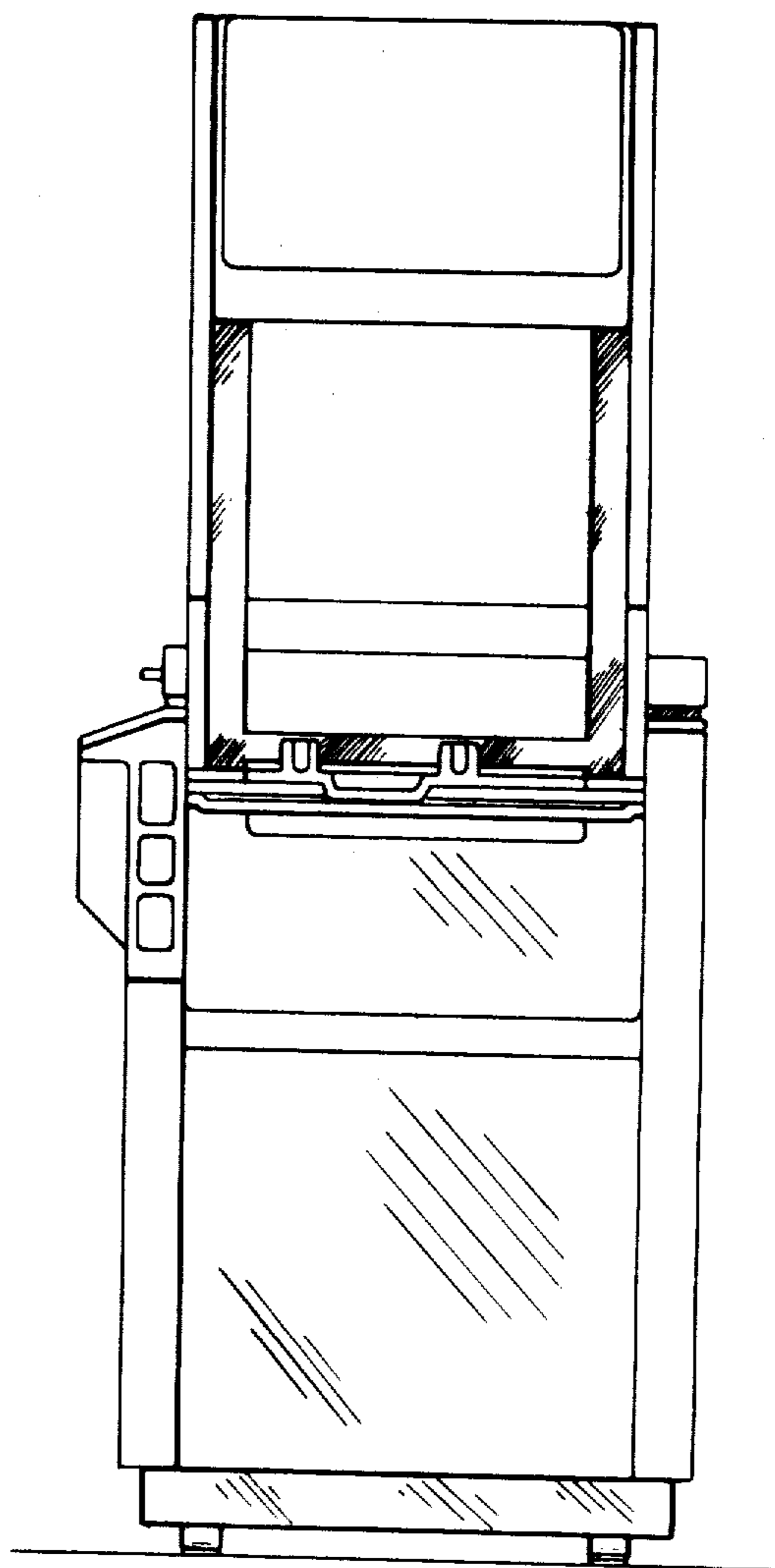


FIG. 4

