

[54] **PISTON WORKING FIXTURE**

[76] Inventor: **James R. Crum**, P.O. Box 1271, St. Charles, Mo. 63301

[**] Term: **14 Years**

[21] Appl. No.: **202,615**

[22] Filed: **Oct. 31, 1980**

[51] Int. Cl. **D15-09; D8-05**

[52] U.S. Cl. **D15/140; D8/71**

[58] Field of Search **D8/71; D15/140, 122, D15/127; 269/47, 49, 52, DIG. 900**

1,942,569 1/1934 Prochaska 269/47
 2,100,534 11/1937 Zimmerman 269/47
 4,073,215 2/1978 Coope 269/900

Primary Examiner—B. J. Bullock
Attorney, Agent, or Firm—Polster, Polster and Lucchesi

[57] **CLAIM**

The ornamental design for a piston working fixture, as shown and described.

DESCRIPTION

FIG. 1 is a perspective view of a piston working fixture embodying my new design;
 FIG. 2 is a top plan view thereof;
 FIG. 3 is a front elevational view thereof;
 FIG. 4 is a side elevational view taken from the right of FIG. 3, the side opposite being a mirror image thereof;
 FIG. 5 is a rear elevational view thereof;
 FIG. 6 is a bottom plan view thereof.

[56] **References Cited**
U.S. PATENT DOCUMENTS

1,500,264 7/1924 Peterson 269/52
 1,589,085 6/1926 Anderson et al. 269/47
 1,761,366 6/1930 Reutter 269/52

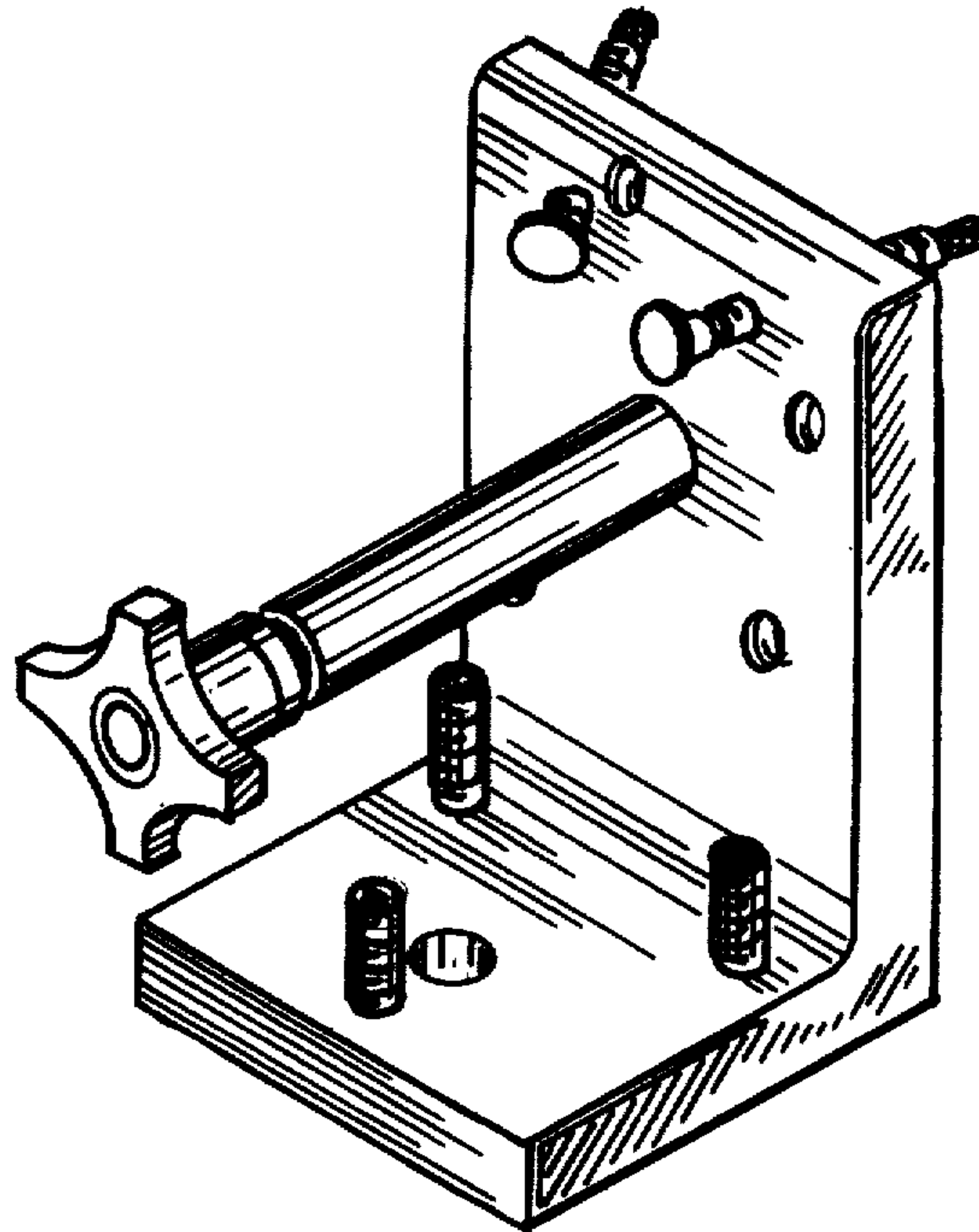


FIG. 1.

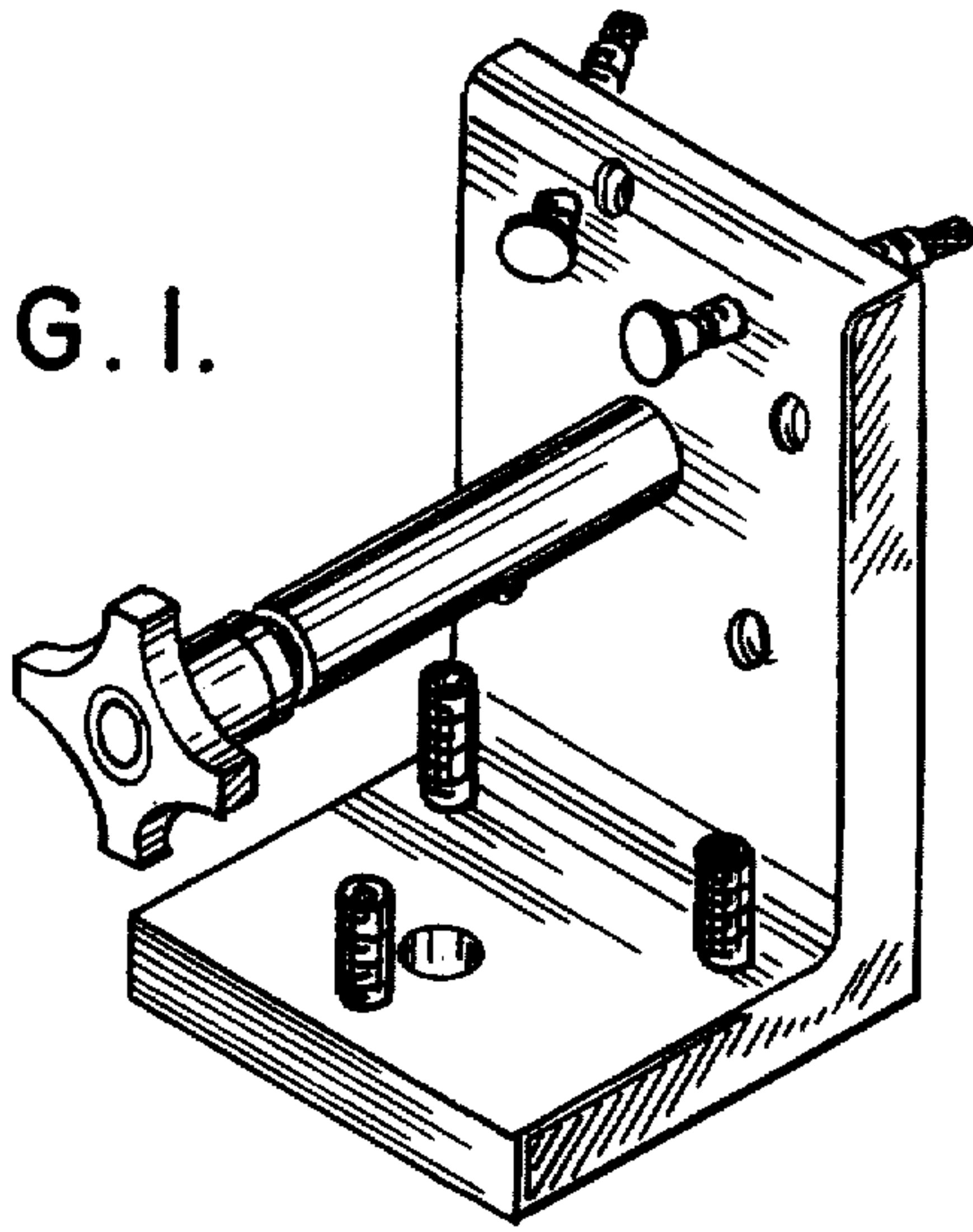


FIG. 2.

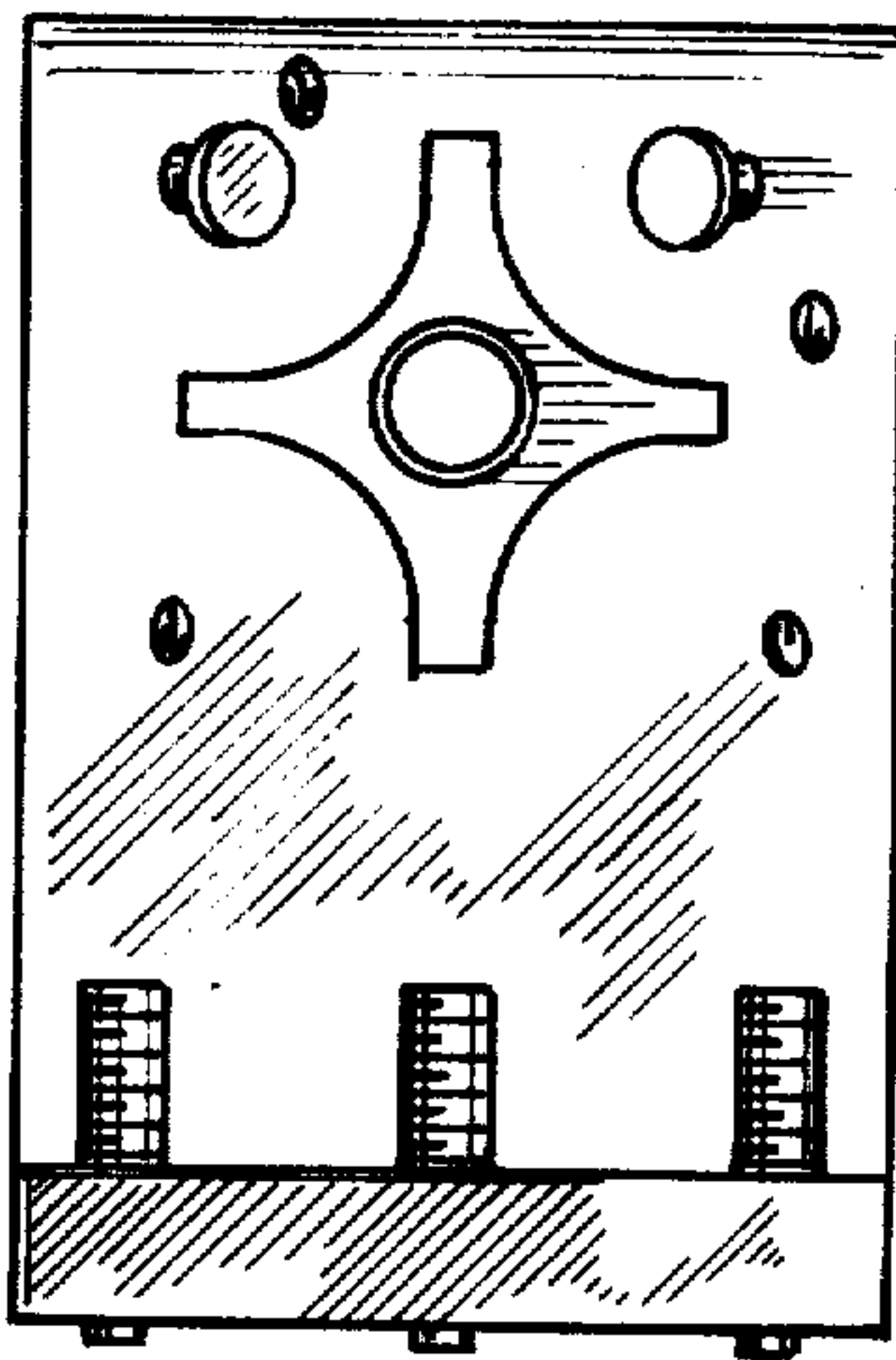
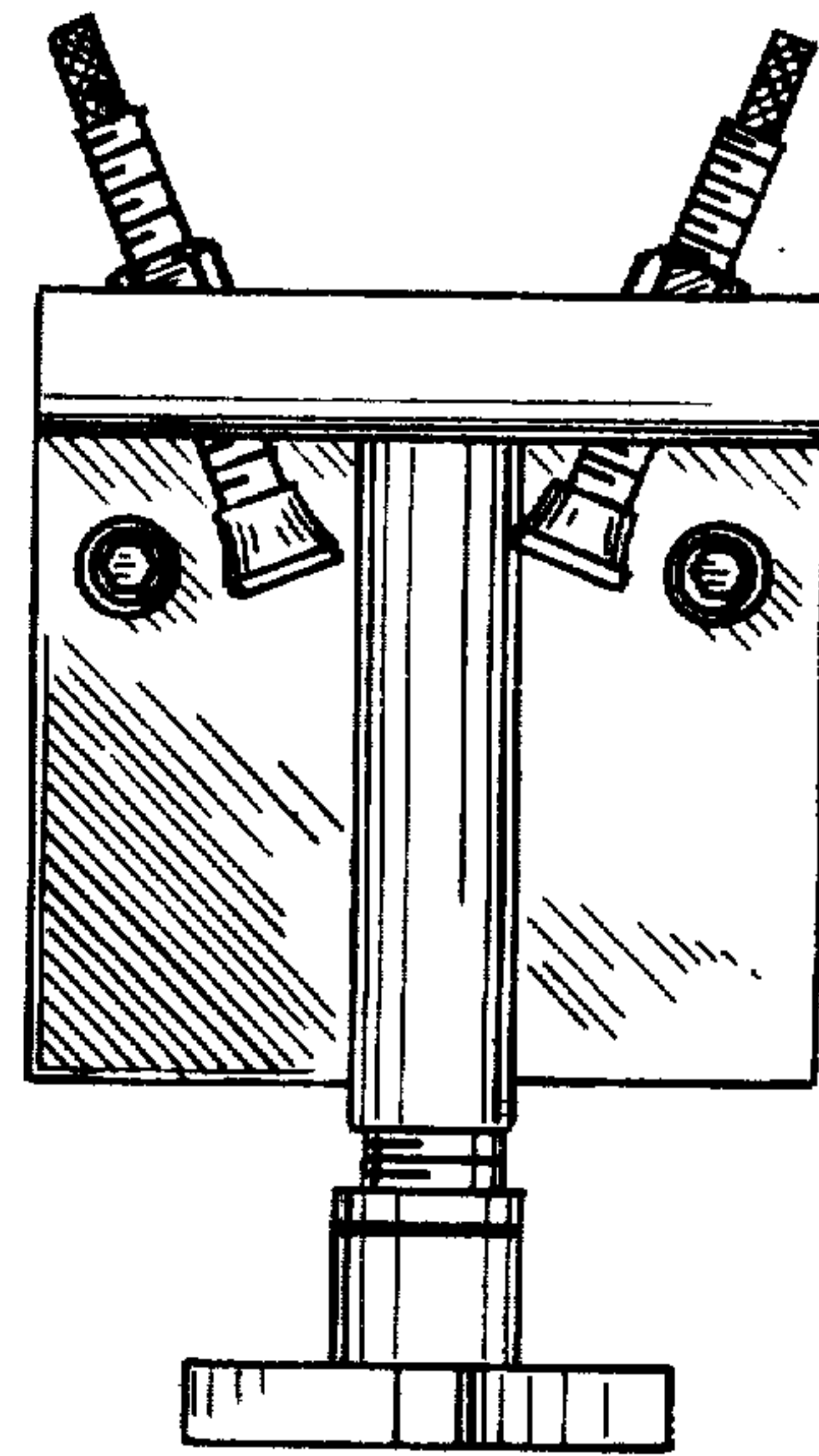


FIG. 3.

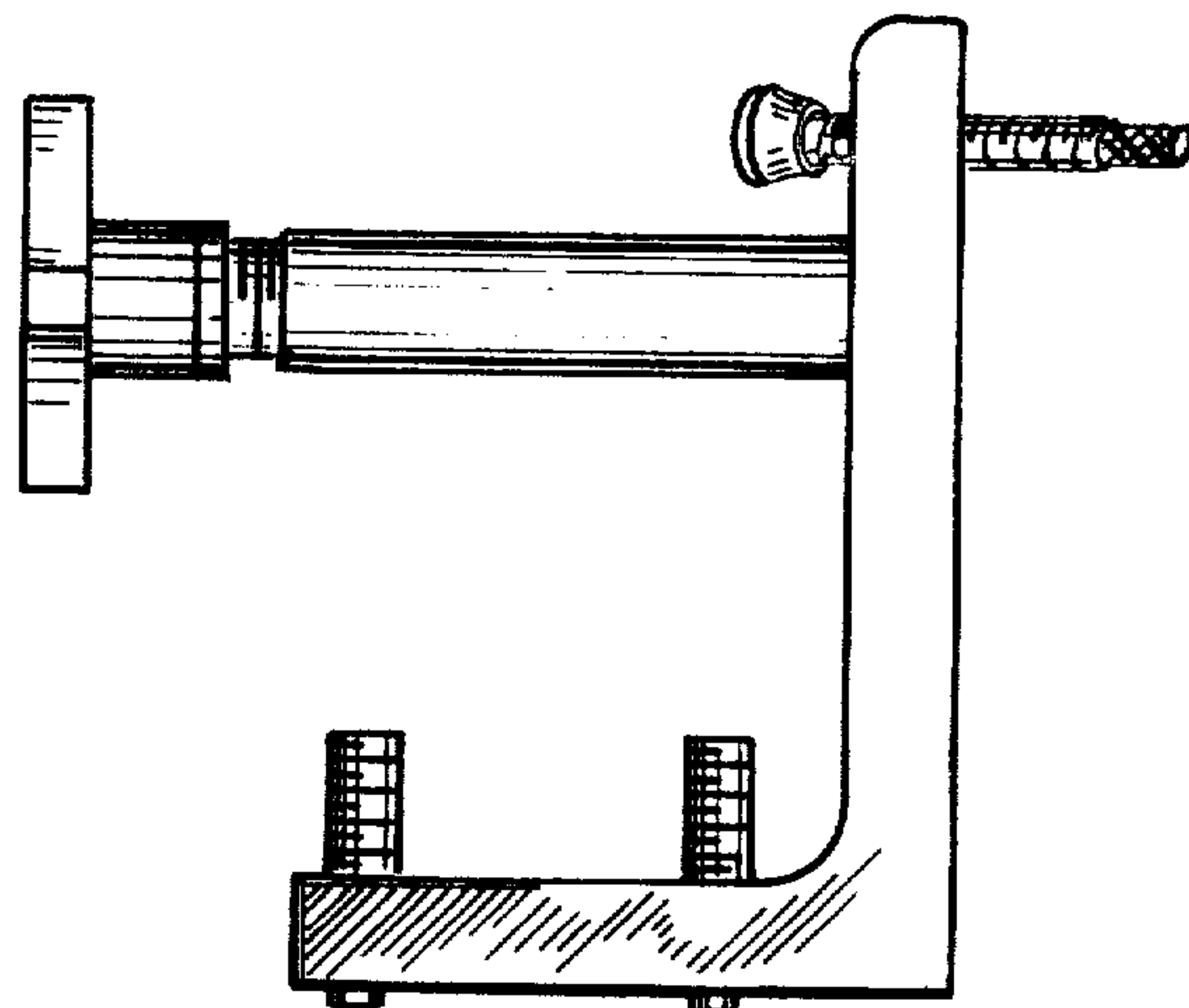


FIG. 4.

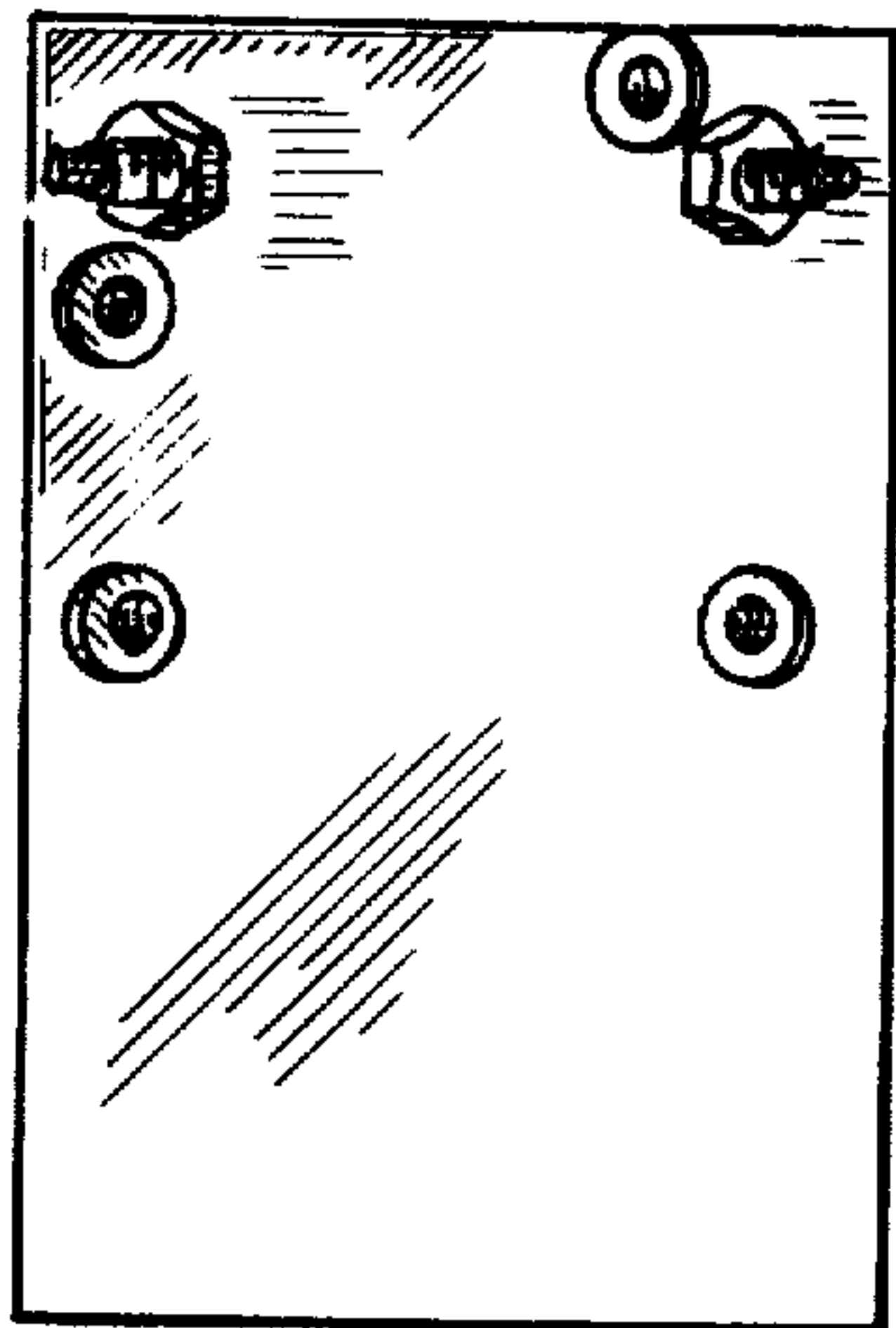


FIG. 5.

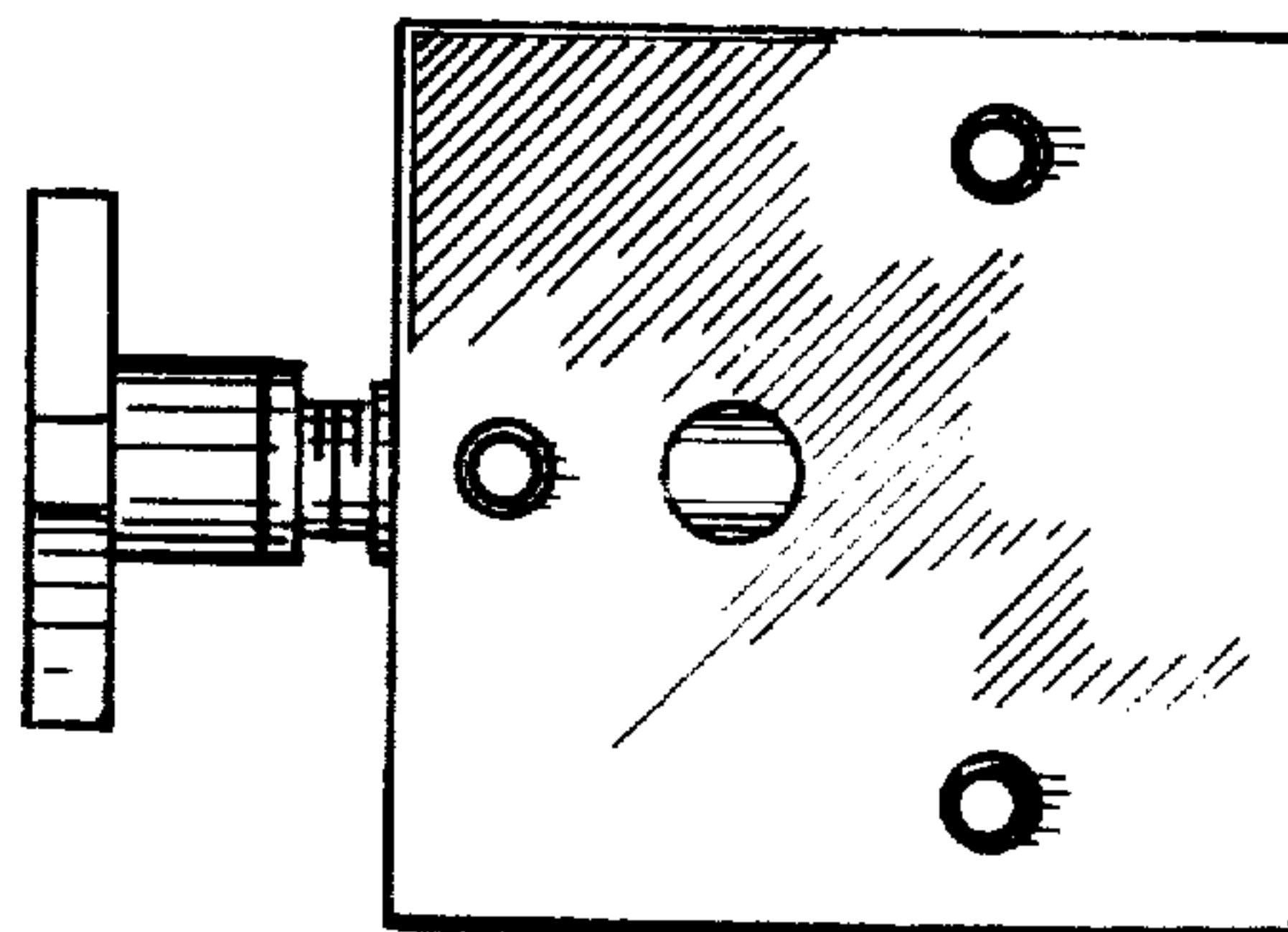


FIG. 6.