

[54] LARGE TELEPHONE KEYSSET WITH DISPLAY

D. 259,212 5/1981 Foggia D14/53
4,153,822 5/1979 Ueda et al. 179/100 R X
4,286,124 8/1981 Guttman 179/100 D X

[75] Inventors: Donald A. Foggia, Ocean, N.J.;
Deepak R. Muzumdar, Boca Raton,
Fla.; Gerhart F. Klaiber, Boca Raton,
Fla.; Rolf E. Schneider, Boca Raton,
Fla.

OTHER PUBLICATIONS

Telephony, Mar. 12, 1979, p. 49, Digital Telephone System Inc.

[73] Assignee: Siemens Corporation, Iselin, N.J.

Primary Examiner—Bernard Ansher
Attorney, Agent, or Firm—Karl F. Milde, Jr.

[**] Term: 14 Years

[57] CLAIM

[21] Appl. No.: 199,985

The ornamental design for a large telephone keyset with display, as shown and described.

[22] Filed: Oct. 23, 1980

DESCRIPTION

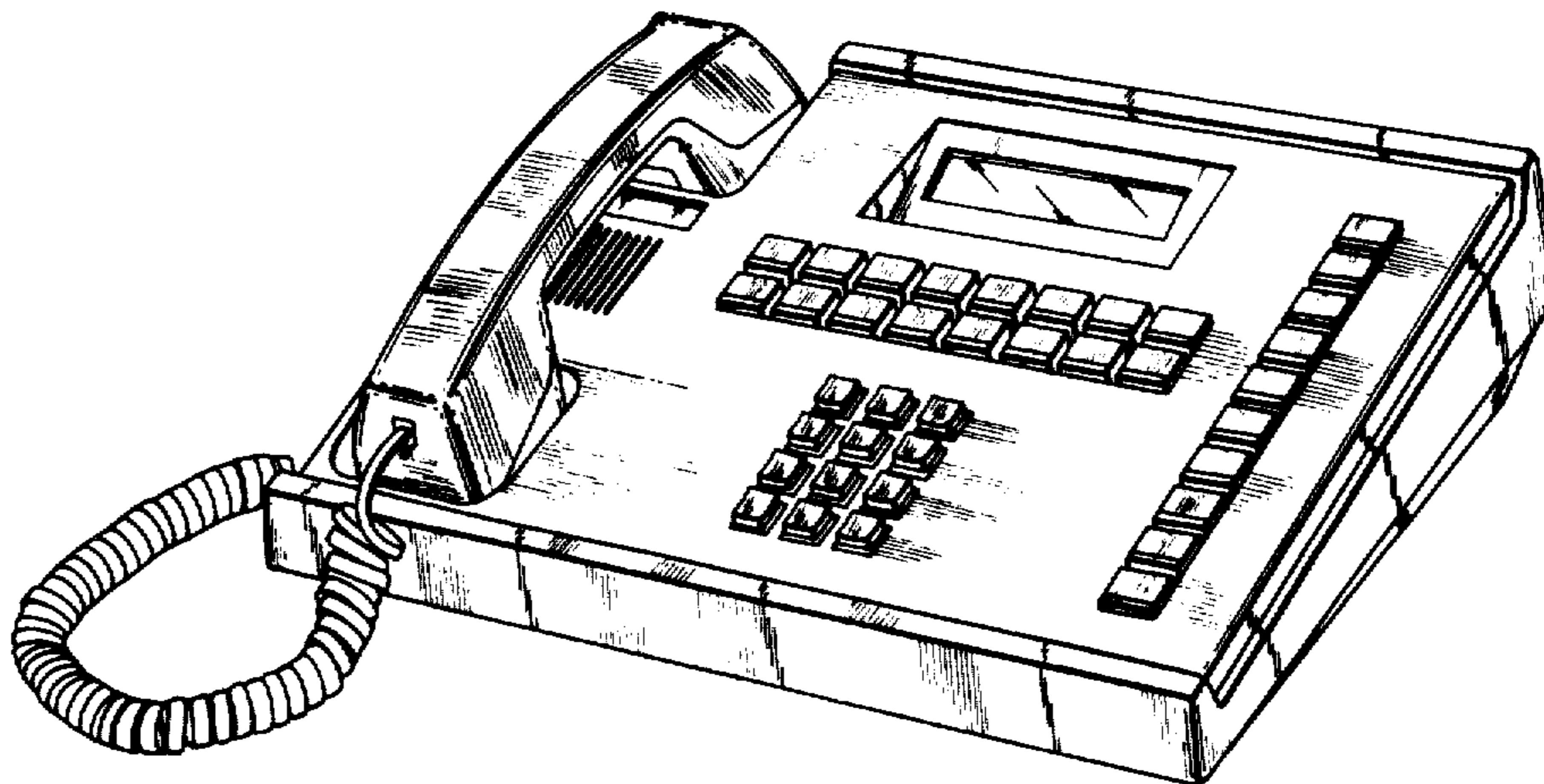
[51] Int. Cl. D14-03
[52] U.S. Cl. D14/58; D14/53
[58] Field of Search D14/52, 53, 58;
179/100 R, 100 D, 103, 100 C, 146, 179, 178

FIG. 1 is a top, front perspective view of a large telephone keyset with display showing our new design; FIG. 2 is a rear perspective view thereof; FIG. 3 is a fragmentary perspective view of the telephone keyset; FIG. 4 is an enlarged, fragmentary top plan view thereof; FIG. 5 is an enlarged side elevation of the telephone handset, shown separately for clarity of illustration; FIG. 6 is a bottom plan view thereof; FIG. 7 is a top plan view thereof; and FIG. 8 is an end elevation thereof.

[56] References Cited

U.S. PATENT DOCUMENTS

D. 232,365 8/1974 Churchill et al. D14/58
D. 246,650 12/1977 Peral-Hernandez D14/58 X
D. 251,844 5/1979 Krämer D14/53 X
D. 256,919 9/1980 White D14/58
D. 257,772 1/1981 Fukutani D14/53



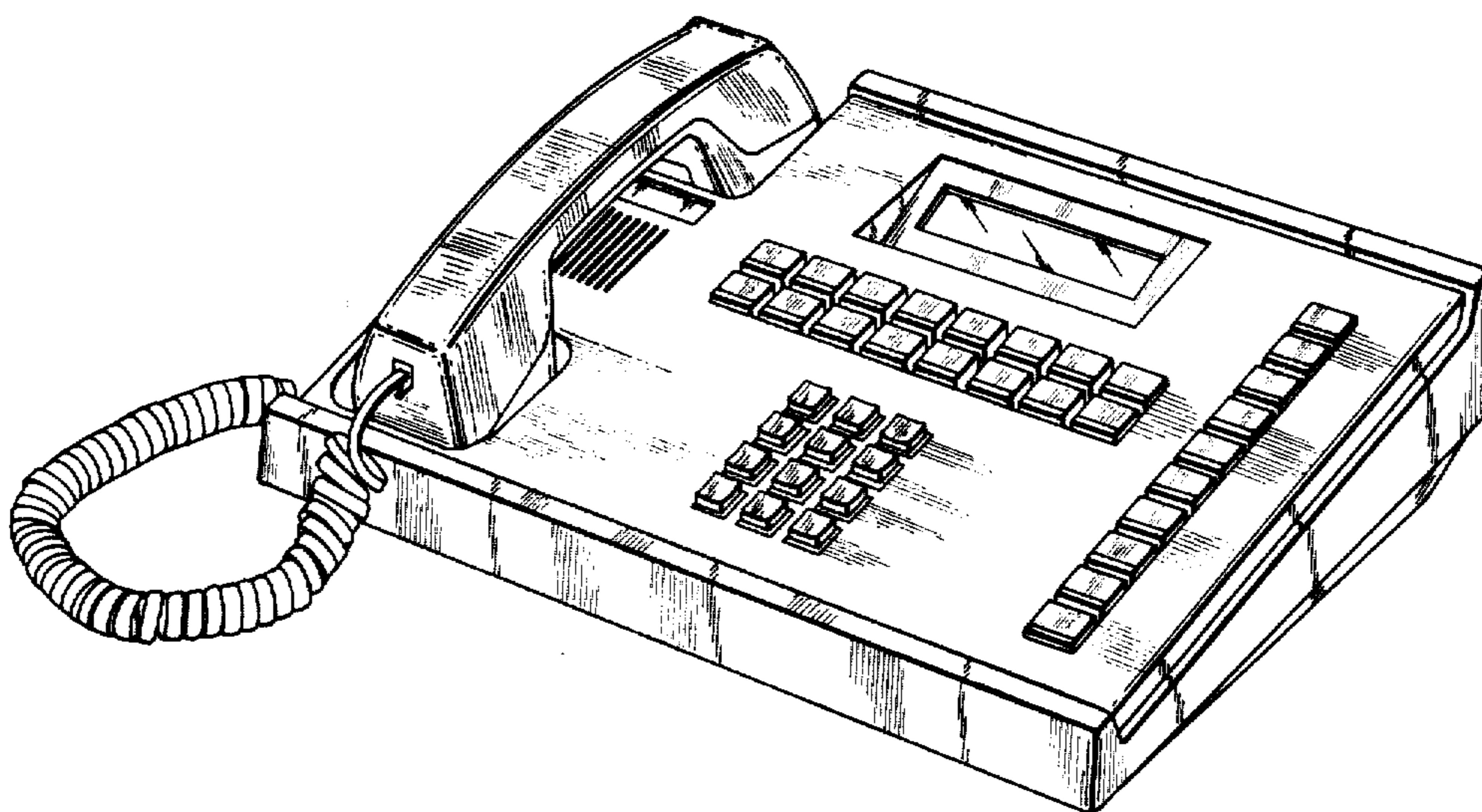


FIG. 1

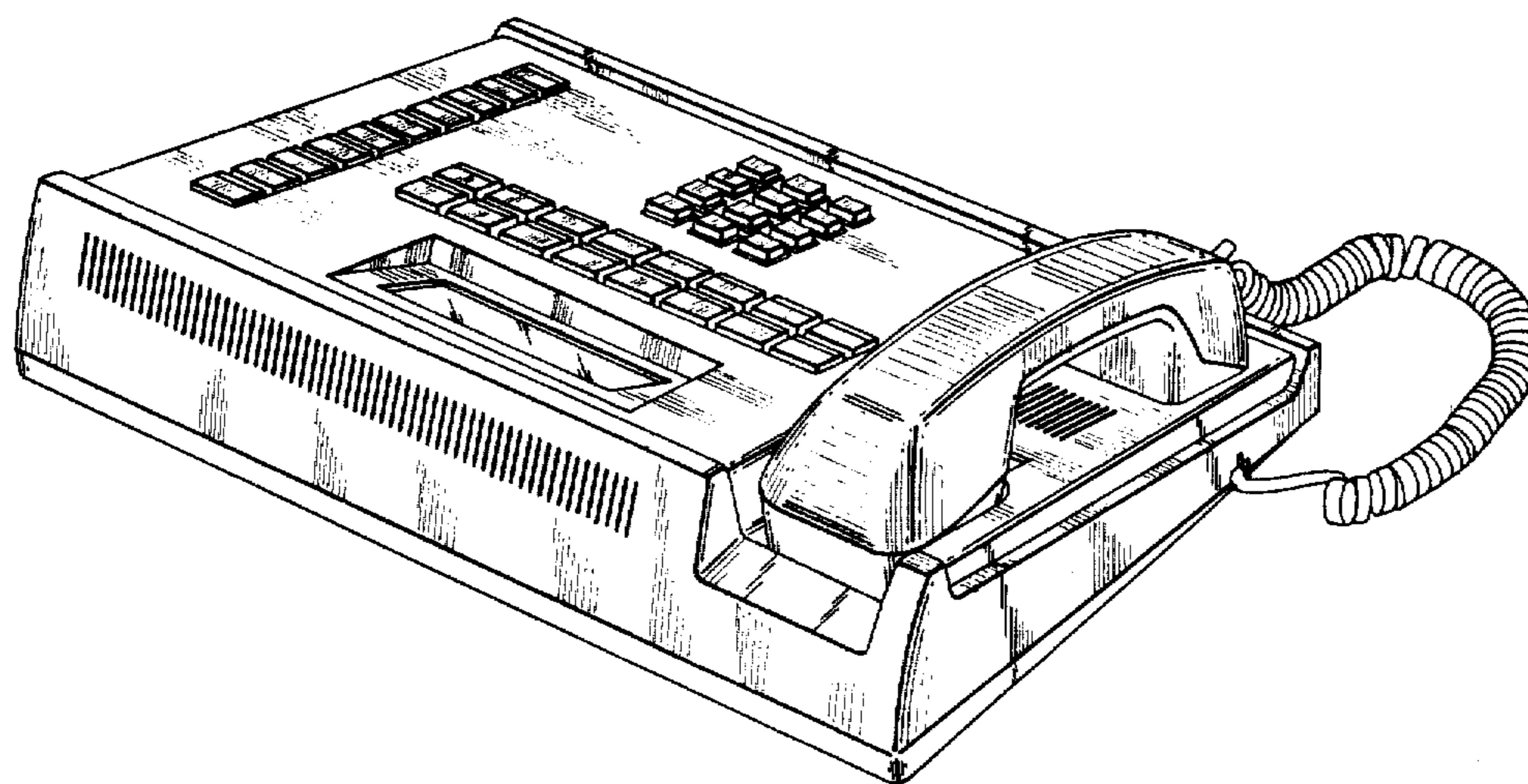


FIG. 2

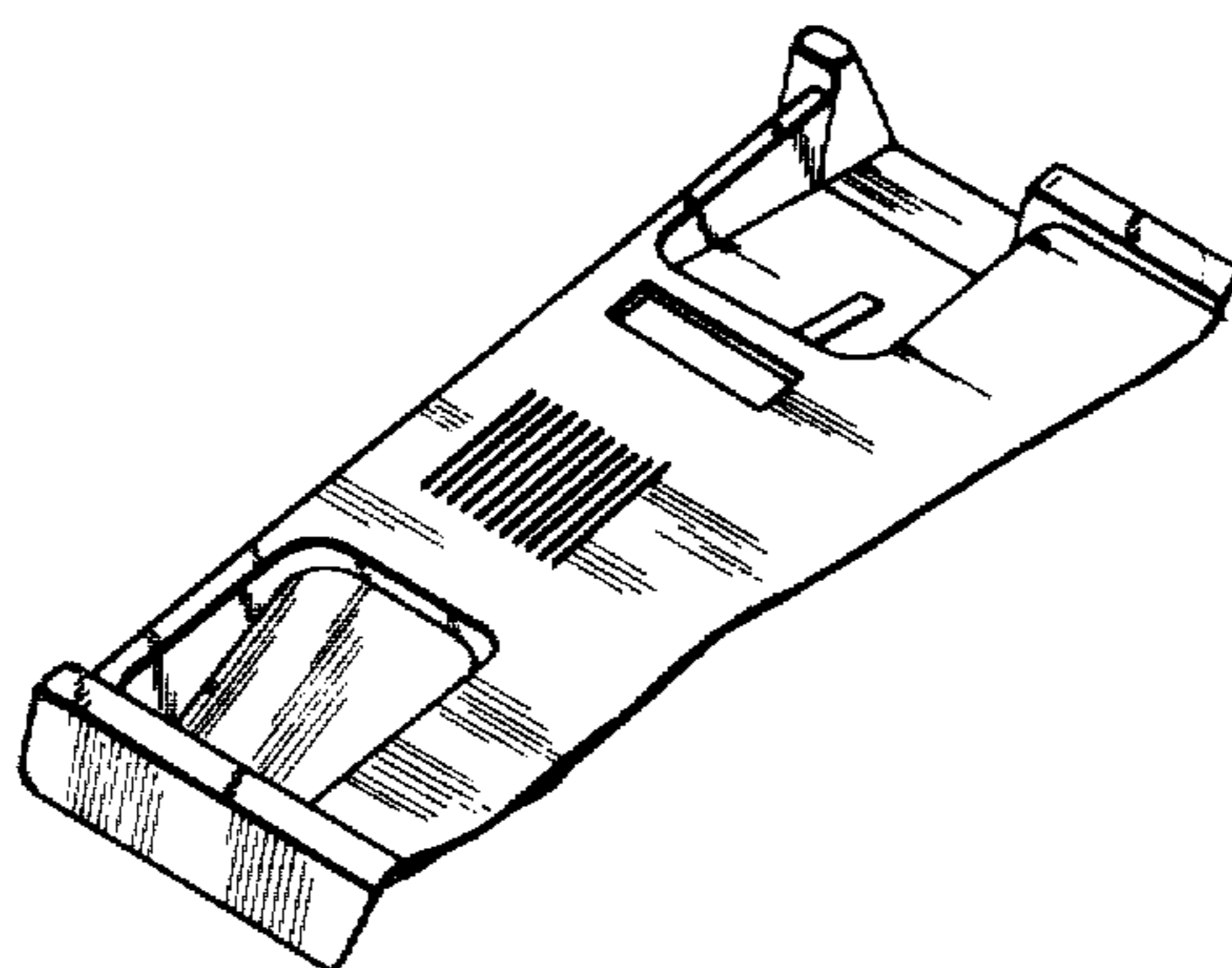


FIG. 3

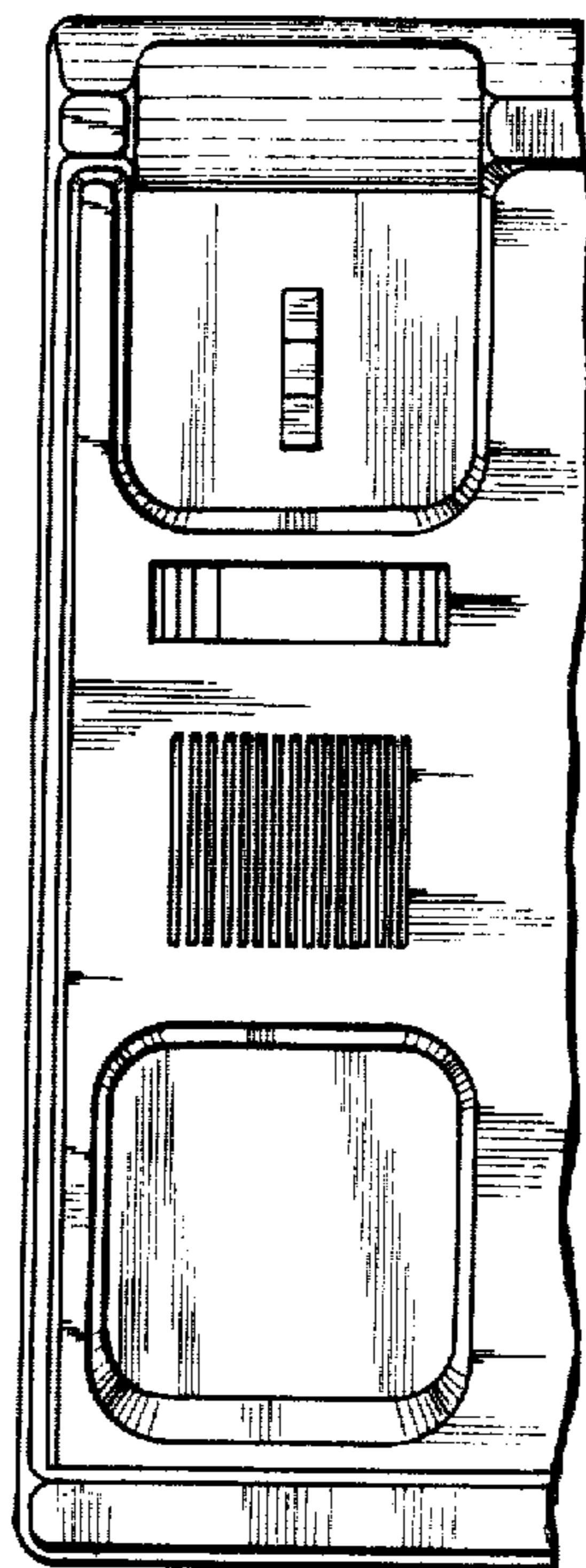


FIG. 4

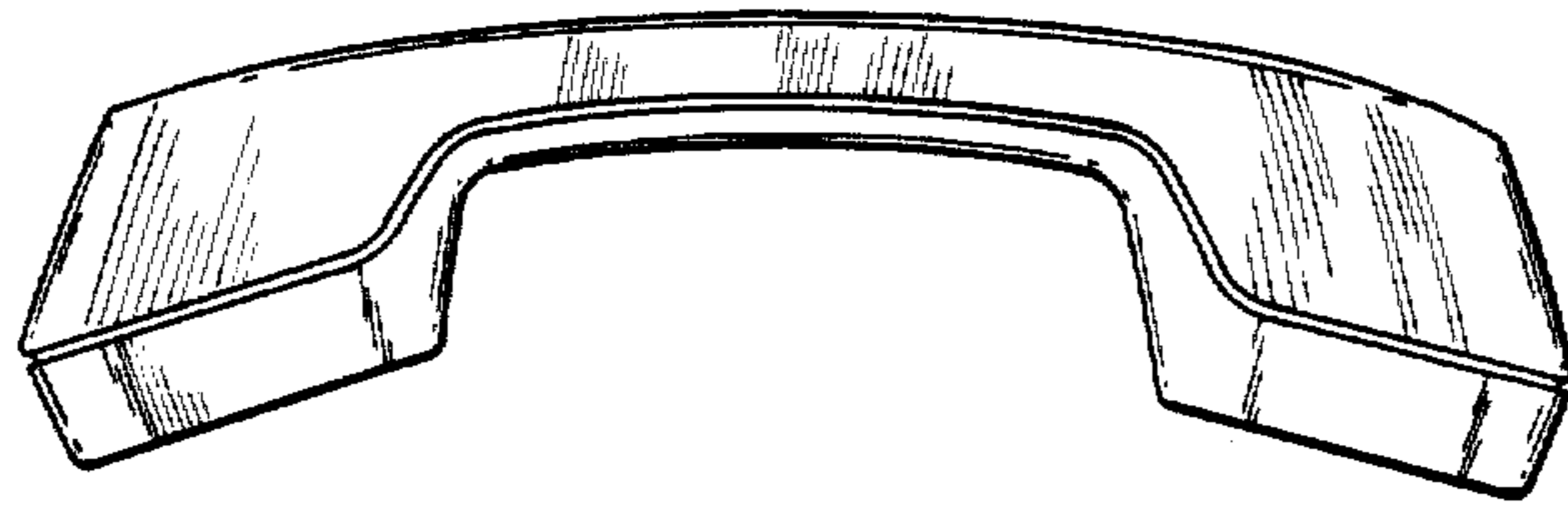


FIG. 5

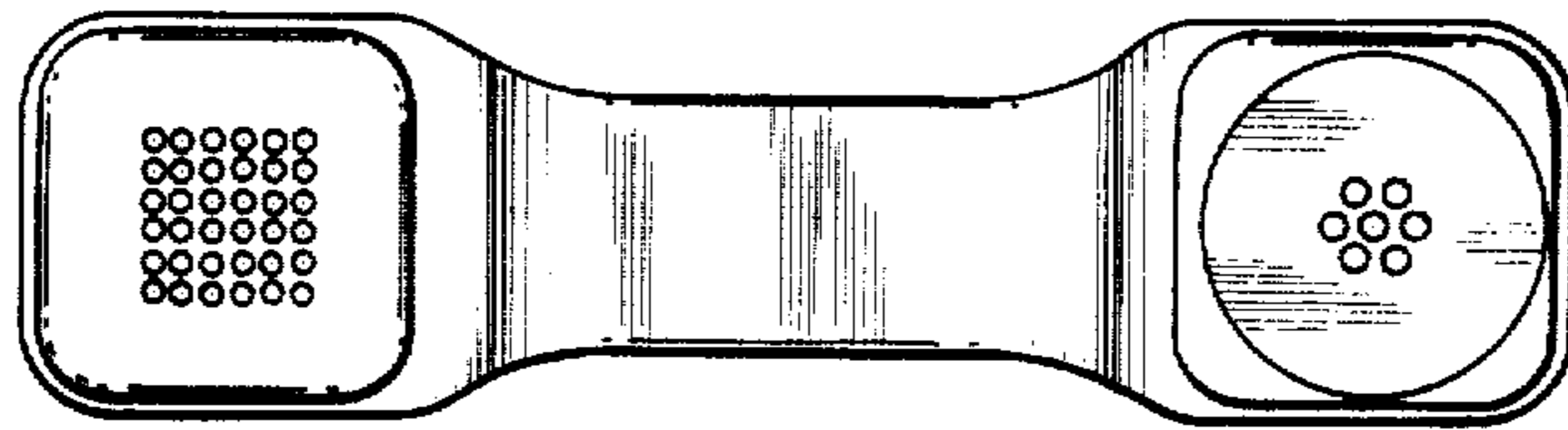


FIG. 6

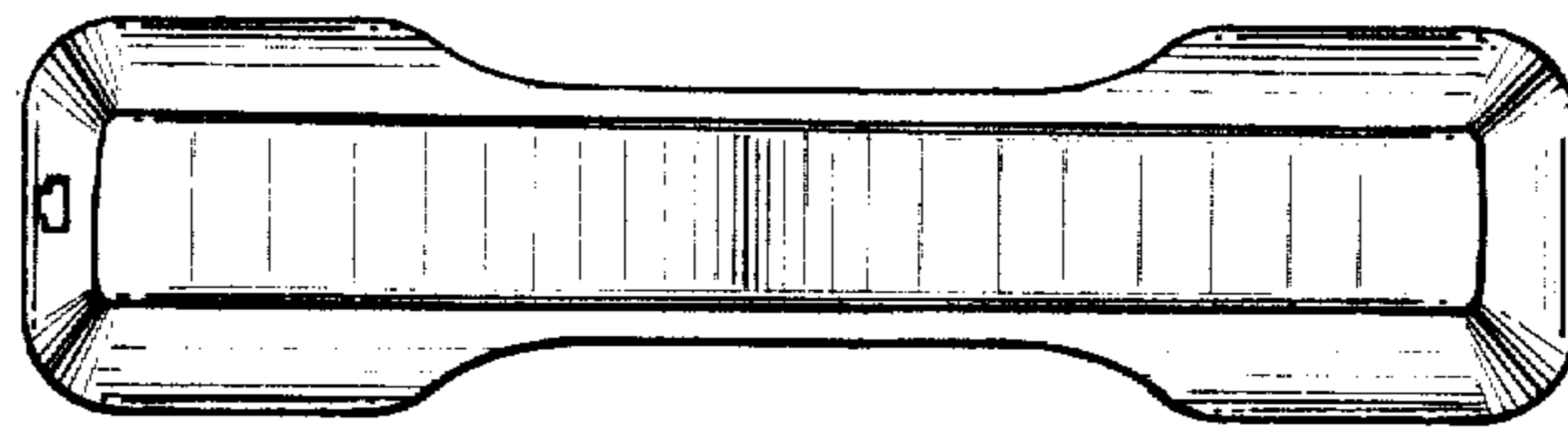


FIG. 7

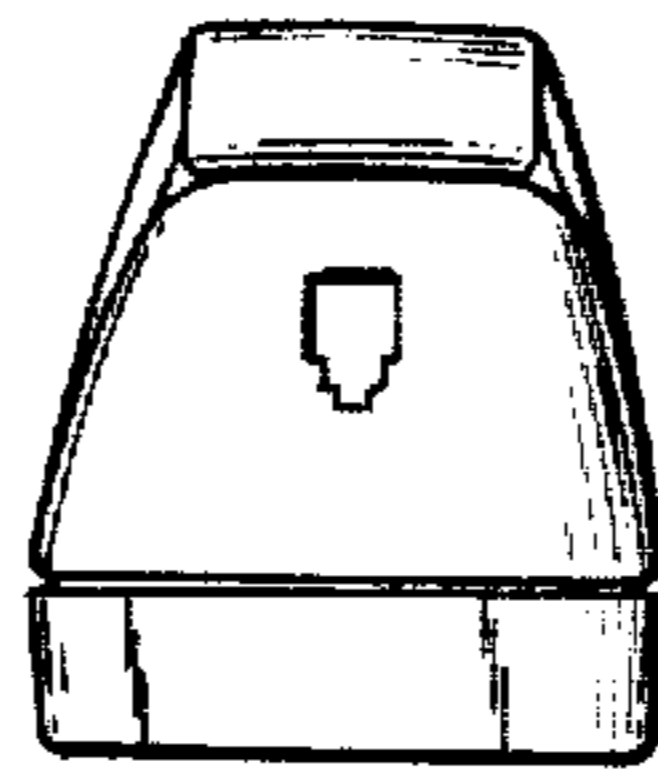


FIG. 8