

[54] **VIDEO GAME CONTROL UNIT**

DESCRIPTION

[75] Inventor: Syng N. Kim, Hoffman Estates, Ill.

[73] Assignee: Wico Corporation, Niles, Ill.

[**] Term: 14 Years

[21] Appl. No.: 394,262

[22] Filed: Jul. 1, 1982

[51] Int. Cl. D13—03

[52] U.S. Cl. D13/38; D13/12;
 D21/13

[58] Field of Search D13/12, 11, 38, 37,
 D13/32; D21/13, 48; 273/1 E, 85 G, DIG. 28;
 200/5 A; 178/18-20; 340/709-711, 286 M;
 74/553, 551.9, 551.8

[56] **References Cited**

U.S. PATENT DOCUMENTS

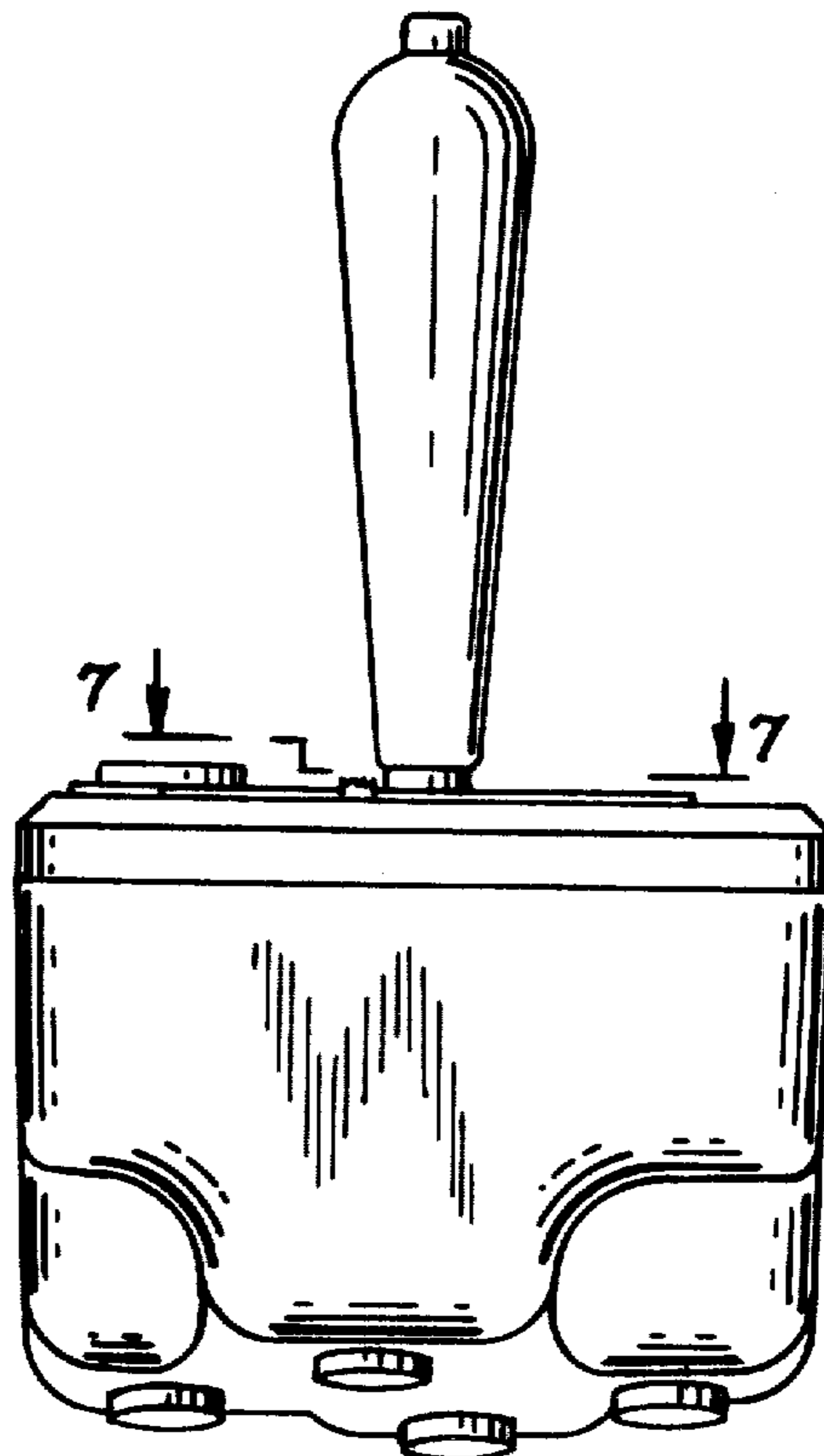
- D. 254,544 3/1980 McKinsey et al. D21/13
- 4,297,542 10/1981 Shumway 200/5 A
- 4,355,544 10/1982 Post 74/553

Primary Examiner—Melvin B. Feifer
Attorney, Agent, or Firm—Dithmar, Stotland, Stratman & Levy

[57] **CLAIM**

The ornamental design for a video game control unit, as shown and described.

FIG. 1 is a front elevational view of a video game control unit showing my new design;
 FIG. 2 is a rear elevational view of the video game control unit;
 FIG. 3 is a top plan view of the video game control unit;
 FIG. 4 is a bottom plan view of the video game control unit;
 FIG. 5 is an elevational view of one side of the video game control unit;
 FIG. 6 is an elevational view of the other side of the video game control unit;
 FIG. 7 is a sectional view of the video game control unit taken along the line 7—7 of FIG. 1 on an enlarged scale;
 FIG. 8 is a sectional view of the video game control unit taken along the line 8—8 of FIG. 3;
 FIG. 9 is a front elevational view of a video game control unit incorporating the features of a second embodiment of my design;
 FIG. 10 is a rear elevational view of the second embodiment;
 FIG. 11 is a top plan view of the second embodiment;
 FIG. 12 is a bottom plan view of the second embodiment;
 FIG. 13 is an elevational view of one side of the second embodiment;
 FIG. 14 is an elevational view of the other side of the second embodiment;
 FIG. 15 is a sectional view of the second embodiment taken along the line 15—15 of FIG. 9 on an enlarged scale; and
 FIG. 16 is a sectional view of the second embodiment taken along the line 16—16 of FIG. 11.
 The standard power cord is shown fragmentarily for convenience of illustration.



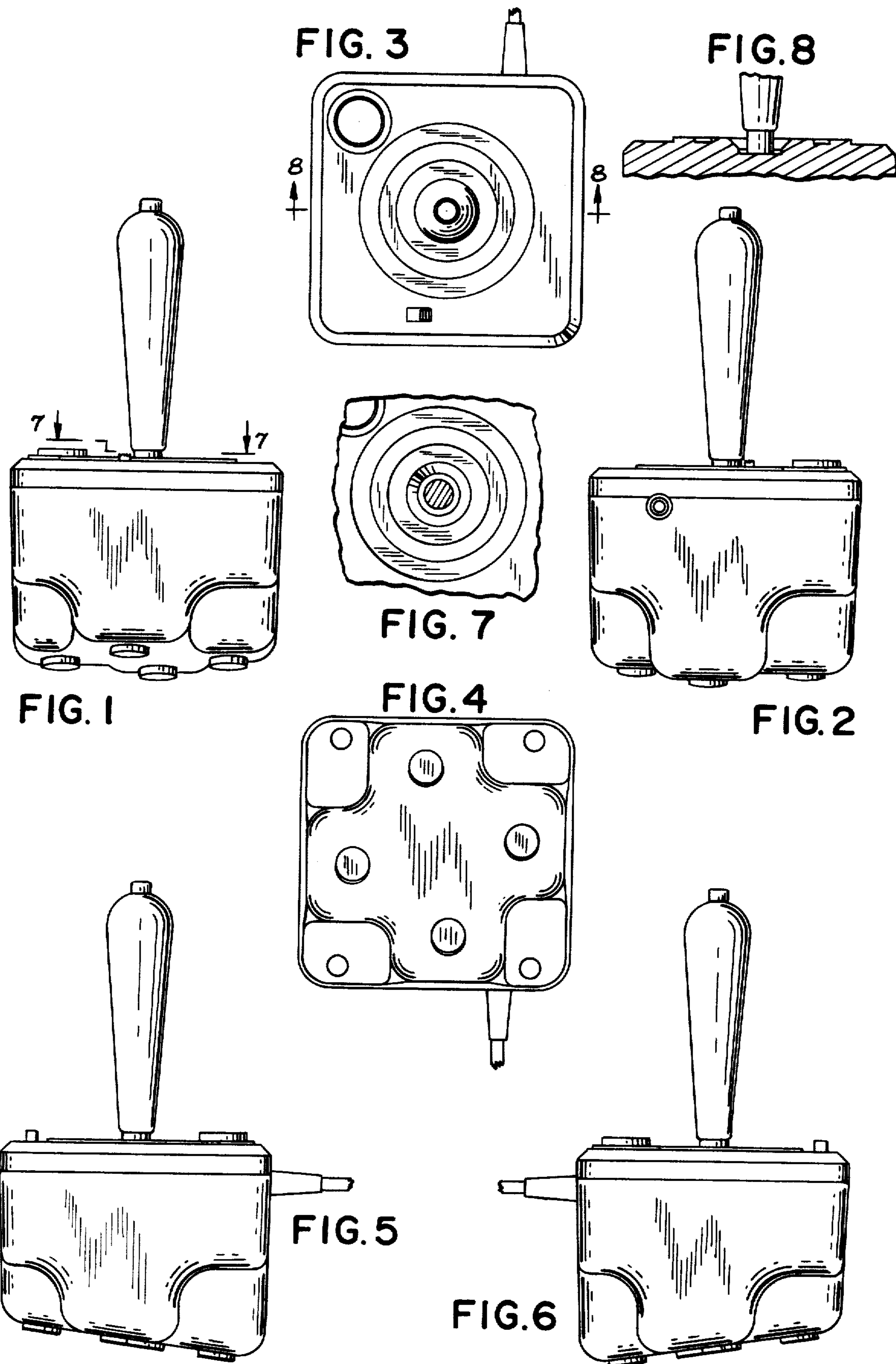


FIG. 11

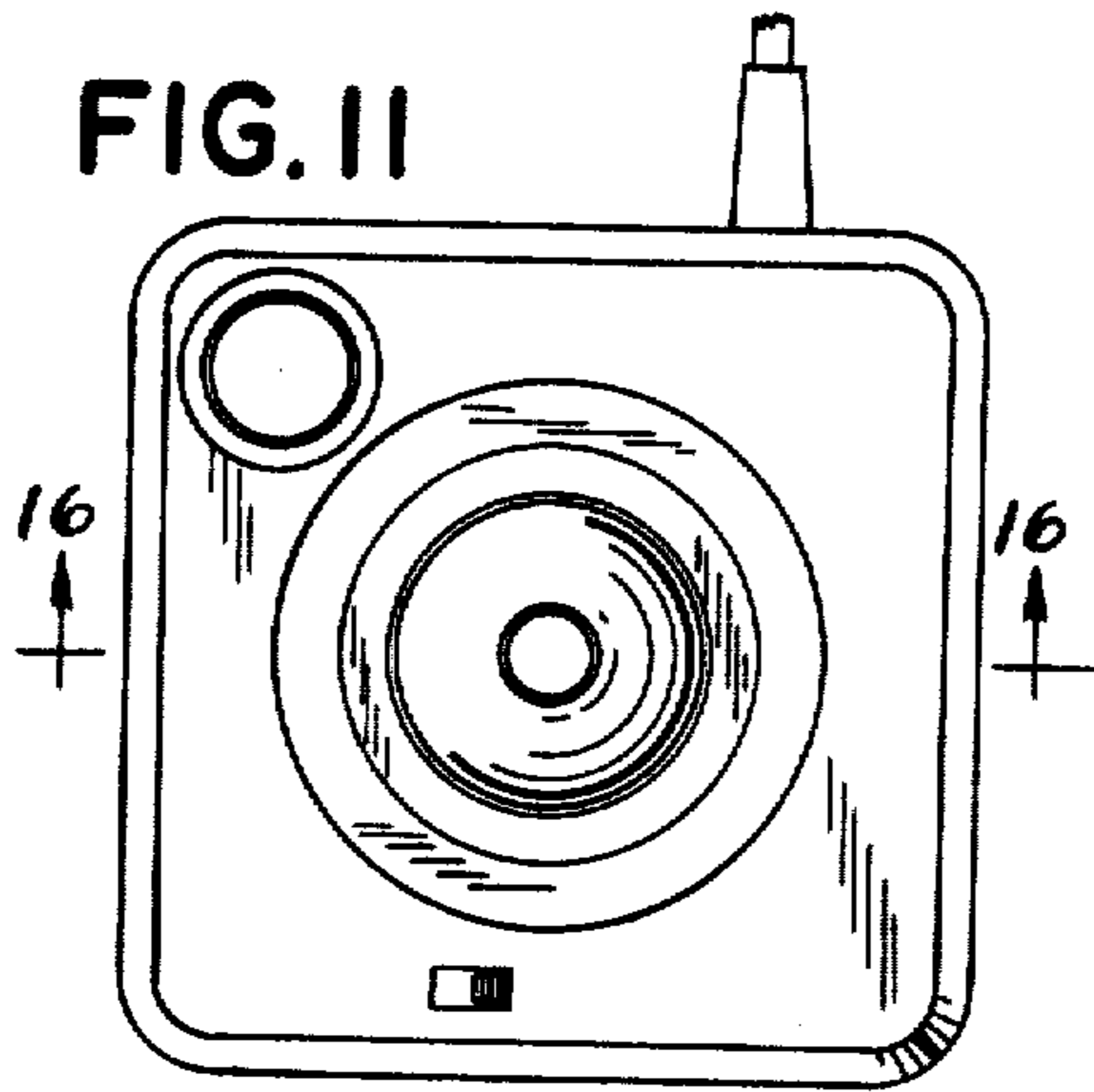


FIG. 16

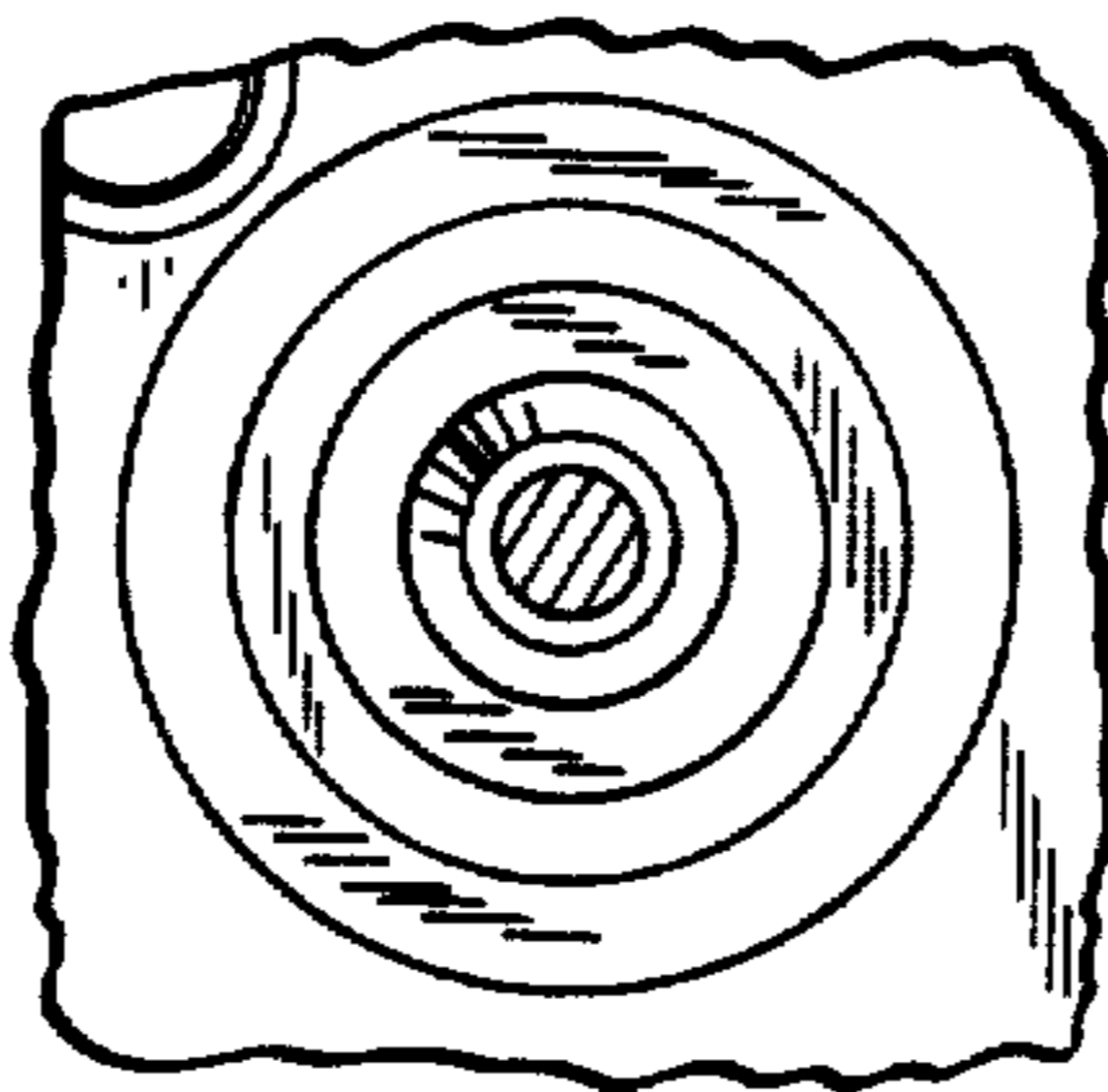
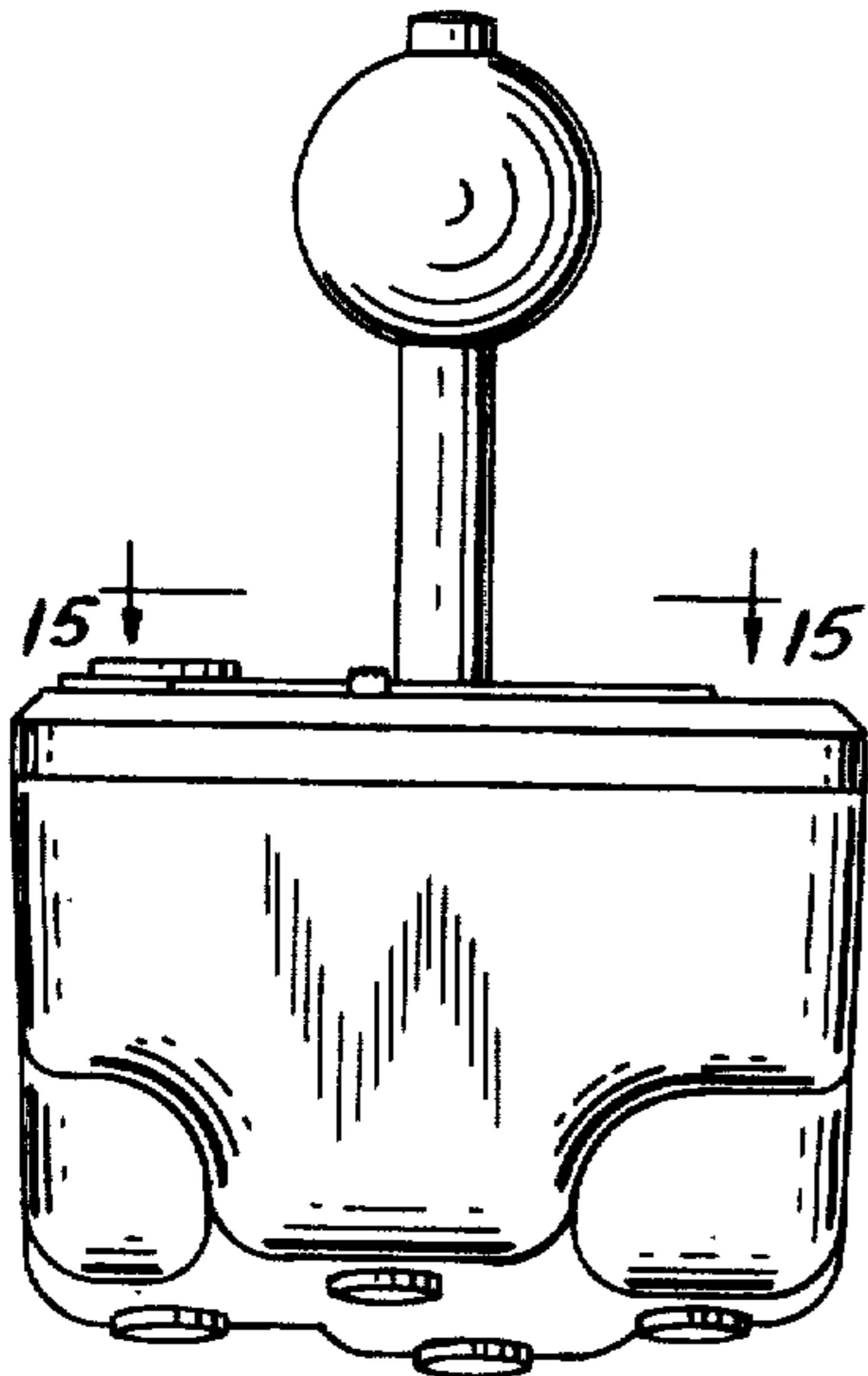
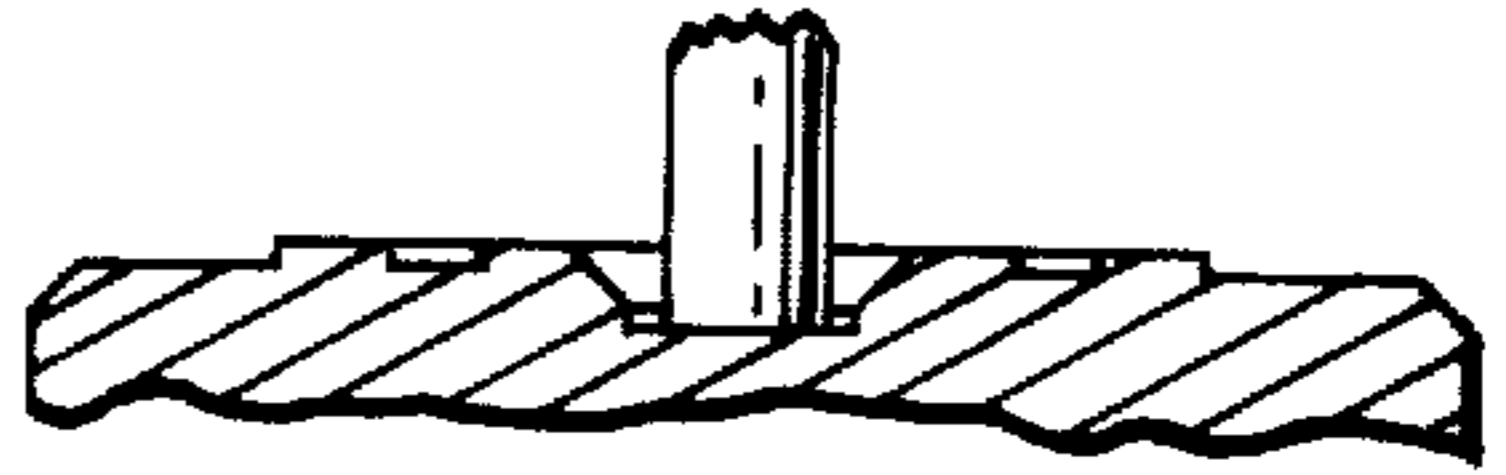


FIG. 15

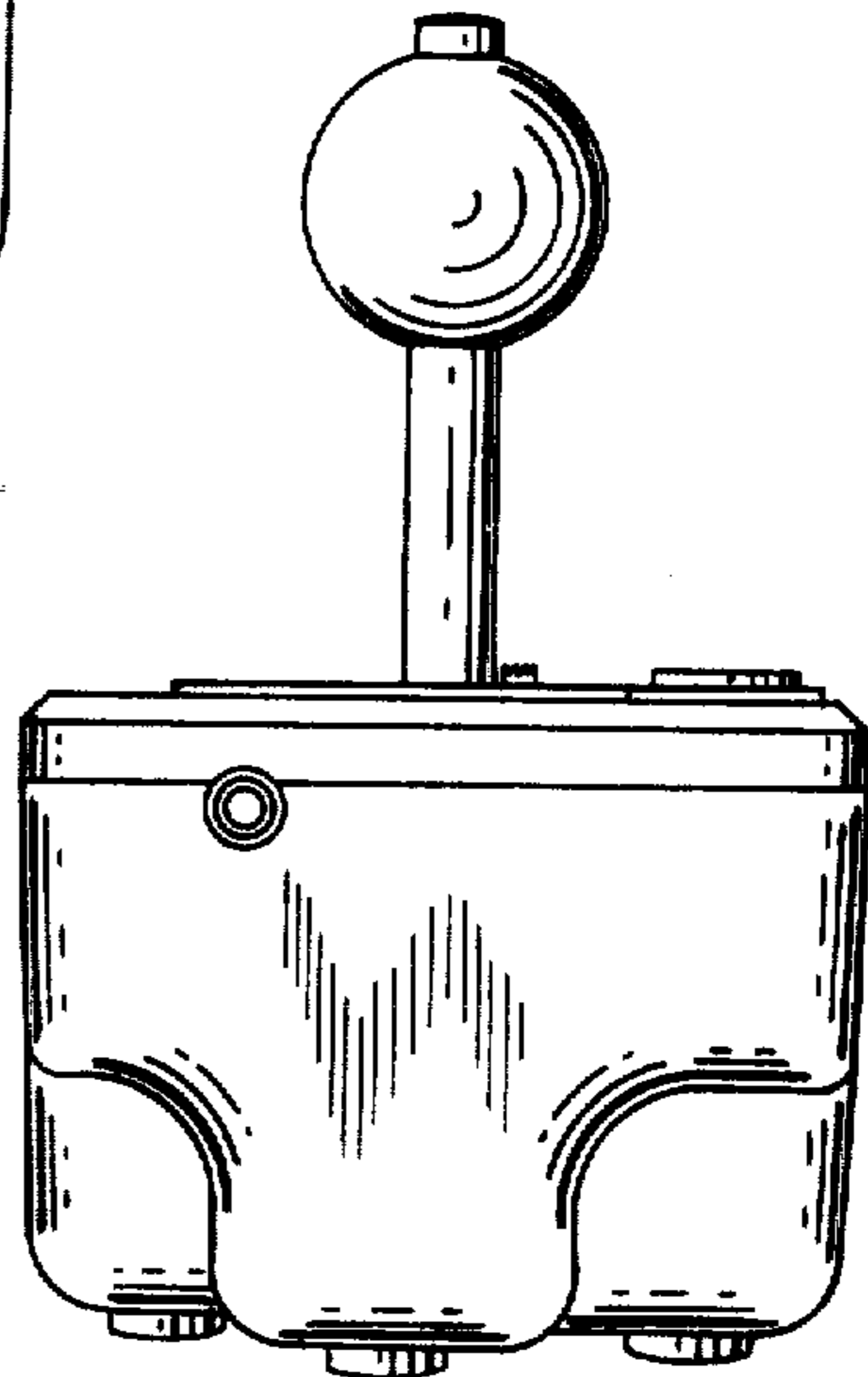


FIG. 10

FIG. 9

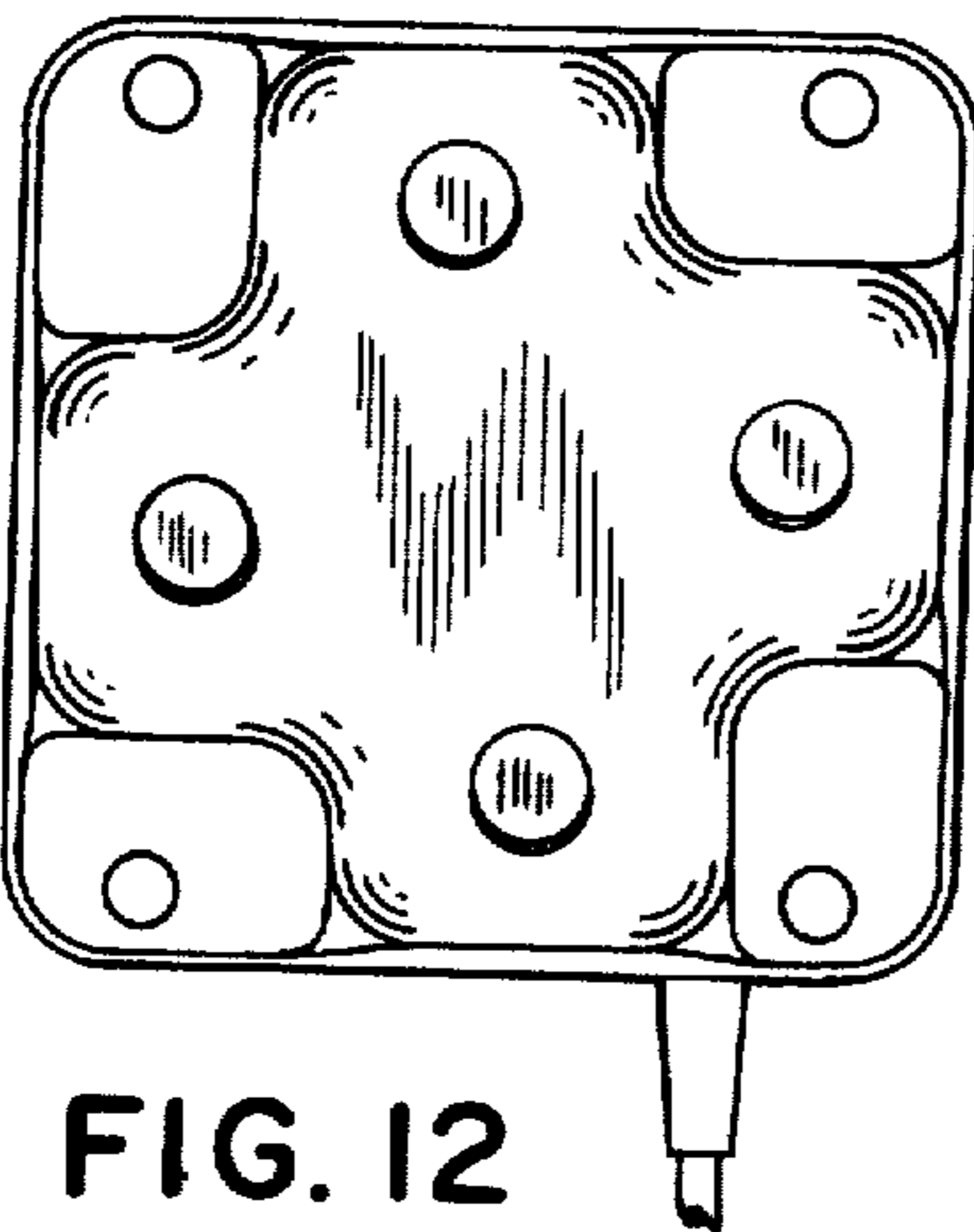


FIG. 12

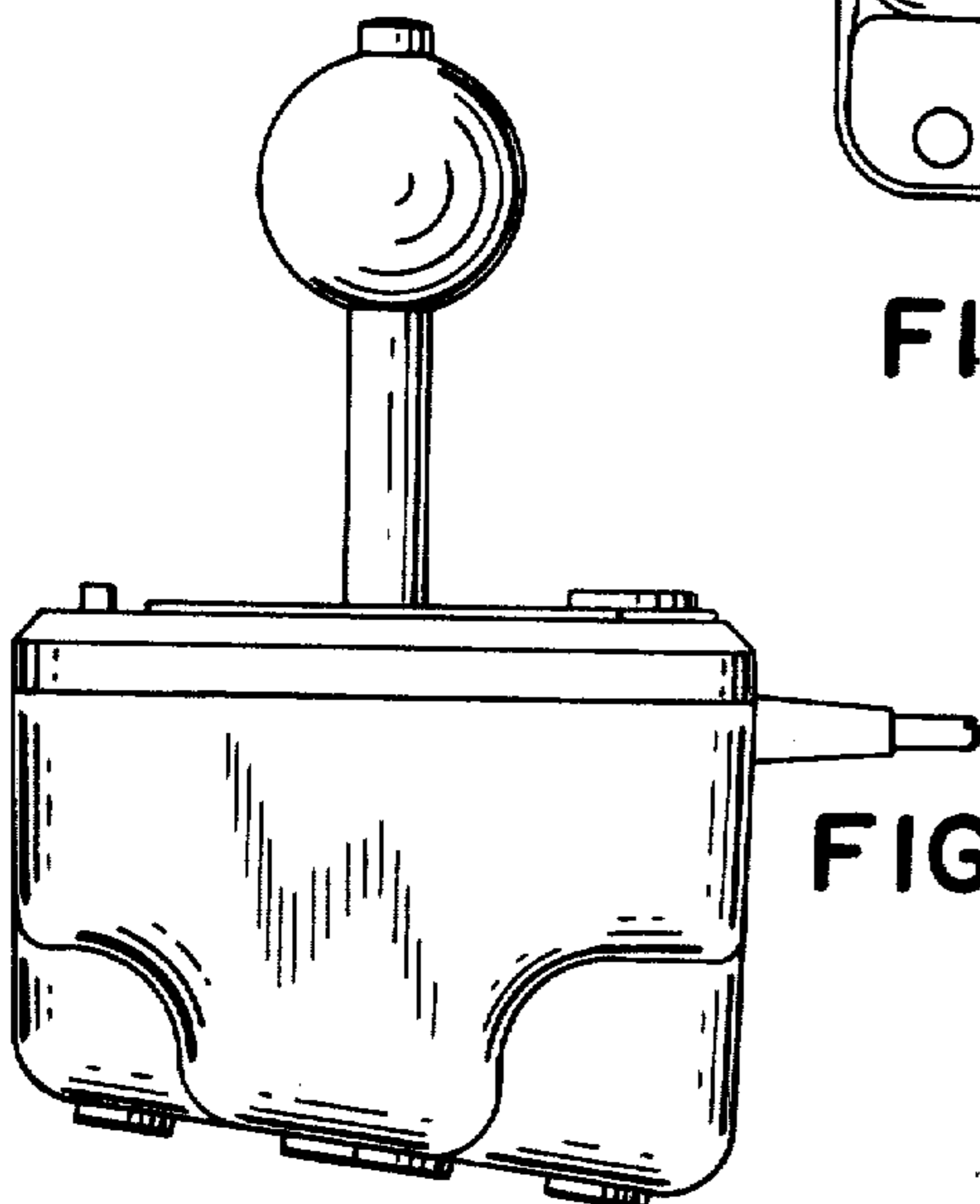


FIG. 13

FIG. 14

