

[54] SLURRY DISPENSER CONTROL CONSOLE

[56]

References Cited

[75] Inventors: William A. Strong; Kenneth Church, both of Pine Bluff, Ak.

U.S. PATENT DOCUMENTS

[73] Assignee: Strong Manufacturing Co., Inc., Pine Bluff, Ark.

D. 258,651	3/1981	Unger	.....	D13/12
D. 266,240	9/1982	Graver	.....	D13/12
2,955,753	10/1960	Conor et al.	.....	137/92 X
3,250,287	5/1966	Hartley	.....	137/92 X
3,954,119	5/1976	Kunioka et al.	.....	137/92

[\*\*] Term: 14 Years

Primary Examiner—Bernard Ansher  
Attorney, Agent, or Firm—Stephen D. Carver

[21] Appl. No.: 165,857

[57] CLAIM

[22] Filed: Jul. 7, 1980

The ornamental design for slurry dispenser control console, as shown and described.

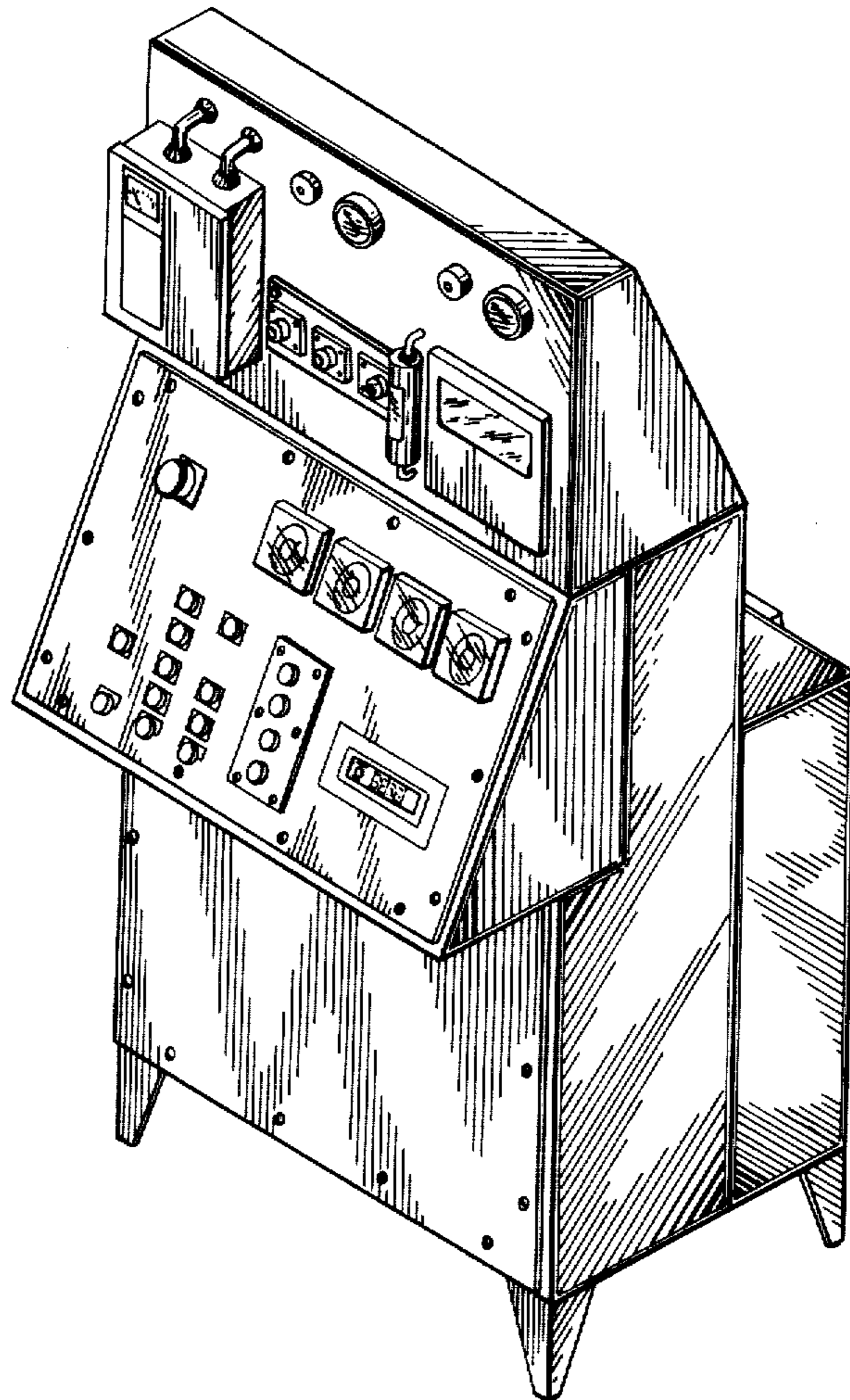
[51] Int. Cl. .... D13—03

DESCRIPTION

[52] U.S. Cl. .... D13/12; D15/19

[58] Field of Search ..... 134/83, 84; 366/2; 137/92, 259, 154; D15/19; D13/12, 40; 259/154

FIG. 1 is a top front isometric view of a slurry dispenser control console showing my new design; FIG. 2 is a side elevation taken at a reduced scale; and FIG. 3 is a rear elevation thereof.



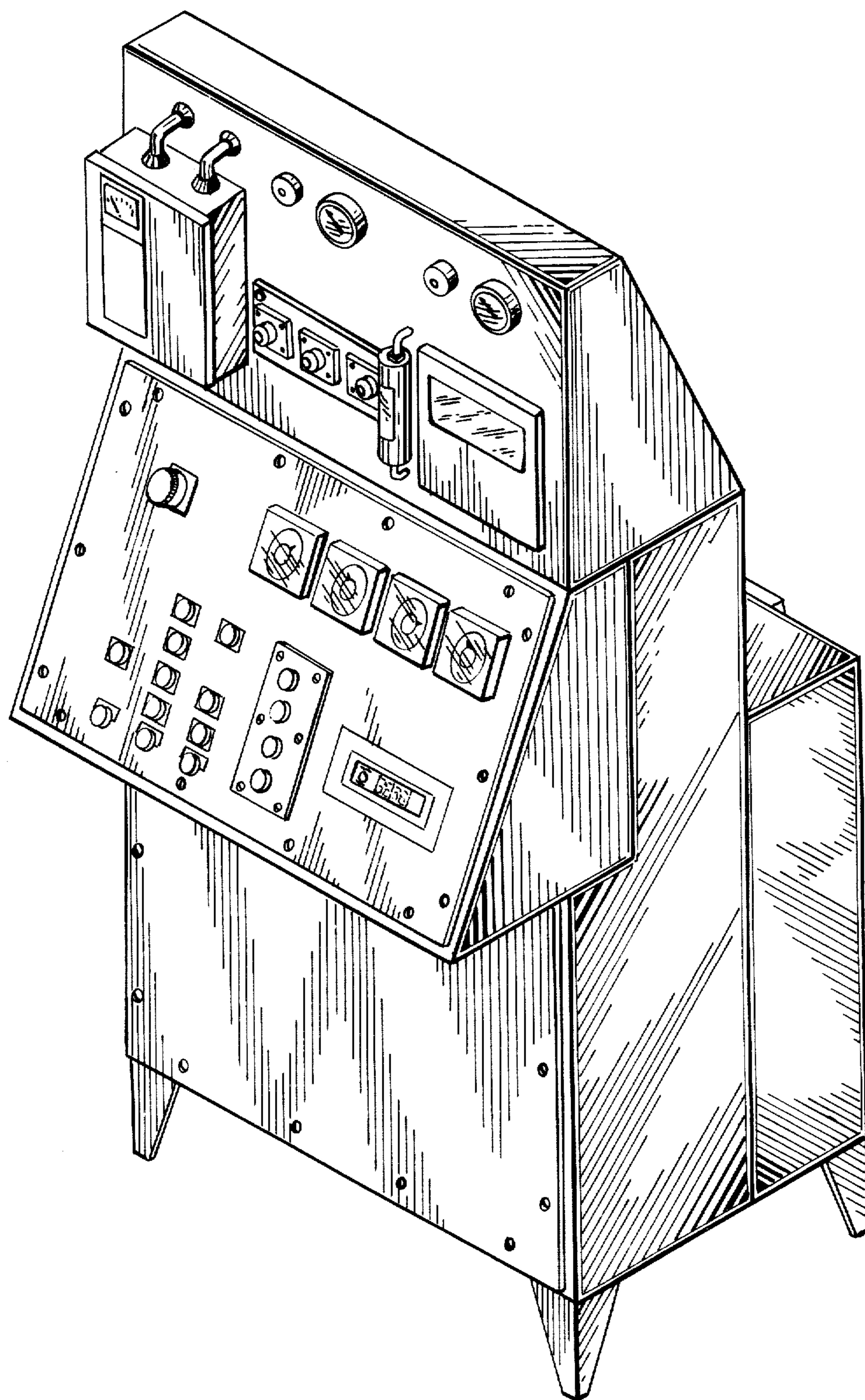


FIG. 1

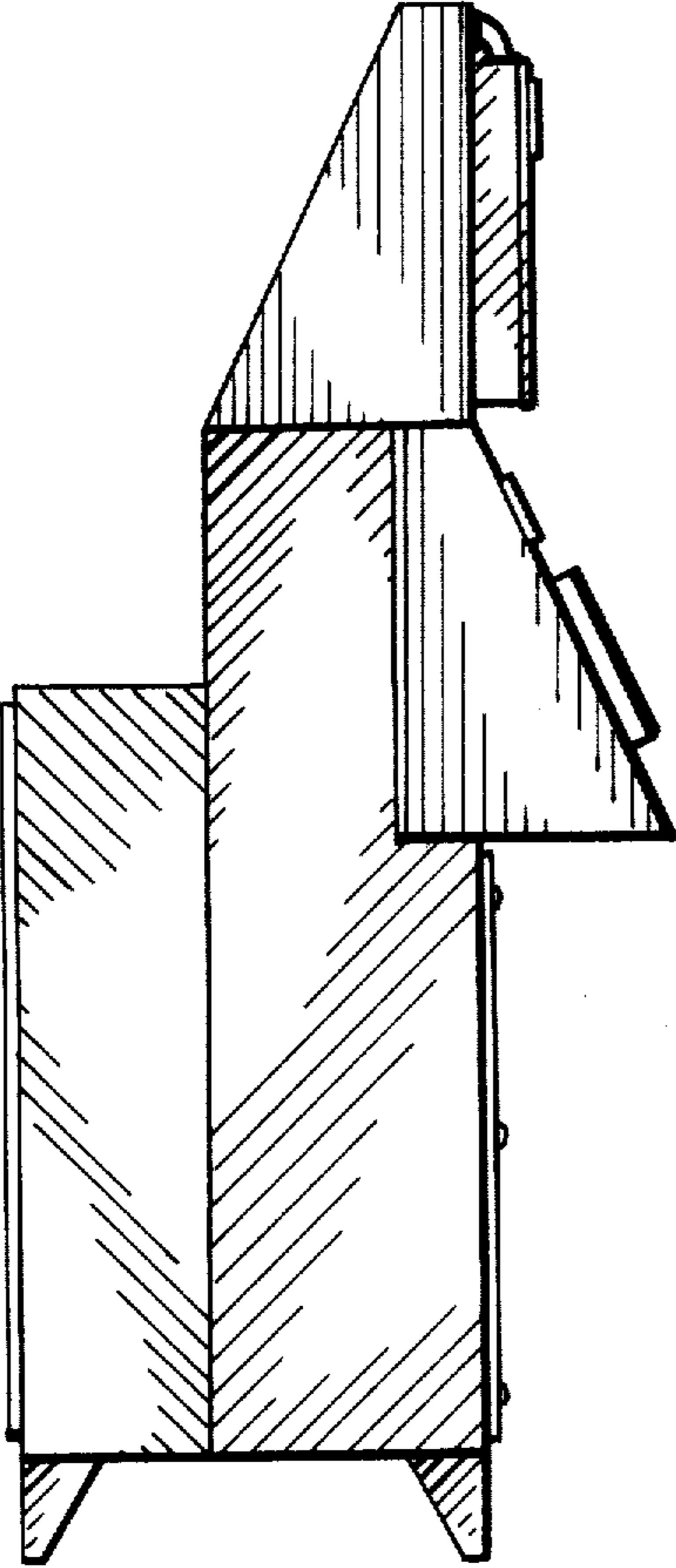


FIG. 2

FIG. 3

