

[54] **WHEEL COVER**

[75] **Inventor:** Herbert F. Whitmarsh, High Barnet, England

[73] **Assignee:** Initial Plastics Limited, High Barnet, England

[**] **Term:** 14 Years

[21] **Appl. No.:** 267,052

[22] **Filed:** May 26, 1981

[30] **Foreign Application Priority Data**

Jan. 8, 1981 [GB] United Kingdom 998377

[51] **Int. Cl.** D12-16

[52] **U.S. Cl.** D12/205

[58] **Field of Search** D12/205; 301/9 S, 9 DP, 301/37 R, 37 SS, 64 R, 64 SD, 65, 66, 67, 73, 74, 79

[56] **References Cited**

U.S. PATENT DOCUMENTS

D. 170,231	8/1953	Plotkin	D12/205
D. 241,828	10/1976	Hall	D12/205
4,221,436	9/1980	Marshall, Jr.	301/37 SS
4,243,270	1/1981	Fenton et al.	301/37 SS

OTHER PUBLICATIONS

Tire Review, 2/80, p. 22. Tru-Ray Wheel, top center of page.

Primary Examiner—James M. Gandy
Attorney, Agent, or Firm—Murray and Whisenhunt

[57] **CLAIM**

The ornamental design for a wheel cover, as shown.

DESCRIPTION

FIG. 1 is a front perspective view of a wheel cover showing my new design;
FIG. 2 is a front elevational view thereof;
FIG. 3 is a rear elevational view thereof; and
FIG. 4 is a side elevational view thereof.

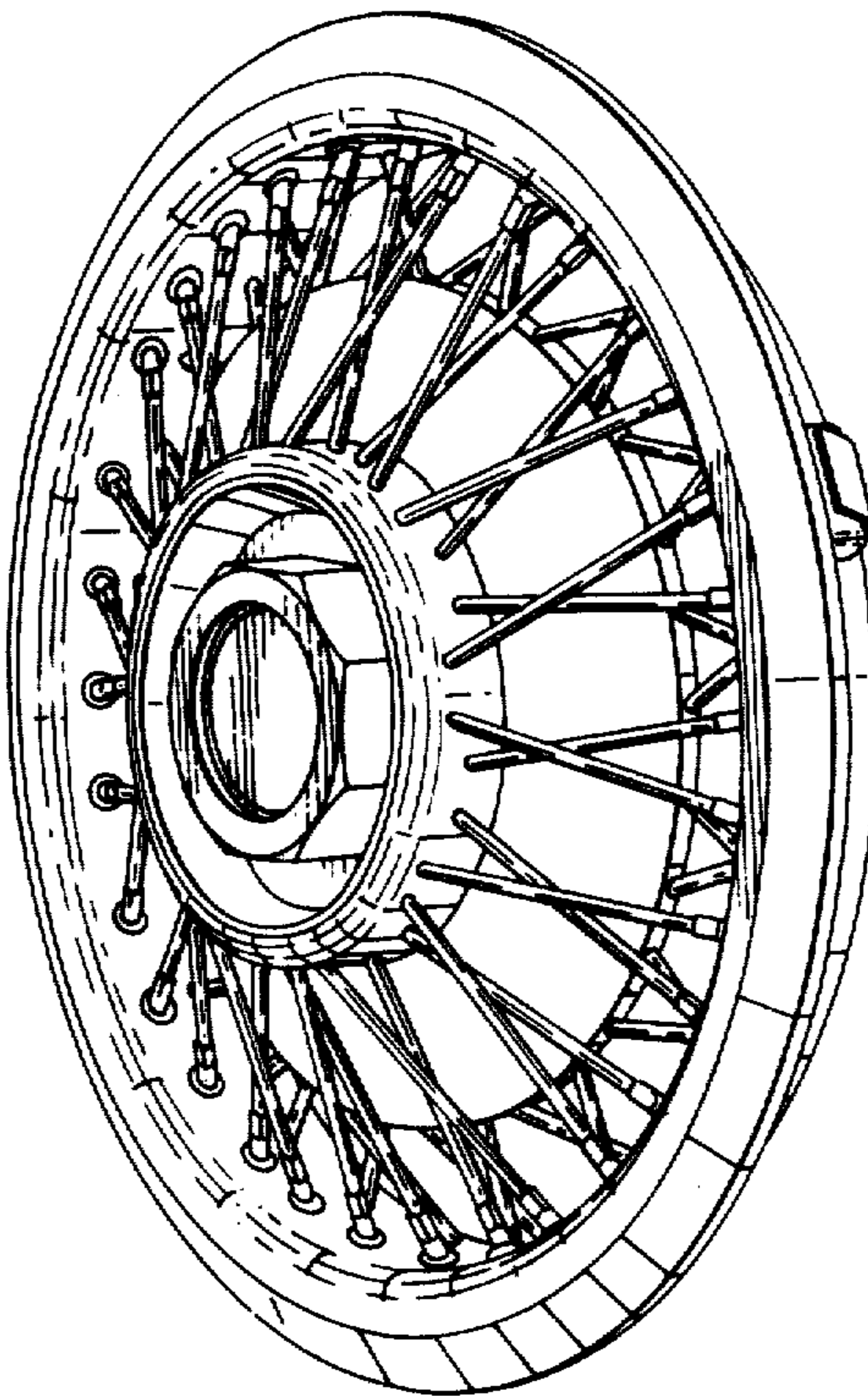


Fig. 1.

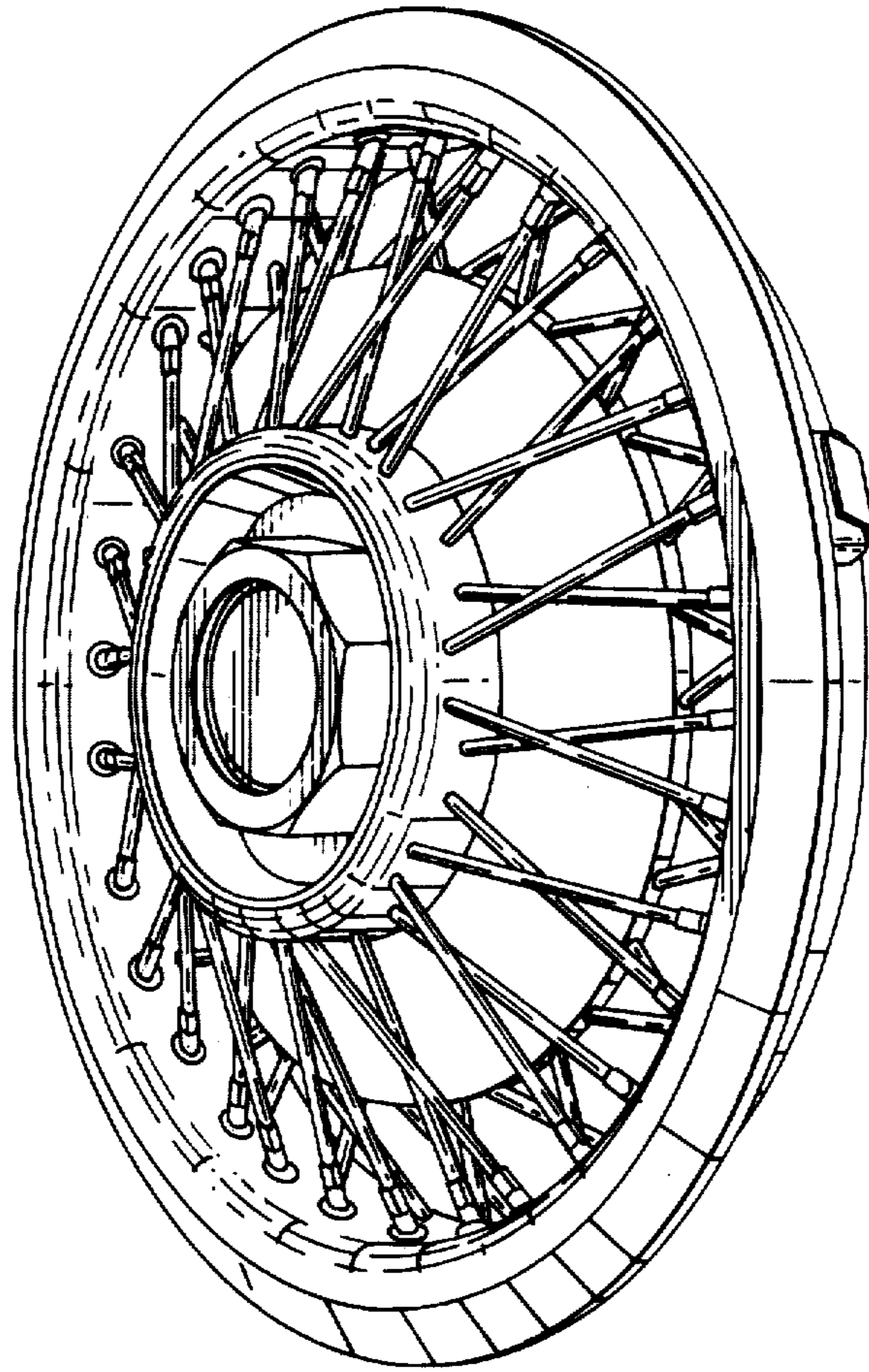


Fig. 2.

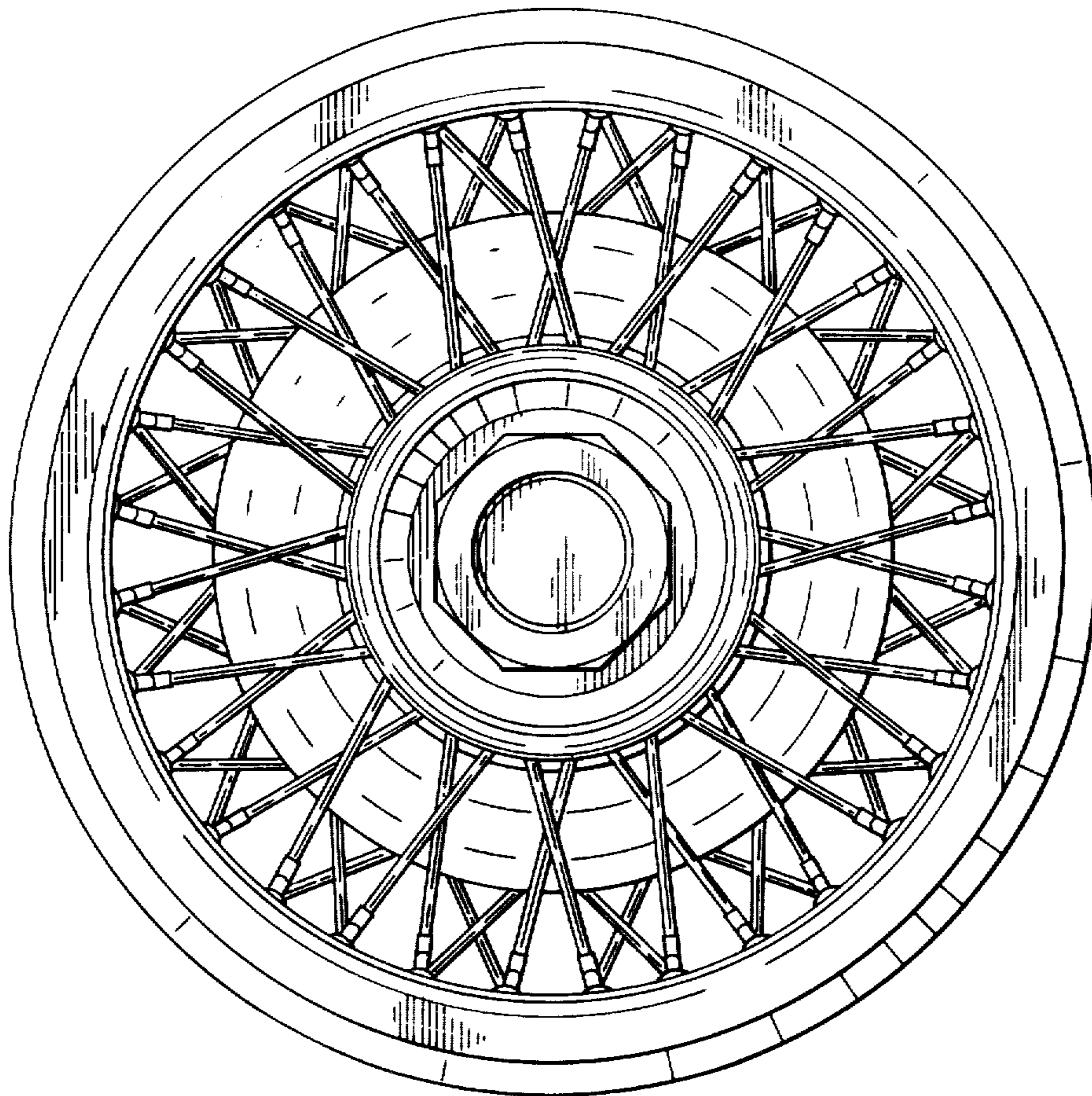


Fig. 3.

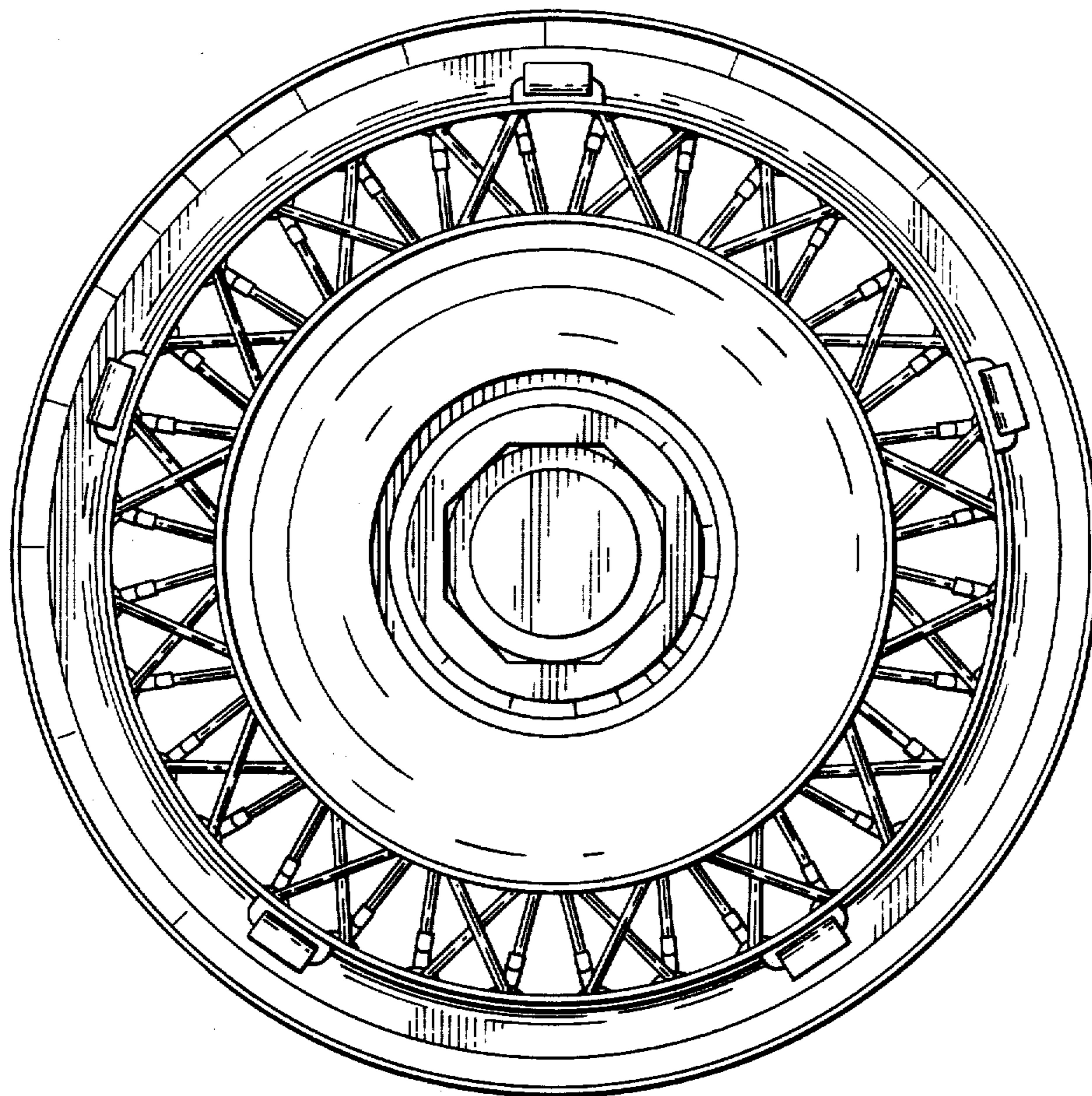


Fig. 4.

