

[54] **ROUND HOUSEHOLD SCALE**

[75] **Inventor:** Dana W. Mox, Elk Grove Village, Ill.

[73] **Assignee:** Tricolor Corporation, Las Cruces, N. Mex.

[**] **Term:** 14 Years

[21] **Appl. No.:** 173,683

[22] **Filed:** Jul. 28, 1980

[51] **Int. Cl.** D10-04

[52] **U.S. Cl.** D10/91

[58] **Field of Search** D10/89, 91; 177/229, 177/243, 262

D. 256,103 7/1980 Mox D10/91
 3,228,488 1/1966 Coppola D10/91 X

OTHER PUBLICATIONS

Hardware Age-12/10/64-back-cover-Scale at center.
Form-4/78-p. 94-Scales across top.

Primary Examiner-Nelson C. Holtje
Attorney, Agent, or Firm-Wood, Dalton, Phillips, Mason & Rowe

CLAIM

The ornamental design for round household scale, as shown and described.

DESCRIPTION

FIG. 1 is a top and right front perspective view of the round household scale showing my new design;
 FIG. 2 is a bottom and left rear perspective view thereof;
 FIG. 3 is a front elevational view thereof;
 FIG. 4 is a left side elevational view thereof.

[56] **References Cited**
U.S. PATENT DOCUMENTS

D. 231,016 3/1974 Zanuso D10/91
 D. 245,968 10/1977 Mox D10/91
 D. 245,969 10/1977 Mox D10/91

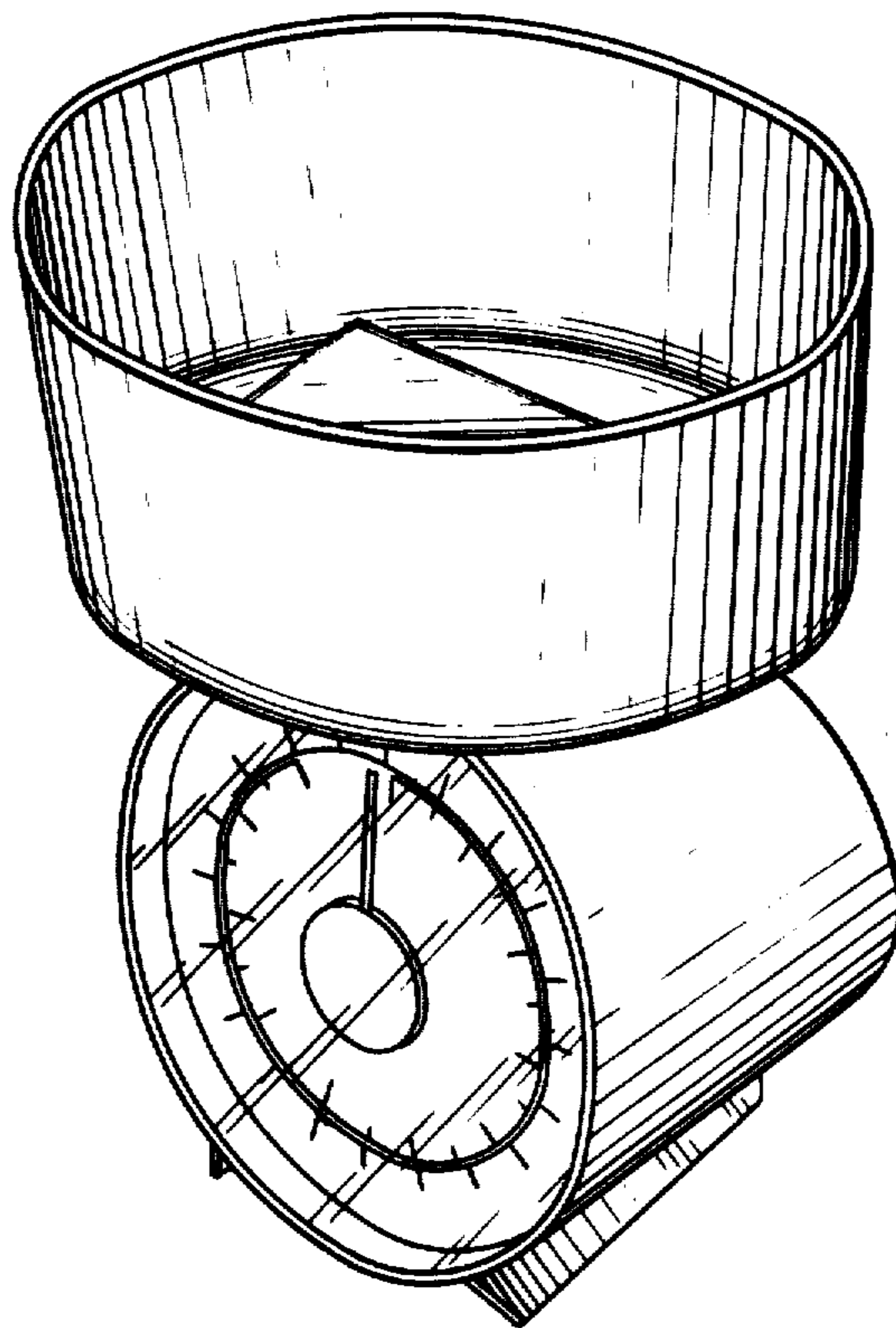


Fig. 1.

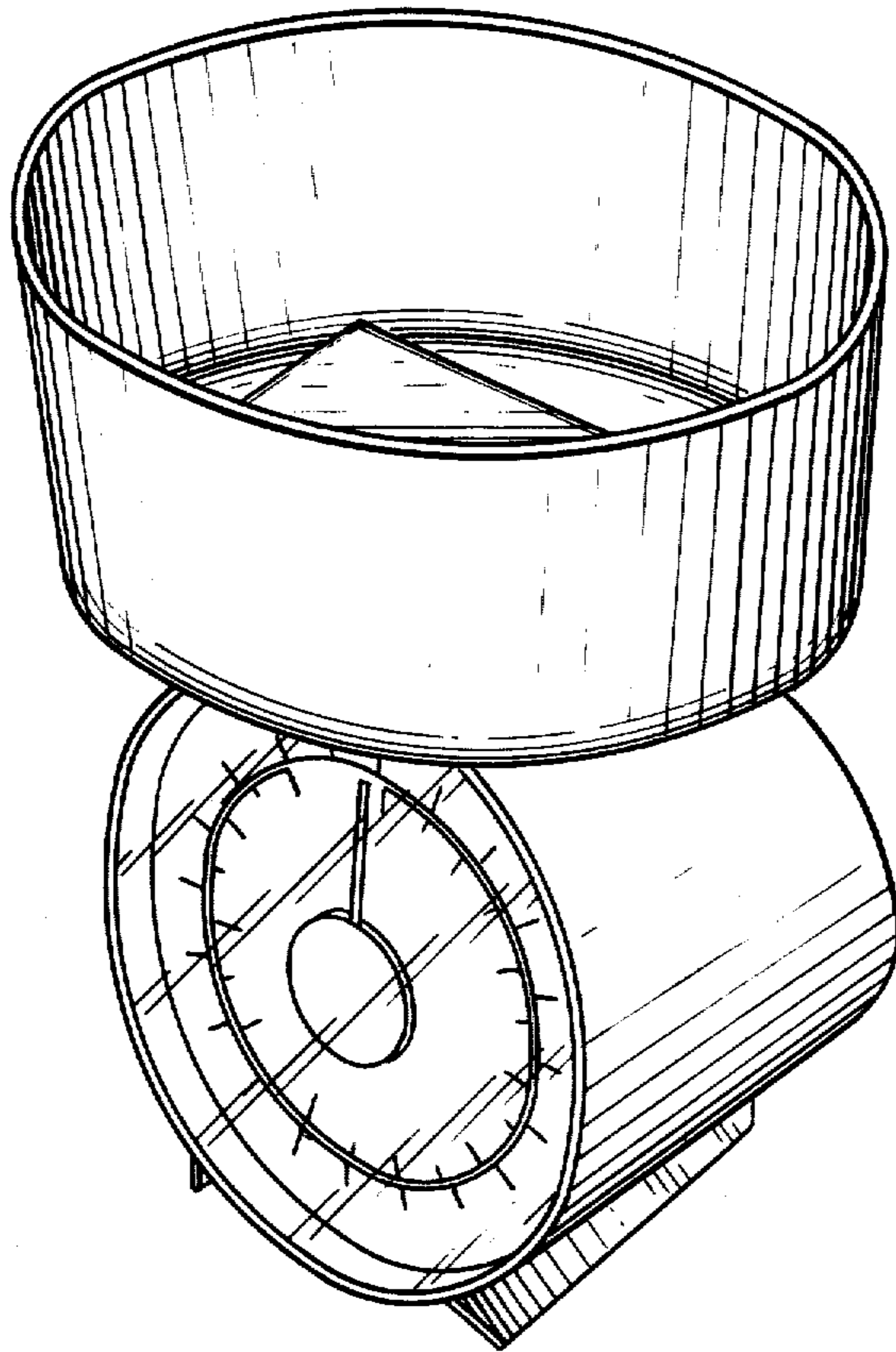


Fig. 2.

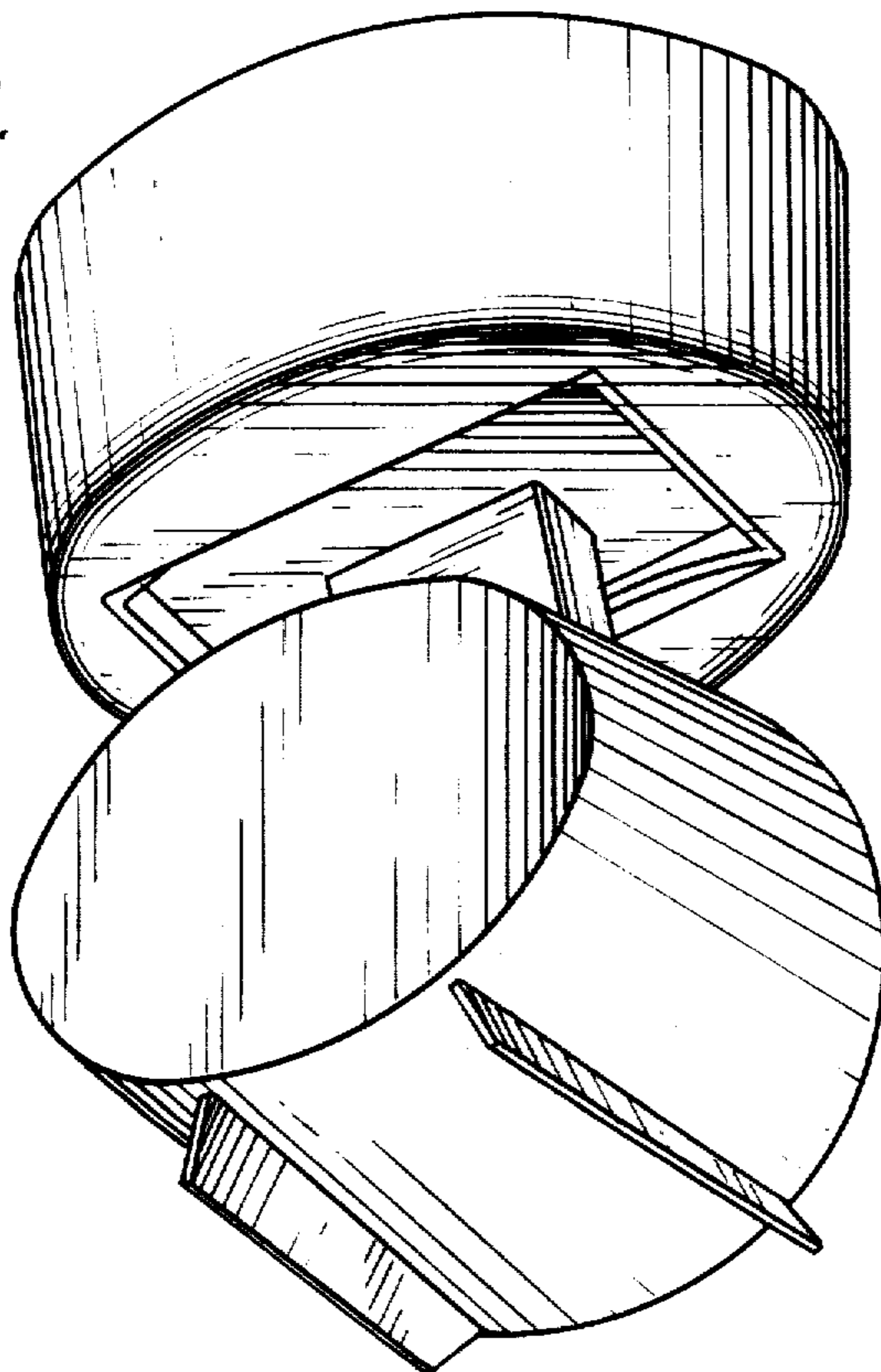


Fig. 3.

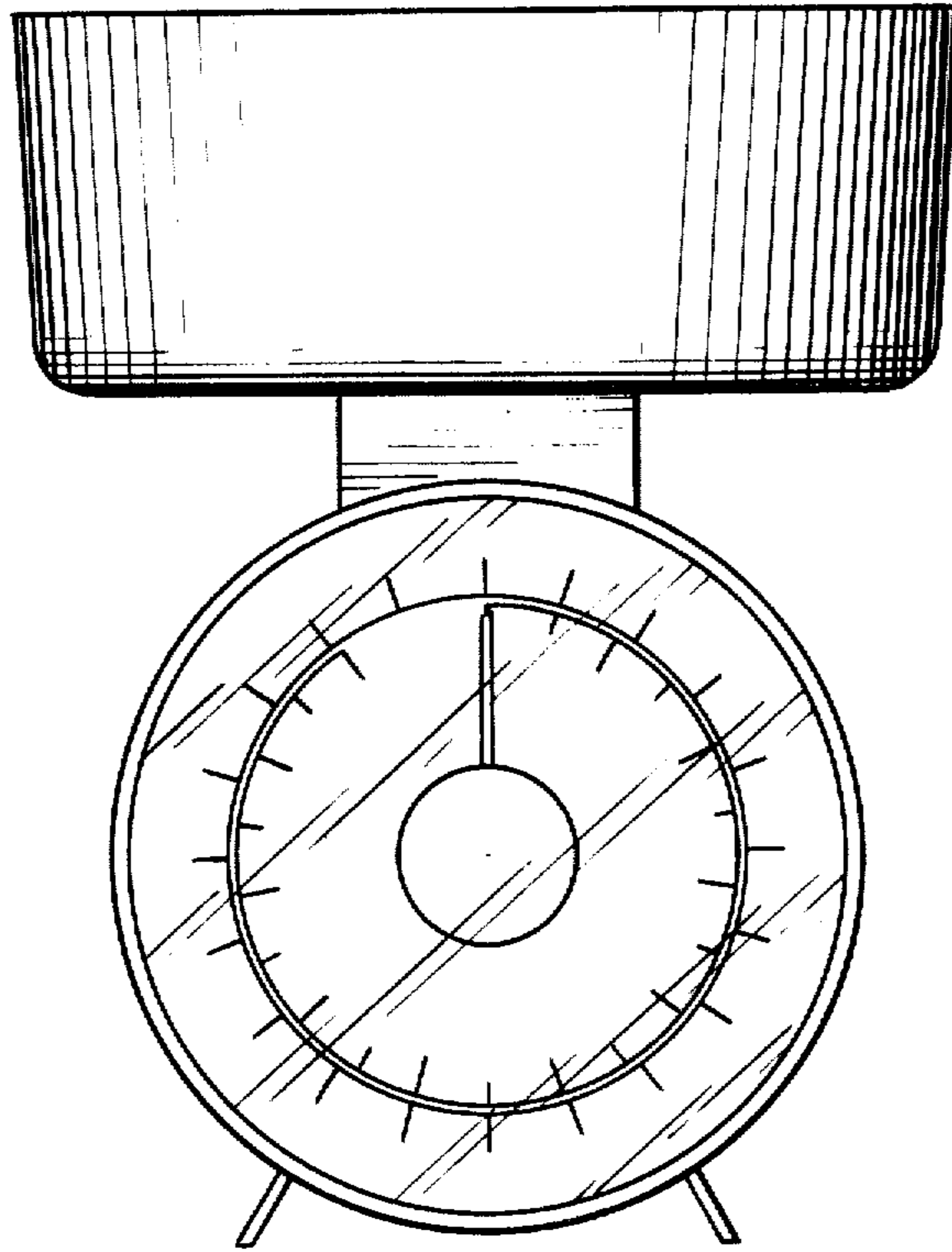


Fig. 4.

